



VALVE AUTOMATION  
ISO 9001 CO.

# SERIES : E Solenoid Valve



**2/2 & 3/2 Way Solenoid Valves**  
High Pressure & High Temperature also available  
Screwed / Flanged / T. C. End also available  
Voltages : 12V, 24V, 48V, 110V, 230V, AC / DC  
Coil Type : General / IP 65 & 67 / IS 2147  
Flamproof / Weather Proof Terminal Junction Box  
Intrinsically Safe Coil



# 2/2 Way Pilot Operated Diaphragm Type Solenoid Valve

Catalogue No.  
APL / 1021



**"aira"**

offers HIGH FLOW Diaphragm type solenoid valves, are specially engineered in the construction of Investment Cast CF8 / CF8M body with Electro Polished for multiple and long lasting operations. valves for the inflammable media / environment / Flamproof / Explosion Proof solenoid coil are available in such application.

**Types :** 1. Normally close - Energised to Open 2. Normally Open - Energised to Close

**Application :** Air, Water, Light Oil, Gas, Light Chemical

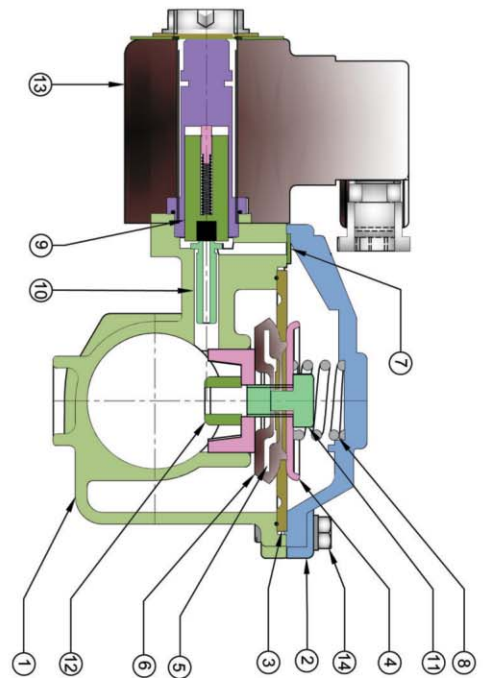
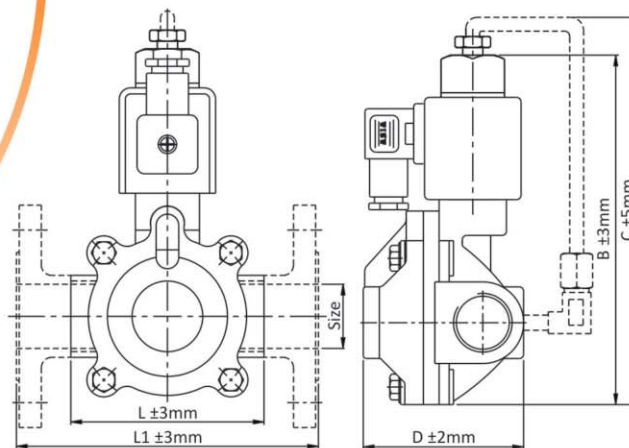
**Size Range :** 1/4" to 6" Screwed / Flanged / Triclover End

### Technical Specifications :

Pressure	0.5 to 10 Bar
Temperature	-5 °C to 85 °C (Upto 120 °C On Request)
Coil Voltage	12V, 24V, 48V, 110V, 230V, AC/DC
Coil Insulation	"F" Class
Coil Rating	Continuous Rated
Ends	S/E, F/E 150# / TC End

### Applications

Textile Processing Machinery, Chemical Plants, Water Treatment, Sugar Machinery, Cement Machinery, Pumps, Irrigation, Combustion Equipment, Heat Exchanger, Air Dryer, Pollution Controls, Landry Equipments and where dependable ON/OFF type control is required.



### Dimensions :

(All Dimensions are in mm)

Valve Model	Valve Size		Flow Factor Kvm <sup>3</sup> /hr	L S / E	L1 F / E	B	C	D	Orifice MM	Weight (Approx.)	
	MM	Inch								S / E	F / E
ISD - 6	6	1/4"	2.5	66	130	128.5	170	55.5	16	0.800	1.200
ISD - 10	10	3/8"	2.5	66	130	128.5	170	55.5	16	0.800	1.200
ISD - 15	15	1/2"	3.5	66	130	128.5	170	55.5	16	0.800	1.200
ISD - 20	20	3/4"	5.0	80	150	136	175.5	65	19	1.100	1.600
ISD - 25	25	1"	11.0	95	160	153	195	81	24	1.400	2.150
ISD - 32	32	1.1/4"	13.0	119	180	163.50	207	98	34.50	2.000	3.300
ISD - 40	40	1.1/2"	20.0	119	200	163.50	207	98	34.50	2.000	3.300
ISD - 50	50	2"	38.0	137	230	184.5	229	116	45	2.900	5.000
ISD - 65	65	2.1/2"	67.6	172	290	201	---	142.5	65	4.200	7.500
ISD - 80	80	3"	97.6	195	310	237.5	---	158	72	5.900	10.050
ISD - 100	100	4"	-	300	350	284.5	---	206	98	13.950	18.850
ISD - 150	150	6"	-	-	-	-	-	-	-	-	-

ON REQUEST

### Solenoid Coil



(for General)



IP - 65 & IS:2147  
(for Weather Proof)



Explosion & Flame Proof Coil [As per IS / IEC 60079-1 standard approved by Central Institute of Mining and Fuel Research (CIMFR)]

No.	Description	Material	Qty.
01	Body	CF8 / CF8M	01
02	Cover	CF8 / CF8M	01
03	Diaphragm	NBR	01
04	Embossed Washer	S.S.304	01
05	Seat Washer	S. S.	01
06	Diaphragm Seat	NBR	01
07	'O' Ring For Cover	NBR	01
08	Spring	S.S.304	01
09	Housing Plunger Set	STD.	01
10	Pilot Seat	Brass	01
11	Hex Pin for Diaphragm	S.S.	01
12	Hex Nut for Diaphragm	S.S.	01
13	Sole. Coil Casing	STD.	01
14	Hex Bolt + Washer	S.S.	06

Note : Since, constant worldwide advancement in technology, We keep our rights reserved to make changes time to time in Technical specifications and Dimensions without prior notice.

Pub. on: January, 2015 (Rev.-01)

# 2/2 Way Pilot Operated Piston Type High Pressure (110 Kg/cm<sup>2</sup>) Solenoid Valve

Catalogue No.  
APL / 1029-B



**"aira"**

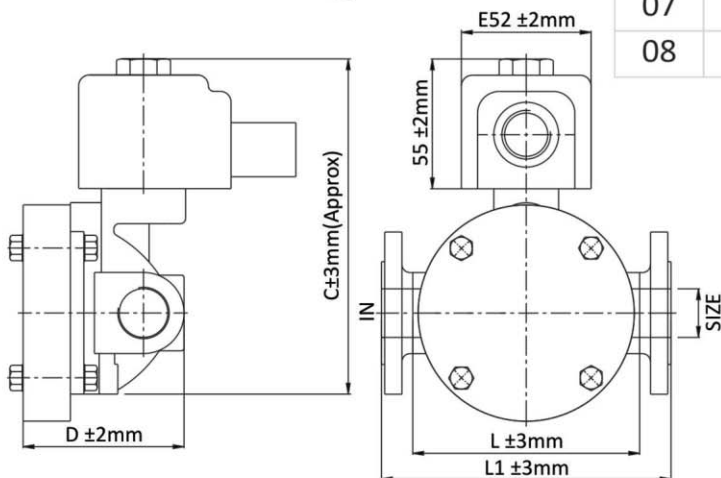
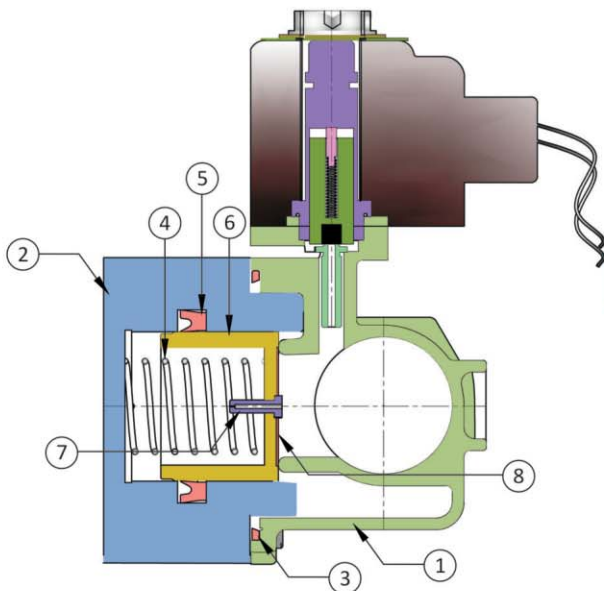
offers HIGH FLOW piston type solenoid valves. are specially engineered in the construction of Investment Cast CF8 / CF8M body for multiple and long lasting operations, especially for HIGH PRESSURE FLUIDS

Size Range : 1/4" to 2" Screwed / Flanged Triclover End

solenoid valves are the best for the inflammable media. The Flameproof Explosion proof solenoid coils are available in such application.

Technical Specifications :	
Pressure	2 To 110 Bar
Temperature	-5 °C to 85 °C (Upto 120 °C On Request)
Coil Voltage	12V, 24V, 48V, 110V, 230V, AC/DC
Coil Insulation	"H" Class
Coil Encloser	IP 67 ( Flame Proof / Explosion Proof as Per IS Meets IEC 60079-1 STD for Class II A, II B, II C Zone
Coil Rating	Continuous Rated
Ends	S/E, F/E 150# / TC End
Media	Hot Water / LD Oil / Air / Water / Corrosive Media

Pressure upto 110 bar



No.	Description	Material	Qty.
01	Body	CF8 / CF8M	01
02	Cover	S.S.304 / S.S.316	01
03	Body Seat	PTFE	01
04	Spring	S.S.304	01
05	V-Seal	VITON	01
06	Piston	S.S.304 / S.S.316	01
07	Piston Bolt	BRASS	01
08	Piston Washer	PEEK	01

### Dimensions : (All dimensions are in MM)

Valve Model	Valve Size		L Screwed	L1 Flanged	C (Approx.)	D	Weight(Approx)	
	Inch	MM					S/E	F/E
HPQX - 6	1/4"	6	65.50	130	139.50	69	-	-
HPQX - 10	3/8"	10	65.50	130	139.50	69	-	-
HPQX - 15	1/2"	15	65.50	130	139.50	69	2.042	-
HPQX - 20	3/4"	20	80	150	147	80	2.665	-
HPQX - 25	1"	25	95	160	163	96	3.665	-
HPQX - 32	1.1/4"	32	119	180	176	127	6.000	-
HPQX - 40	1.1/2"	40	119	200	176	127	5.895	-
HPQX - 50	2"	50	137	230	195	145	9.810	-

Note : Since, constant worldwide advancement in technology, We keep our rights reserved to make changes time to time in Technical specifications and Dimensions without prior notice.

Pub. on: January, 2015 (Rev.-01)

# 2/2 Way Pilot Operated Piston Type High Pressure Solenoid Valve

Catalogue No.  
APL / 1029-A



**"aira"**

offers HIGH FLOW piston type solenoid valves, are specially engineered in the construction of Investment Cast CF8 / CF8M body for multiple and long lasting operations, especially for HIGH PRESSURE FLUIDS valves for the inflammable media / environment / Flamproof / Explosion Proof solenoid coil are available in such application.



Size Range : 1/4" to 2" Screwed / Flanged / Triclover End

### Technical Specifications :

Pressure	2 to 40 Bar
Temperature	90 °C
Coil Voltage	12V, 24V, 48V, 110V, 230V, AC/DC
Coil Insulation	H Class Suitable Upto 140 °C
Coil Encloser	IP 67 ( Flame Proof / Explosion Proof as Per IS IEC 60079-1 STD for Class II A, II B, II C Zone
Coil Rating	Continuous Rated
Ends	S/E, F/E 150# / TC End
Media	Hot Water / LD Oil / Air / Water / Corrosive Media

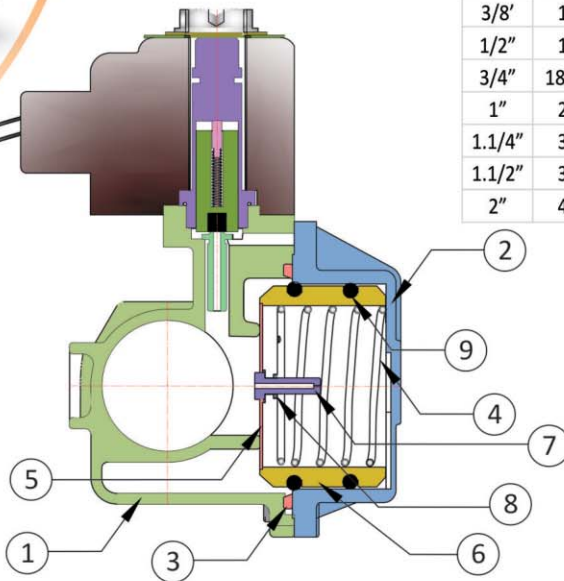
### Technical Specification Table

Size Inch	Orifice mm	Flow factor kv M <sup>3</sup> /hr.	Min. Press. bar	Maximum operating pressure (Bar)					
				AC			DC		
				Air/ Gas	Water	Light Oil	Air/ Gas	Water	Light Oil
1/4"	16	1.8	2	28	26	24	28	26	24
3/8"	16	2.6	2	28	26	24	28	26	24
1/2"	16	3.4	2	28	26	24	28	26	24
3/4"	18.50	5.2	2	32	28	24	32	28	24
1"	24	8.5	2	34	28	17	34	28	17
1.1/4"	34	14.0	2	34	25	17	34	25	17
1.1/2"	34	17.3	2	34	25	22	34	25	22
2"	45	30.5	2	30	25	22	30	25	22

Pressure upto 40 bar

### Caution :

- Do not use in steam media
- Max. Temp. 95 °C for Hot Water
- Avoid Back Pressure
- INSTALLATION OF "FILTER" IN INLET SIDE IS HIGHLY RECOMMENDED

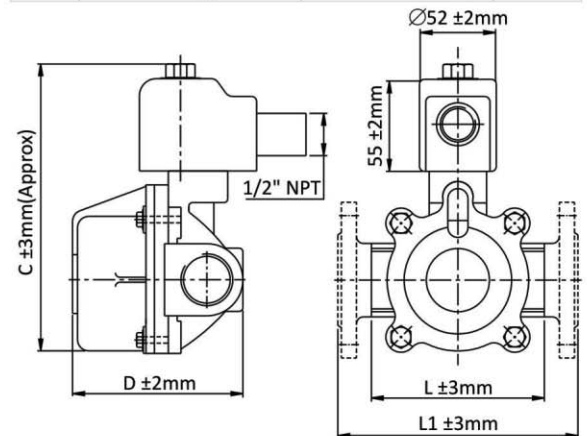


No.	Description	Material	Qty.
01	Body	CF8 / CF8M	01
02	Cover	CF8 / CF8M	01
03	Body Ring	PTFE	01
04	Spring	S.S. 304	01
05	Piston Washer	PTFE	01
06	Piston	CF8 / CF8M	01
07	Piston Bolt	S.S.304	01
08	O-Ring	Viton	01
09	Piston Ring	C.F.T.	02

### Dimensions :

(All Dimensions are in mm)

Valve Model	Valve Size		L	L1	C (Approx)	D	Weight (App.) Kgs.	
	MM	Inch					S/E	F/E
HPSE - 6	6	1/4"	66	130	139.50	68	-	-
HPSE - 10	10	3/8"	66	130	139.50	68	-	-
HPSE - 15	15	1/2"	66	130	139.50	68	1.250	1.650
HPSE - 20	20	3/4"	80	150	148	80	1.600	2.100
HPSE - 25	25	1"	95	160	163	95.5	2.050	2.800
HPSE - 32	32	1.1/4"	119	180	176	114	2.900	4.200
HPSE - 40	40	1.1/2"	119	200	176	114	2.900	4.200
HPSE - 50	50	2"	137	230	195	131.5	4.050	6.150



Note : Since, constant worldwide advancement in technology, We keep our rights reserved to make changes time to time in Technical specifications and Dimensions without prior notice.

Pub. on: January, 2015 (Rev.-01)

# 2/2 Way Pilot Operated Piston Type Steam & High Temperature Solenoid Valve

Catalogue No.  
APL / 1022



**"aira"**

offers HIGH FLOW piston type solenoid valves, are specially engineered in the construction of Investment Cast CF8 / CF8M / CF3M body for multiple and long lasting operations, especially in STEAM & HIGH Temperature FLUIDS. valves for the inflammable media / environment / Flamproof / Explosion Proof solenoid coil are available in such application.

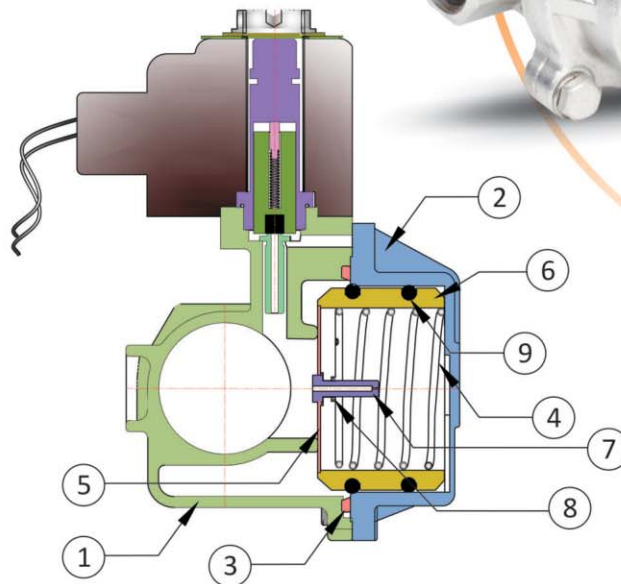
Size Range : 1/4" to 4" Screwed / Flanged / Triclover End

### Technical Specifications :

Pressure	8 PSI to 180 PSI
Temperature	Upto 180 °C
Coil Voltage	12V, 24V, 48V, 110V, 230V, AC/DC
Coil Insulation	"H" Class Suitable Upto 180 °C
Coil Encloser	IP 67 ( Flame Proof / Explosion Proof as Per IS Meets IEC 60079-1 STD for Class II A, II B, II C Zone
Coil Rating	Continuous Rated
Ends	S/E, F/E 150# / TC End
Media	Hot Water / Steam / High Temperature Fluids

### Caution :

- Suitable for Dry Steam
- Hot water temperature limited up to 95 °C only
- Avoid Back Pressure
- INSTALLATION OF "FILTER" IN INLET SIDE IS HIGHLY RECOMMENDED



### Technical Specification Table

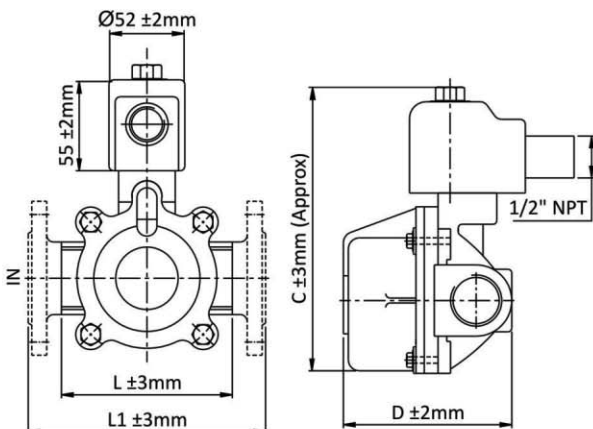
Size Inch	Orifice mm	Flow Factor kvm <sup>3</sup> /hr.	Minimum Pressure Bar	Maximum operating pressure (Bar)	
				Hot Water	Steam
1/4"	10	2.8	1	9	9
3/8"	16	3.4	1	9	9
1/2"	16	4	1	9	9
3/4"	18.5	7	1	9	9
1"	24	12	1	9	9
1.1/4"	34	15	1	9	9
1.1/2"	34	23	1	9	9
2"	45	38	1	9	9

No.	Description	Material	Qty.
01	Body	CF8 / CF8M	01
02	Cover	CF8 / CF8M	01
03	Body Ring	PTFE	01
04	Spring	S.S. 304	01
05	Piston Washer	PTFE	01
06	Piston	CF8 / CF8M	01
07	Piston Bolt	S.S.304	01
08	O-Ring	Viton	01
09	Piston Ring	C.F.T.	02

### Dimensions :

(All Dimensions are in mm)

Valve Model	Valve Size		L Screwed	L1 Flanged	C (Approx)	D	Weight (App.) Kgs.	
	MM	Inch					S/E	F/E
HVS - 6	6	1/4"	66	130	139.5	68	1.450	1.750
HVS - 10	10	3/8"	66	130	139.5	68	1.400	1.700
HVS - 15	15	1/2"	66	130	139.5	68	1.300	1.650
HVS - 20	20	3/4"	80	150	148	80	1.600	2.100
HVS - 25	25	1"	95	160	163	95.5	2.100	2.850
HVS - 32	32	1.1/4"	119	180	176	114	2.850	4.150
HVS - 40	40	1.1/2"	119	200	176	114	2.850	4.150
HVS - 50	50	2"	137	230	195	131.5	4.150	6.250
HVS - 65	65	2.1/2"	172	290	213.5	153	5.700	9.000
HVS - 80	80	3"	---	310	---	---	---	---
HVS - 100	100	4"	---	350	---	---	---	---



Note : Since, constant worldwide advancement in technology, We keep our rights reserved to make changes time to time in Technical specifications and Dimensions without prior notice.

Pub. on: January, 2015 (Rev-01)

# 2/2 Way Semi Lift Diaphragm Operated Low Pressure Solenoid Valve

Catalogue No.  
APL / 1028



**"aira"**

offers 2/2 way semi Lift, high performance diaphragm type solenoid Valves, for high volume and low pressure application in air, gas, water, vacuum, light oil, corrosive fluids. available in normally close and normally open design.

**Size Range : 3/8" to 4" Screwed / Flanged / Triclover End**

**Technical Specifications :**

Pressure Rating	0 to 5 Bar Max. (0 to 6 Bar On Request)
Temperature of Fluid	85 °C Max. (High Temperature On Request)
Coil Voltage	12V, 24V, 48V, 110V, 230V, AC/DC
Coil Insulation	"F" & "H" Class Suitable Upto 140 °C
Coil Encloser Meets	IP 67 ( Flame Proof / Explosion Proof as Per IS IEC 60079-1 STD for Class II A, II B, II C Zone
Coil Ratings	Continuous Rated
Ends	S/E, F/E 150# / TC End

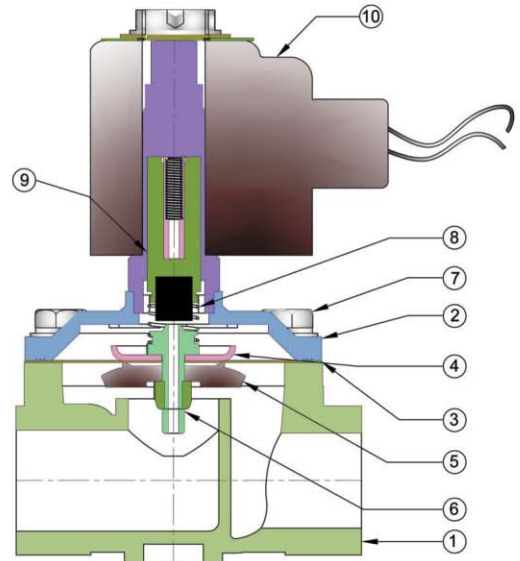
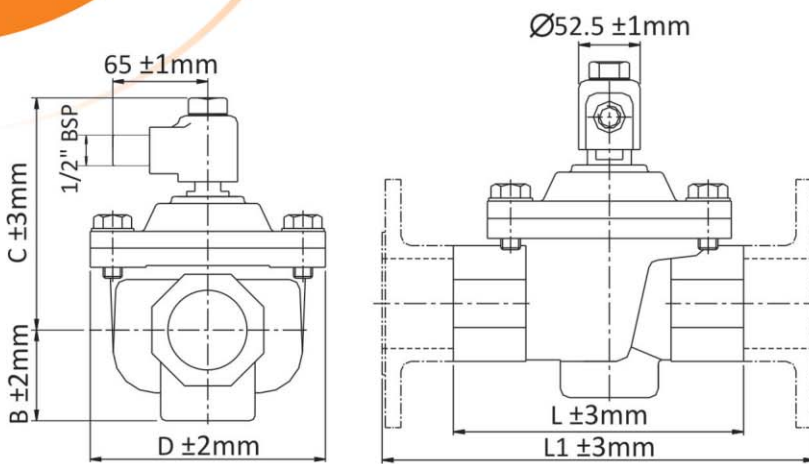
**Suitable For**

Autoclaves, Gas burning equipments, Oil centrifuge plants, Vacuum plants, Pump seal water application, Low pressure water circulation system, solar heating systems, Gas generator etc...



**Technical Specification Table**

Valve Model		Size Inch	Orifice mm	Flow factor kv M <sup>3</sup> /hr.	Minimum Pressure bar	Maximum operating pressure (Bar)					
Teflon Diaphragm	Rubber Diaphragm					AC			DC		
						Air/ Gas	Water	Light Oil	Air/ Gas	Water	Light Oil
GTD - 10	GSD - 10	3/8'	16	2.6	0	6	4.0	3.0	6	5.0	3.0
GTD - 15	GSD - 15	1/2"	16	3.4	0	6	4.0	3.0	6	5.0	3.0
GTD - 20	GSD - 20	3/4"	19.25	4.3	0	6	3.5	3.0	6	4.0	3.0
GTD - 25	GSD - 25	1"	25	10.3	0	6	3.5	2.0	6	4.0	2.5
GTD - 40	GSD - 40	1.1/2"	35	19.3	0	5	3	2.0	5	4.0	2.0
GTD - 50	GSD - 50	2"	45	32.5	0	4	3	2.0	4	3.0	2.0



**Dimensions :**

(All Dimensions are in mm)

Valve Model	Valve Size		L Screwed	L1 Flanged	B	C	D	Weight (App.) Kgs.	
	MM	Inch						S/E	F/E
GSD / GTD - 10	10	3/8"	66	130	16	112	57	1.050	1.500
GSD / GTD - 15	15	1/2"	66	130	16	112	57	1.000	1.400
GSD / GTD - 20	20	3/4"	80	150	21	113	67	1.200	1.700
GSD / GTD - 25	25	1"	97	160	29	121	82	1.500	2.250
GSD / GTD - 40	40	1.1/2"	118	200	35	132	99	2.050	3.350
GSD / GTD - 50	50	2"	137	230	43	146	120	3.100	5.200
GSD / GTD - 65	65	2.1/2"	172	290	57.5	166.5	145	6.100	9.400
GSD / GTD - 80	80	3"	195	310	----	----	----	----	----
GSD / GTD - 100	100	4"	300	350	79	195	215.5	----	----

No.	Description	Material	Qty.
01	Body	CF8 / CF8M	01
02	Cover	CF8 / CF8M	01
03	Diaphragm	NBR, PTFE	01
04	Embossed Washer	S.S. 304	01
05	Diaphragm Seat	NBR, PTFE	01
06	Pilot Pin + Nut	S.S. 304	01
07	Hex Bolt + Washer	S.S.	04
08	Taper Spring	S.S. 304	01
09	Housing Set	STD.	10
10	Sol. Coil Body	STD.	01

Note : Since, constant worldwide advancement in technology, We keep our rights reserved to make changes time to time in Technical specifications and Dimensions without prior notice.

Pub. on: January, 2015 (Rev.-01)

# 2/2 Way Semi Lift Diaphragm Solenoid Valve

Catalogue No.  
APL / 2021



**"aira"**

offers 2/2 way semi pilot, high performance diaphragm type solenoid Valves, for high volume and low pressure application in air, gas, water, vacuum, light oil, corrosive fluids. available in normally close and normally open design.

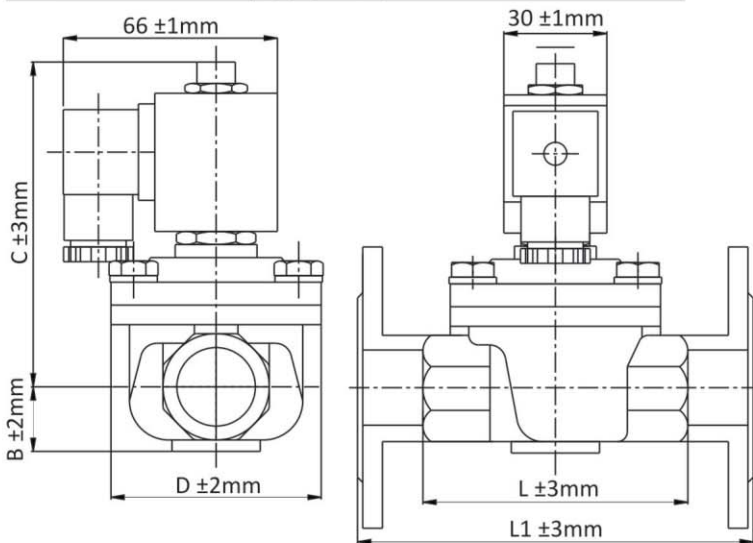
Size Range : 3/4" & 1" Screwed / Flanged

### Technical Specifications :

Pressure Rating	0 to 5 Bar Max. (0 to 6 Bar On Request)
Temperature of Fluid	85 °C Max. (High Temperature On Request)
Coil Voltage	12V, 24V, 48V, 110V, 230V, AC/DC
Coil Insulation	"F" Class
Coil Encloser Meets	IP 67 ( Flame Proof / Explosion Proof as Per IS IEC 60079-1 STD for Class II A, II B, II C Zone
Coil Ratings	Continuous Rated
Ends	S/E, F/E 150# / TC End

### Suitable For

Autoclaves, Gas burning equipments, Oil centrifuge plants, Vacuum plants, Pump seal water application, Low pressure water circulation system, solar heating systems, Gas generator etc...

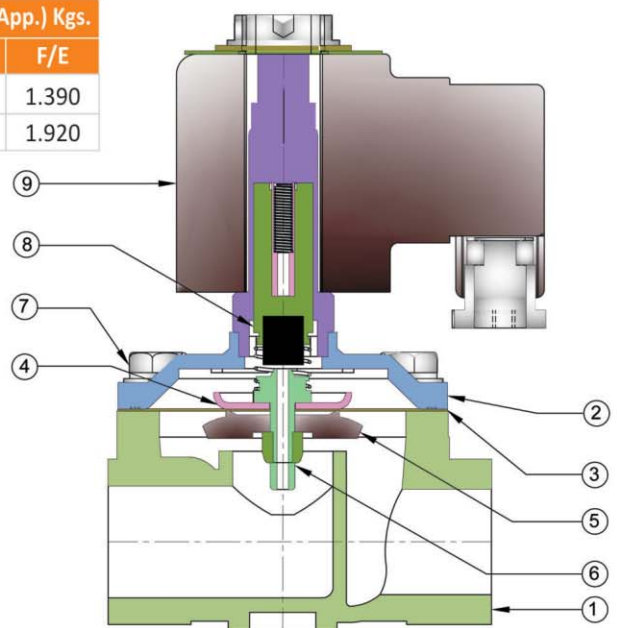


### Dimensions :

(All Dimensions are in mm)

Valve Model	Valve Size		L Screwed	L1 Flanged	B	C	D	Weight (App.) Kgs.	
	MM	Inch						S/E	F/E
SGD - 20	20	3/4"	80	150	23	99.50	67	0.890	1.390
SGD - 25	25	1"	97	160	29	108.50	82	1.170	1.920

No.	Description	Material	Qty.
01	Body	CF8 / CF8M	01
02	Cover	CF8 / CF8M	01
03	Diaphragm	NBR	01
04	Embossed Washer	S. S. 304	01
05	Diaphragm Seat	NBR	01
06	Pilot Pin + Nut	S. S. 304	01
07	Hex Bolt + Washer	S. S.	01
08	Housing Set	STD.	01
09	Solenoid Coil	STD.	02



Note : Since, constant worldwide advancement in technology, We keep our rights reserved to make changes time to time in Technical specifications and Dimensions without prior notice.

Pub. on: January, 2015 (Rev.-01)

# 1/2 Way Direct Acting Solenoid Valve

Catalogue No.  
APL / 1020

"aira"

solenoid valves are the best for the inflammable media. The Flame Proof Explosion proof solenoid coil are available in such application.

Size Range : 1/4", 3/8" & 1/2" BSP / NPT

Type : Normally Close ( N / C ) / Normally Open ( N / O )

- Compact design light weight & long durability.
- Constructed from advanced technology & design.
- Easy installation, universal mounting.

**GROUP- I**  
Suitable for  
0 to 10 Kg/Cm<sup>2</sup>

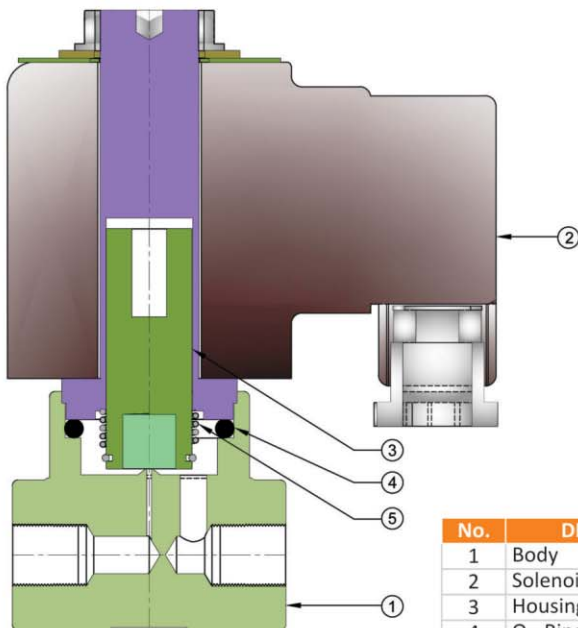
**GROUP- II**  
Suitable for  
2, 10, 35 & 70 Kg/ Cm<sup>2</sup>

### Technical Specification

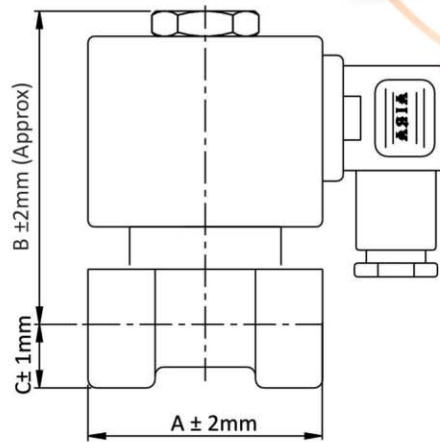
Temperature of fluid	-5 °C to 85 °C (High Temperature On Request)
Coil Voltage	12V, 24V, 48V, 110V, 230V AC / DC
Media	Air / Gas/ Oil / Water / Chemical

### Technical Specification Table

Group	Model	Type	Size	Position	Orifice	Pressure
Group - I	BSD - I	2/2 Way	1/4", 1/2"	N/C	2.5mm	10Kg
Group - I	SBD - I	2/2 Way	1/4"	N/C	2.5mm	10Kg
Group - I	BUD - I	3/2 Way	1/4", 1/2"	N/C	1.2mm	10Kg
Group - I	UBD - I	3/2 Way	1/4"	N/C	1.2mm	7Kg
Group - II	BBC - II	2/2 Way	1/4", 3/8", 1/2"	N/C	4mm	10Kg
Group - II	BBC - II	2/2 Way	1/4", 3/8", 1/2"	N/C	2.2mm	35Kg
Group - II	BBC - II	2/2 Way	1/4", 3/8", 1/2"	N/C	1.2mm	70Kg
Group - II	BBC - II	2/2 Way	1/2"	N/C	1.5mm	2Kg
Group - II	BBS - II	3/2 Way	1/4", 3/8", 1/2"	N/C	4mm	10Kg
Group - II	BBS - II	3/2 Way	1/4", 3/8", 1/2"	N/C	2.2mm	35Kg
Group - II	BBS - II	3/2 Way	1/4", 3/8", 1/2"	N/C	1.2mm	70Kg



No.	DESCRIPTION	MATERIAL	QTY
1	Body	Brass	01
2	Solenoid Coil Casting	STD.	01
3	Housing	STD.	01
4	O - Ring	NBR / Viton	01
5	Spring	SS 304	01



Dimensions : (All dimensions are in MM)

SIZE		Group-I			
MM	Inch	A	B	C	Weight
6	1/4"	41	75	9.4	0.300
10	3/8"	---	---	---	---
15	1/2"	50	82	13.8	0.400

Dimensions : (All dimensions are in MM)

SIZE		Group-II			
MM	Inch	A	B	C	Weight
6	1/4"	50	100	14	0.950
10	3/8"	50	100	14	0.900
15	1/2"	50	100	14	0.900



Note : Since, constant worldwide advancement in technology, We keep our rights reserved to make changes time to time in Technical specifications and Dimensions without prior notice.

Pub. on: January, 2015 (Rev-01)



## 2/2 Way Pilot Operated Diaphragm Solenoid Valve

Catalogue No.  
APL / 2022



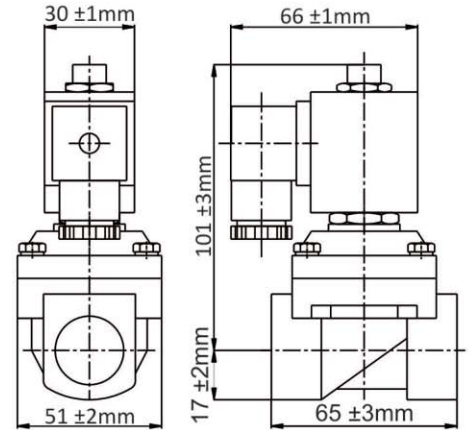
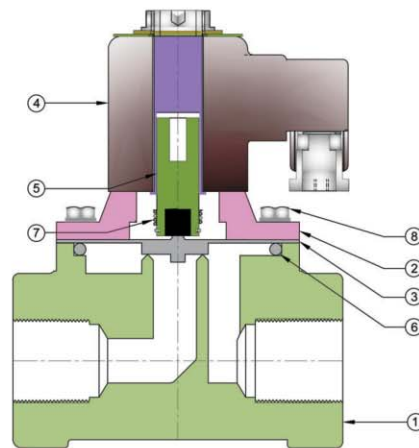
**"aira"**

For Steam and hot water application upto 5 bar pressure NORMALLY CLOSED, ENERGISED TO OPEN

Size Range : 3/4"

### Technical Specifications :

Pressure	0 to 5 Kg/cm <sup>2</sup>
Temperature	85 °C
End Connection	Screwed End (BSP)
Coil Voltage	12V, 24V, 48V, 110V, 230V, AC/DC
Coil Insulation	Class "F"
Media	Air, Water & Gas



No.	Description	Material	Qty.
01	Body	CF8 / CF8M	01
02	Cover	CF8 / CF8M	01
03	Diaphragm	NBR	01
04	Solenoid Coil	STD.	01
05	Housing Set	STD.	01
06	'O' - Ring	NBR	01
07	Spring	S. S. 304	01
08	Hex Bolt with Washer	S. S. 202	04

## 2/2 Way Direct Acting Solenoid Valve

Catalogue No.  
APL / 2023



**"aira"**

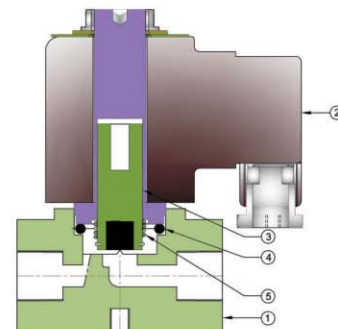
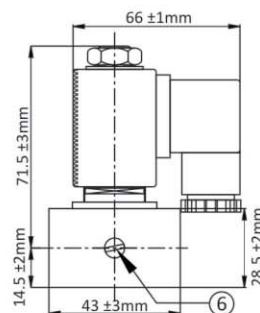
For Air and water application upto 9 bar pressure NORMALLY CLOSED, ENERGISED TO OPEN

Size Range : 1/4"

### Technical Specifications :

Model	RMO
Pressure	0 to 9 Kg/cm <sup>2</sup>
Orifice	1.2 mm
Temperature	85 °C
Coil Voltage	12V, 24V, 48V, 110V, 230V, AC/DC
Coil Insulation	Class "F"
End Connection	Screwed End (BSP)

No.	Description	Material	Qty.
01	Body	Alluminium, Brass, CF8	01
02	Solenoid Coil	STD.	01
03	Housing Set	STD.	01
04	'O' - Ring	NBR	01
05	Spring	S. S. 304	01
06	M O Pin	S. S. 304	01



Note : Since, constant worldwide advancement in technology, We keep our rights reserved to make changes time to time in Technical specifications and Dimensions without prior notice.

Pub. on: January, 2015 (Rev.-01)

# 2/2 Way Direct Acting Solenoid Valve

Catalogue No.  
APL / 2024



Offers 2/2 way direct acting solenoid valves are the best for the inflammable media. The Flameproof Explosion proof solenoid coils are available in such application.

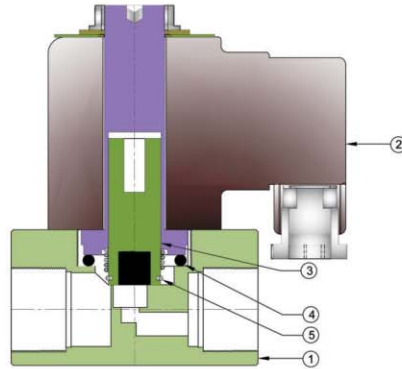
Size Range : 1/2" Screwed

Type : Normally Close

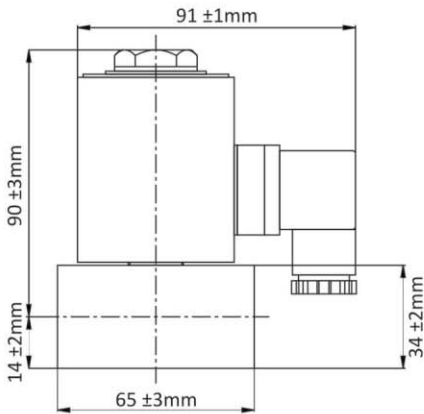
### Technical Specifications :

Model	"AGR - 62"
Pressure	0 to 2.5 Kg/cm <sup>2</sup>
Temperature	85 °C
Orifice	6 mm
End Connection	Screwed End (BSP)
Coil Voltage	12V, 24V, 48V, 110V, 230V, AC/DC
Coil Insulation	Class "F"

- Compact design light weight & long durability.
- Constructed from advance technology & design.
- 600 Operation per minute.
- Easy installation, Universal mounting.



No.	Description	Material	Qty.
01	Body	Alluminium, Brass, CF8	01
02	Solenoid Coil	STD.	01
03	Housing Set	STD.	01
04	'O' - Ring	NBR	01
05	Spring	S. S. 304	01



# 2/2 Way Direct Acting Solenoid Valve

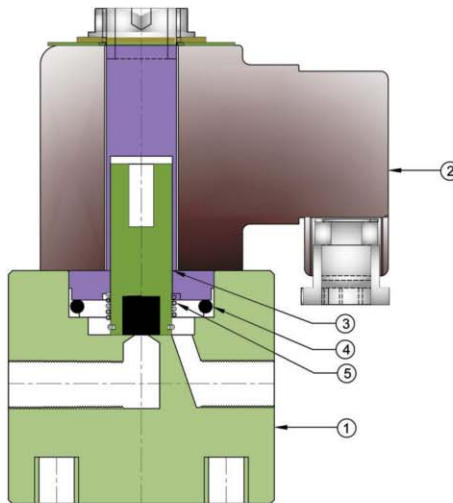
Catalogue No.  
APL / 2025



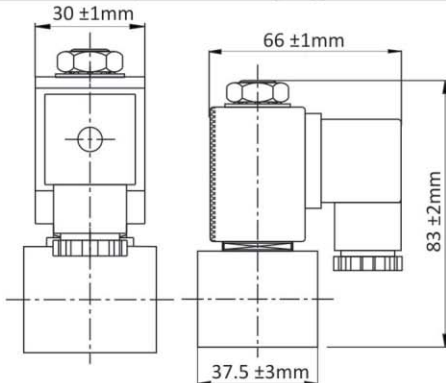
Size Range : 1/4"

### Technical Specifications :

Model	"AGR - 41"
Pressure	0 to 6 Kg/cm <sup>2</sup>
Orifice	4 mm
Temperature	85 °C
Coil Voltage	12V, 24V, 48V, 110V, 230V, AC/DC
Coil Insulation	Class "F"
End Connection	Screwed End (BSP)



No.	Description	Material	Qty.
01	Body	Alluminium, Brass, CF8	01
02	Solenoid Coil	STD.	01
03	Housing Set	STD.	01
04	'O' - Ring	NBR	01
05	Spring	S. S. 304	01



Note : Since, constant worldwide advancement in technology, We keep our rights reserved to make changes time to time in Technical specifications and Dimensions without prior notice.

Pub. on: January, 2015 (Rev.-01)

# 2/2 Way Semi Steam Direct Acting Solenoid Valve

Catalogue No.  
APL / 1035



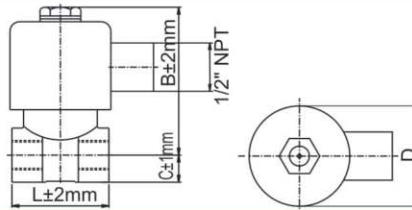
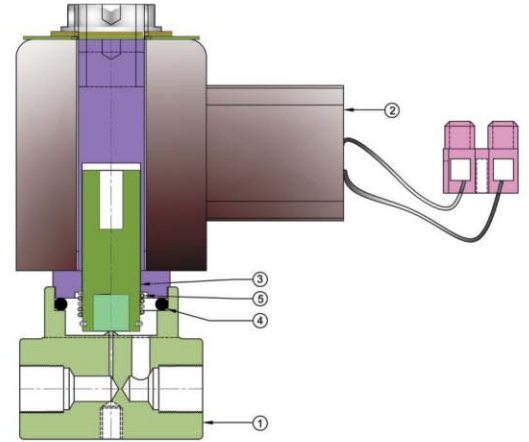
## "aira"

Offers 2/2 way direct acting solenoid valves are the best for the inflammable media. The Flameproof Explosion proof solenoid coils are available in such application.

Size Range : 1/4" & 1/2" Screwed BSP / NPT

### Technical Specifications :

Pressure	0 to 12 Kg/cm <sup>2</sup>
Temperature	Upto 150 °C
Port Size	2.5 mm
End Connection	Screwed End (BSP)
Coil Voltage	12V, 24V, 48V, 110V, 230V, AC/DC
Coil Insulation	Class "H"
Media	Oil / Water / Chemical / Steam Hot Water



Dimensions : (All dimensions are in MM)

Valve Model	Valve Size		L	B	C	D	Weight (Approx) Kgs.
	MM	Inch					
SSDA - 6	6	1/4"	41	71.5	9.5	51.9	0.450
SSDA -15	15	1/2"	50	100	14	51.9	0.450

No.	Description	Material	Qty.
01	Body	Brass, CF8	01
02	Solenoid Coil	STD.	01
03	Housing Set	STD.	01
04	'O' - Ring	NBR	01
05	Spring	S. S. 304	01

# 2/2 Way Pilot Operated Direct Acting Solenoid Valve

Catalogue No.  
APL / 1036



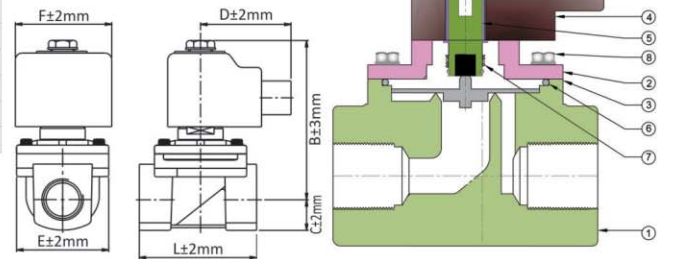
## "aira"

For Steam and hot water application upto 10 bar pressure NORMALLY CLOSED, ENERGISED TO OPEN

Size Range : 1/4" & 1/2"

### Technical Specifications :

Model	WSV
Pressure	0 to 9 Kg/cm <sup>2</sup>
Orifice	1.2 mm
Temperature	Steam : 150 °C Hot Water : 95 °C
Coil Insulation	Class "H"
End Connection	Screwed End (BSP)



Dimensions : (All dimensions are in MM)

Valve Model	Valve Size		L	B	C	D	Weight (Approx) Kgs.
	MM	Inch					
WSV - 6	6	1/4"	41	71.5	9.5	51.9	0.450
WSV -15	15	1/2"	50	100	14	51.9	0.450

No.	Description	Material	Qty.
01	Body	CF8 / CF8M	01
02	Cover	CF8 / CF8M	01
03	Diaphragm	Glass Field Seat	01
04	Solenoid Cover	STD.	01
05	Housing Set	STD.	01
06	'O' - Ring	NBR	01
07	Spring	S. S. 304	01
08	Cover Fitting + Bolt with Washer	S. S.	01

Note : Since, constant worldwide advancement in technology, We keep our rights reserved to make changes time to time in Technical specifications and Dimensions without prior notice.

Pub. on: January, 2015 (Rev.-01)

# 2/2 Way Angle Type Dust Collector Pulse Valve

Catalogue No.  
APL / 1028



"aira"

Offers high performance diaphragm operated pulse and pilot solenoid valves with threaded ports. Available with integral pilot or as remotely pilot valves. Out let at 90° to inlet. The pulse valves have just one moving part, the Springless construction of diaphragm providing fast ON-OFF operation. This high speed operation saves compressed air and provides kind of shock wave necessary to free the dust from filter bags.

Size Range : 1/2" to 1" Screwed

Suitable For :

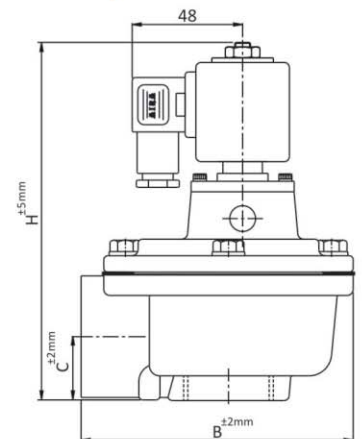
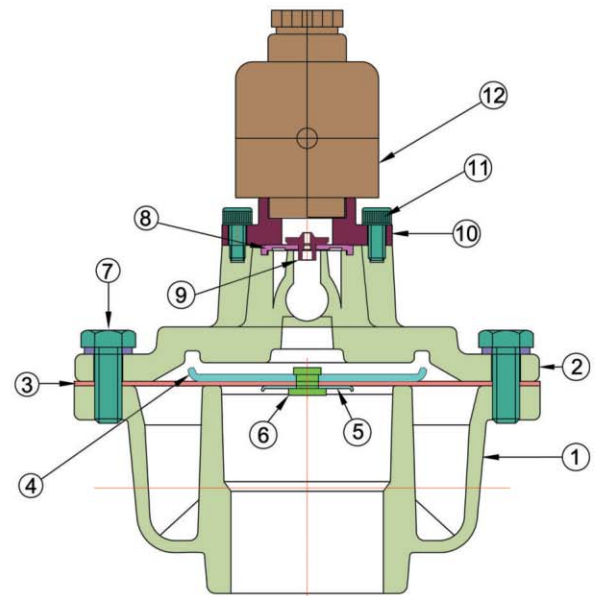
Dust collector application, in particular for reverse pulse jet filter cleaning including bag filters, cartridge filters, envelope filters, ceramic filters and sintered metal fiber filters.

### Technical Specifications :

Pressure Rating	0.6 to 8.5 Bar Max
Temperature	Rated for 80 °C max. For high temperature upto 125 °C Viton Diaphragm with Viton seat can be provide
Coil Voltage	12V, 24V, 48V, 110V, 230V, AC/DC
Coil Insulation	"F" Class
Coil Encloser	IP 67 ( Flame Proof / Explosion Proof as Per IS Meets
Meets	IEC 60079-1 STD for Class II A, II B, II C Zone
Coil Rating	Continuous Rated



No.	Description	Material	Qty.
01	BODY	ALLUMINIUM	01
02	COVER	ALLUMINIUM	01
03	DIAPHRAGM	NBR	01
04	BIG WASHER	S.S.304	01
05	SMALL WASHER	S.S.304	01
06	RIVETING PIN	S.S.304	01
07	HEX BOLT + WASHER	S.S.	06
08	SMALL DIAPHRAGM	NBR	01
09	DIAPHRAGM PIN	BRASS	01
10	ADAPTOR	ALLUMINIUM	01
11	HEX BOLT + WASHER	S.S.	02
12	COIL	STD.	01



### Dimensions :

(All Dimensions are in mm)

Valve Model	Valve Size		Orifice	B	C	H	Flow Factor RVM <sup>3</sup> / Hr	Weight (App.) Kgs.
	MM	Inch						
ASDA - 15	15	1/2"	29	89.5	24	131.5	11	0.700
ASDA - 20	20	3/4"	29	89.5	24	131.5	17	0.650
ASDA - 25	25	1"	29	89.5	23	131.5	43	0.600

Note : Since, constant worldwide advancement in technology, We keep our rights reserved to make changes time to time in Technical specifications and Dimensions without prior notice.

Pub. on: January, 2015 (Rev.-01)



www.airaindia.com / www.airaeuro.com



# 2/2 Way Angle Type Dust Collector Union Type Pulse Valve

Catalogue No.  
APL / 2037



**"aira"**

Offers high performance diaphragm operated pulse and pilot solenoid valves with threaded ports. Available with integral pilot or as remotely pilot valves. Out let at 90° to inlet. The pulse valves have just one moving part, the Springless construction of diaphragm providing fast ON-OFF operation. This high speed operation saves compressed air and provides kind of shock wave necessary to free the dust from filter bags.

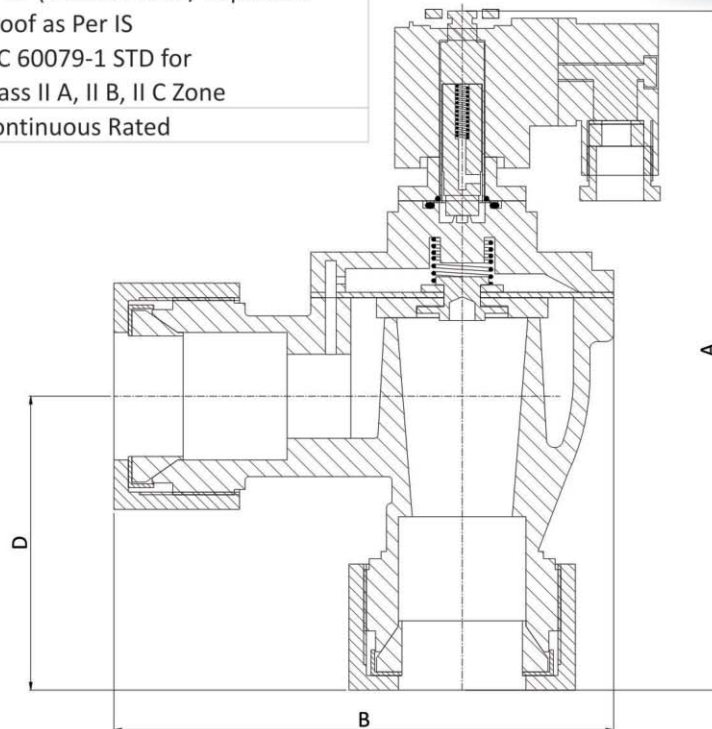
Size Range : 1" to 1.1/2" Screwed

Suitable For :

Dust collector application, in particular for reverse pulse jet filter cleaning including bag filters, cartridge filters, envelope filters, ceramic filters and sintered metal fiber filters.

### Technical Specifications :

Pressure Rating	0.6 to 8.5 Bar Max
Temperature	Rated for 80 °C max. For high temperature upto 125 °C Viton Diaphragm with Viton seat can be provide
Coil Voltage	12V, 24V, 48V, 110V, 230V, AC/DC
Coil Insulation	"F" Class
Coil Encloser Meets	IP 67 ( Flame Proof / Explosion Proof as Per IS IEC 60079-1 STD for Class II A, II B, II C Zone
Coil Rating	Continuous Rated



### Dimensions : (All Dimensions are in mm)

Valve Model	Valve Size		A	B	D
	MM	Inch			
ASDD-25	25	1"	185	127	83
ASDD-40	40	1.1/2"	236	178	92

Note : Since, constant worldwide advancement in technology, We keep our rights reserved to make changes time to time in Technical specifications and Dimensions without prior notice.

Pub. on: January, 2015 (Rev.-01)

# 2/2 Way Angle Type Dust Collector Pulse Valve

Catalogue No.  
APL / 2038



"aira"

Offers high performance diaphragm operated pulse and pilot solenoid valves with threaded ports. Available with integral pilot or as remotely pilot valves. Out let at 90° to inlet. The pulse valves have just one moving part, the Springless construction of diaphragm providing fast ON-OFF operation. This high speed operation saves compressed air and provides kind of shock wave necessary to free the dust from filter bags.

Size Range : 1/2" to 3" Screwed

### Technical Specifications :

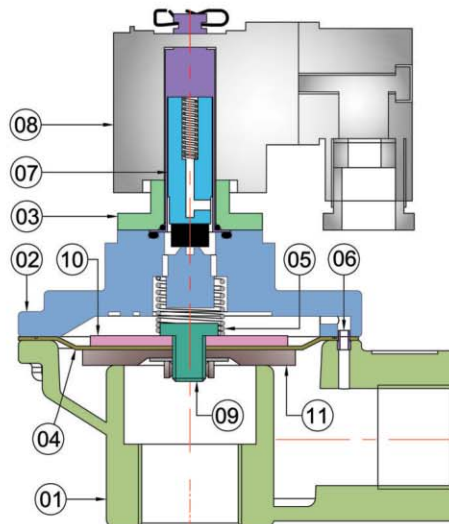
Pressure Rating	0.6 to 8.5 Bar Max
Temperature	Rated for 80 °C max. For high temperature upto 125 °C Viton Diaphragm with Viton seat can be provide
Coil Voltage	12V, 24V, 48V, 110V, 230V, AC/DC
Coil Insulation	"F" Class
Coil Encloser	IP 67 ( Flame Proof / Explosion Proof as Per IS
Meets	IEC 60079-1 STD for Class II A, II B, II C Zone
Coil Rating	Continuous Rated



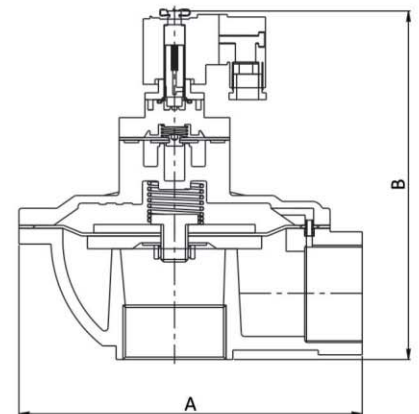
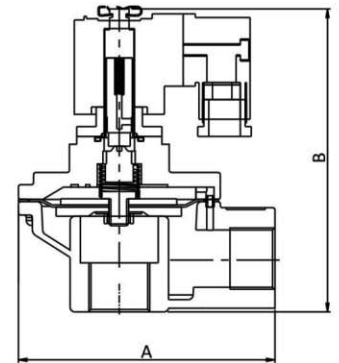
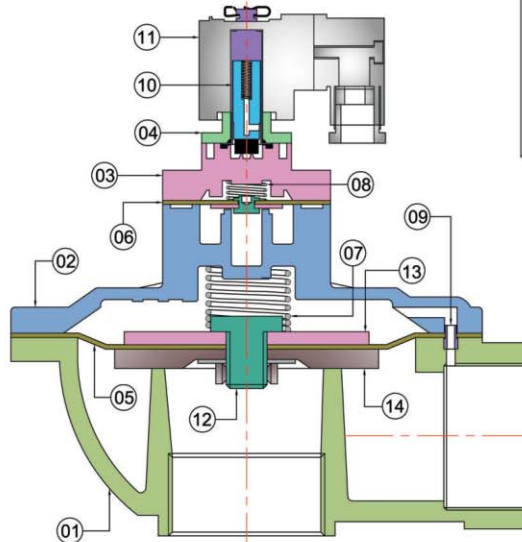
No.	Description	Material	Qty.
01	Body	Aluminium	01
02	Cover	Aluminium	01
03	Adapter	Aluminium	01
04	Diaphragm	NBR / Viton	01
05	Spring	S. S. 304	01
06	Brass Pin	Brass	01
07	Plunger	STD	01
08	Coil	STD	01
09	Bolt	S. S. 304	01
10	Flat Washer	Aluminium	01
11	Gasket	NBR	01

No.	Description	Material	Qty.
01	Body	Aluminium	01
02	Big Cover	Aluminium	01
03	Small Cover	Aluminium	01
04	Adapter	Aluminium	01
05	Big Diaphragm	NBR / Viton	01
06	Small Diaphragm	NBR / Viton	01
07	Big Diaphragm Spring	S. S. 304	01
08	Small Diaphragm Spring	S. S. 304	01
09	Brass Pin	Brass	01
10	Plunger	STD.	01
11	Coil	STD.	01
12	Diaphragm Bolt	STD.	01
13	Flat Washer	Aluminium	01
14	Gasket	NBR	01

### Single Diaphragm



### Double Diaphragm



Dimensions : (All dimenisons are in MM)

Valve Model	Valve Size		A	B
	Orifice	Inch		
QSDA-15	15	1/2"	102	125
QSDA-20	20	3/4"	105	125
QSDA-25	25	1"	105	123.5
QSDA-35	35	1.1/2"	120	143
QSDA-45	45	1.1/2"	138	175
QSDA-50	50	2"	205	205
QSDA-62	62	2.1/2"	210	222
QSDA-76	76	3"	230	245

Note : Since, constant worldwide advancement in technology, We keep our rights reserved to make changes time to time in Technical specifications and Dimensions without prior notice.

Pub. on: January, 2015 (Rev.-01)