

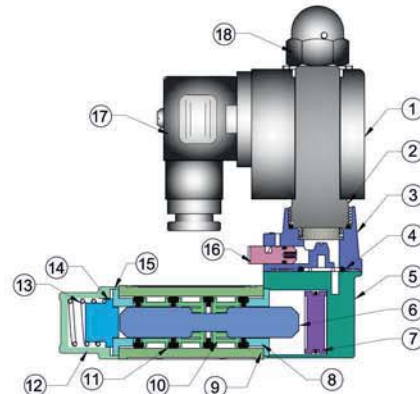
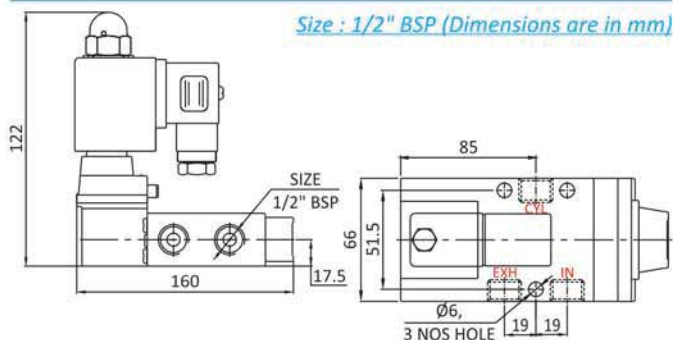
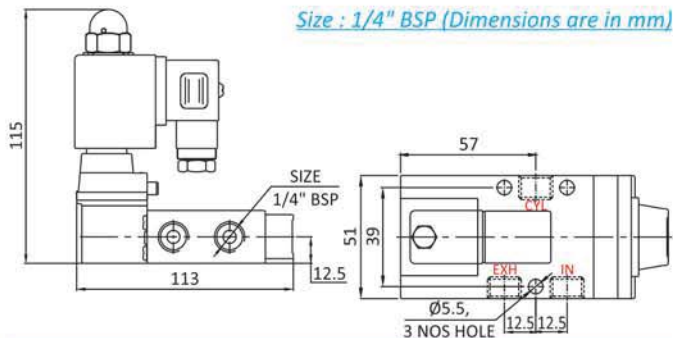
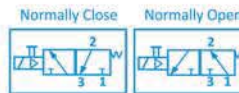
3/2 Way Single Solenoid Valve

Features

- ▶▶ Heavy & Durable design.
- ▶▶ Aluminum Die Cast Standard Grade with Powder Coating.
- ▶▶ Hard Chrome Plated spool for rust free smooth and long life cycle.
- ▶▶ Coil - Continuous duty low power consumption, CIMFR & CE Approved.
- ▶▶ Superior High Grade Seals
- ▶▶ Simple design easy to maintenance
- ▶▶ Manual Operator Push, Rotate & Lockable type.

Technical Specification

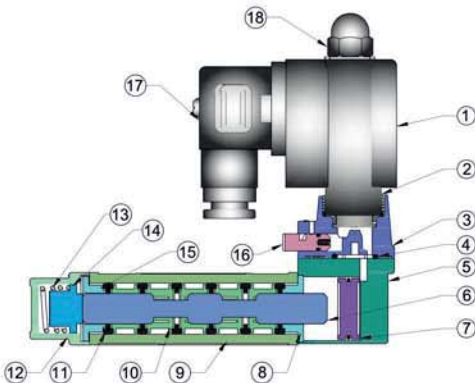
Model	2ARMSS - 302	2ARMSS - 304
Size	1/4"	1/2"
Orifice	6.5	12.5
Design	Spool type, Internal Pilot Operated (External Pilot On Request)	
Pressure	2.5 to 10 Kg/cm ²	
Temperature	80 °C	
Leakage	Bubble Tight	
Duty Cycle	Continuous Rated	
Protection	IP 65 [Flameproof / Explosion Proof As Per IS / IEC 60079 - 1 Standard Approved by Central Institute of Mining and Fuel Research (CIMFR)]	
Connector	DIN 43650 A	
Response Time	15 msec ON / 25 msec OFF	
Coil Voltage	12V, 24V, 48V, 110V, 230V, (AC / DC) 50 / 60 Hz (Non Std. Voltage Available On Request)	
Media	Compressed Air (Filtered & Lubricated)	
Flow (NLPM) at 5 BAR	1100	3000
Weight (Kg)	0.660	1.190



No.	Part Name	Material
1	Coil	Std. Material
2	Armature Assembly	S. Steel
3	Armature Jet Body	Zinc Pressure Die Cast
4	'O' Ring	Hi - Nitrile
5	Top Cover	Zinc Pressure Die Cast
6	Spool	EN8 Hardchrome Plated
7	Piston	Aluminum
8	Collar Washer	Polyacetal
9	Body	Aluminum Pressure Die Cast
10	Cage	Polyacetal
11	'T' Ring	Hi - Nitrile
12	End Cover	Aluminum Pressure Die Cast
13	Spring	S. Steel
14	Stopper	Aluminum
15	Collar Washer	Polyacetal
16	Push Button	Brass
17	Connector	DIN 43650A
18	Cap Nut	Steel Nickle Plated

Note : Since, constant worldwide advancement in technology, We keep our rights reserved to make changes time to time in Technical Specification and Dimensions without prior notice.

5/2 Way Single Solenoid Valve



No.	Part Name	Material
1	Coil	Std. Material
2	Armature Assembly	S. Steel
3	Armature Jet Body	Zinc Pressure Die Cast
4	'O' Ring	Hi - Nitrile
5	Top Cover	Zinc Pressure Die Cast
6	Spool	EN8 Hardchrome Plated
7	Piston	Aluminum
8	Collar Washer	Polyacetal
9	Body	Aluminum Pressure Die Cast
10	Cage	Polyacetal
11	'T' Ring	Hi - Nitrile
12	End Cover	Aluminum Pressure Die Cast
13	Spring	S. Steel
14	Stopper	Aluminum
15	Collar Washer	Polyacetal
16	Push Button	Brass
17	Connector	DIN 43650A
18	Cap Nut	Steel Nickle Plated

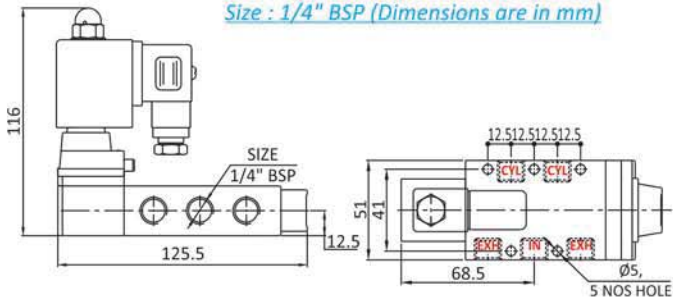
Features

- ▶▶ Heavy & Durable design.
- ▶▶ Aluminum Die Cast Standard Grade with Powder Coating.
- ▶▶ Hard Chrome Plated spool for rust free smooth and long life cycle.
- ▶▶ Coil - Continuous duty low power consumption, CIMFR & CE Approved.
- ▶▶ Superior High Grade Seals
- ▶▶ Simple design easy to maintenance
- ▶▶ Manual Operator Push, Rotate & Lockable type.

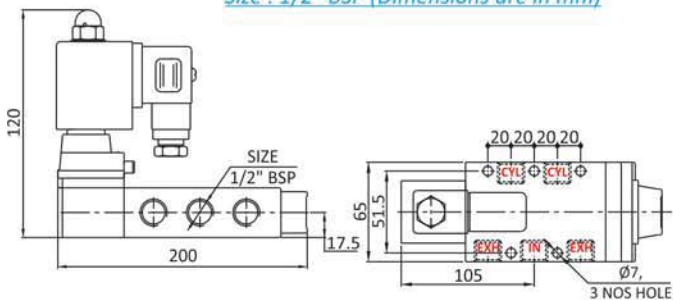
Technical Specification

Model	2ARMSS - 302	2ARMSS - 304
Size	1/4"	1/2"
Orifice	6.5	12.5
Design	Spool type, Internal Pilot Operated (External Pilot On Request)	
Pressure	2.5 to 10 Kg/cm ²	
Temperature	80 °C	
Leakage	Bubble Tight	
Duty Cycle	Continuous Rated	
Protection	IP 65 [Flameproof / Explosion Proof As Per IS / IEC 60079 - 1 Standard Approved by Central Institute of Mining and Fuel Research (CIMFR)]	
Connector	DIN 43650 A	
Response Time	15 msec ON / 25 msec OFF	
Coil Voltage	12V, 24V, 48V, 110V, 230V, (AC / DC) 50 / 60 Hz (Non Std. Voltage Available On Request)	
Media	Compressed Air (Filtered & Lubricated)	
Flow (NLPM) at 5 BAR	1100	3000
Weight (Kg)	0.710	1.215

Size : 1/4" BSP (Dimensions are in mm)



Size : 1/2" BSP (Dimensions are in mm)



5/2 Way Double Solenoid Valve

Features

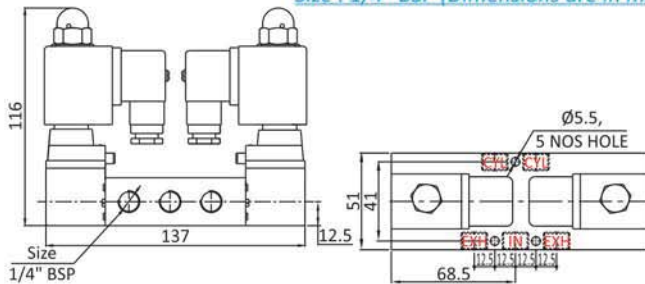
- ▶▶ Heavy & Durable design.
- ▶▶ Aluminum Die Cast Standard Grade with Powder Coating.
- ▶▶ Hard Chrome Plated spool for rust free smooth and long life cycle.
- ▶▶ Coil - Continuous duty low power consumption, CIMFR & CE Approved.
- ▶▶ Superior High Grade Seals
- ▶▶ Simple design easy to maintenance
- ▶▶ Manual Operator Push, Rotate & Lockable type.

Technical Specification

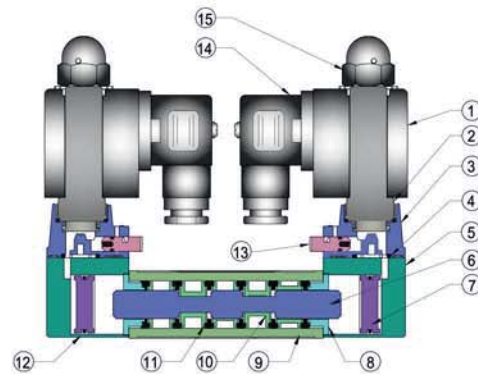
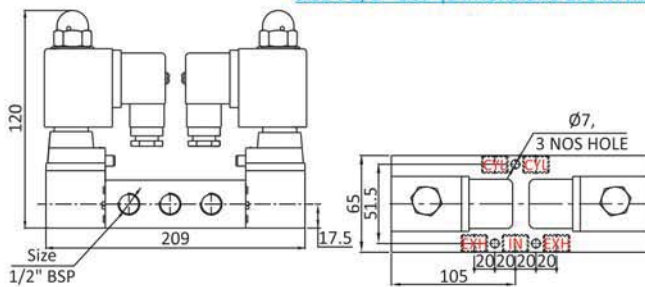
Model	2ARMDS - 502	2ARMDS - 504
Size	1/4"	1/2"
Orifice	6.5	12.5
Design	Spool type, Internal Pilot Operated (External Pilot On Request)	
Pressure	2.5 to 10 Kg/cm ²	
Temperature	80 °C	
Leakage	Bubble Tight	
Duty Cycle	Continuous Rated	
Protection	IP 65 [Flameproof / Explosion Proof As Per IS / IEC 60079 - 1 Standard Approved by Central Institute of Mining and Fuel Research (CIMFR)]	
Connector	DIN 43650 A	
Response Time	15 msec ON / 25 msec OFF	
Coil Voltage	12V, 24V, 48V, 110V, 230V, (AC / DC) 50 / 60 Hz (Non Std. Voltage Available On Request)	
Media	Compressed Air (Filtered & Lubricated)	
Flow (NLPM) at 5 BAR	1100	3000
Weight (Kg)	1.130	1.630



Size : 1/4" BSP (Dimensions are in mm)



Size : 1/2" BSP (Dimensions are in mm)

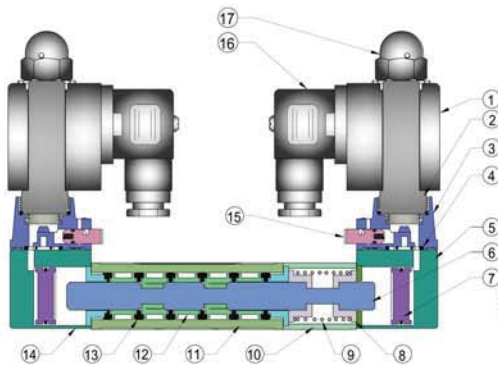
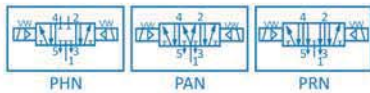


No.	Part Name	Material
1	Coil	Std. Material
2	Armature Assembly	S. Steel
3	Armature Jet Body	Zinc Pressure Die Cast
4	'O' Ring	Hi - Nitrile
5	Solenoid Cover	Zinc Pressure Die Cast
6	Spool	Hardchrome Plated Steel
7	Piston	Aluminum
8	Collar Washer	Polyacetal / Aluminum
9	Body	Aluminum Pressure Die Cast
10	Cage	Polyacetal
11	'T' Ring	Hi - Nitrile
12	Solenoid Cover	Aluminum Pressure Die Cast
13	Push Button	Brass
14	DIN Connector	DIN 43650A
15	Cap Nut	Steel Nickle Plated

Note : Since, constant worldwide advancement in technology, We keep our rights reserved to make changes time to time in Technical Specification and Dimensions without prior notice.



5/3 Way Double Solenoid Valve



No.	Part Name	Material
1	Coil	Std. Material
2	Armature Assembly	S. Steel
3	Armature Jet Body	Zinc Pressure Die Cast
4	'O' Ring	Hi - Nitrile
5	Solenoid Cover	Zinc Pressure Die Cast
6	Spool Shaft	Hardchrome Plated Steel
7	Piston	Aluminum
8	Spacer	Aluminum
9	Spring	S. S.
10	Cover	Aluminum
11	Body	Aluminum Pressure Die Cast
12	Cage	Polyacetal
13	'T' Ring	Hi - Nitrile
14	Solenoid Cover	Aluminum Pressure Die Cast
15	Push Button	Brass
16	DIN Connector	DIN 43650 A
17	Cap Nut	Steel Nickle Plated

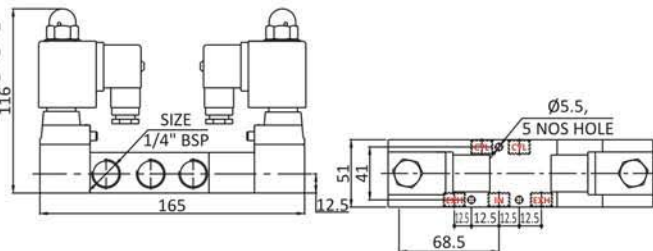
Features

- ▶▶ Heavy & Durable design.
- ▶▶ Aluminum Die Cast Standard Grade with Powder Coating.
- ▶▶ Hard Chrome Plated spool for rust free smooth and long life cycle.
- ▶▶ Coil - Continuous duty low power consumption, CIMFR & CE Approved.
- ▶▶ Superior High Grade Seals
- ▶▶ Simple design easy to maintenance
- ▶▶ Manual Operator Push, Rotate & Lockable type.

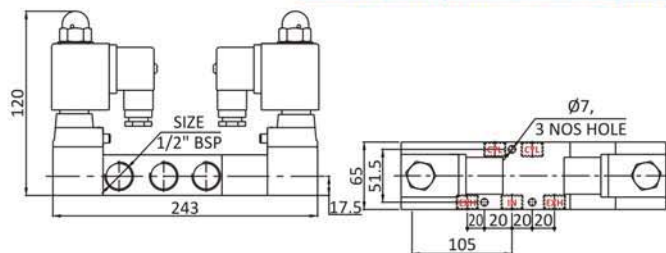
Technical Specification

Model	3ARMDS - 502	3ARMDS - 504
Size	1/4"	1/2"
Orifice	6.5	12.5
Design	Spool type, Internal Pilot Operated (External Pilot On Request)	
Pressure	2.5 to 10 Kg/cm ²	
Temperature	80 °C	
Leakage	Bubble Tight	
Duty Cycle	Continuous Rated	
Protection	IP 65 [Flameproof / Explosion Proof As Per IS / IEC 60079 - 1 Standard Approved by Central Institute of Mining and Fuel Research (CIMFR)]	
Connector	DIN 43650 A	
Response Time	15 msec ON / 25 msec OFF	
Coil Voltage	12V, 24V, 48V, 110V, 230V, (AC / DC) 50 / 60 Hz (Non Std. Voltage Available On Request)	
Media	Compressed Air (Filtered & Lubricated)	
Flow (NLPM) at 5 BAR	1000	2500
Weight (Kg)	1.250	1.950

Size : 1/4" BSP (Dimensions are in mm)



Size : 1/2" BSP (Dimensions are in mm)



3/2 Way Single Solenoid Valve

Features

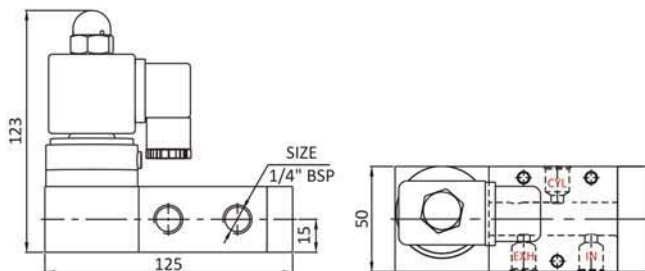
- ▶▶ Aluminum Extruded Body for Rugged Used.
- ▶▶ Hard Chrome Plated Internal Spool for smooth, Low Operating Pressure & Long Life.
- ▶▶ Hi - Nitrile Seals & Easy to Maintenance or Repair.
- ▶▶ Suitable for All Std. Voltage.
- ▶▶ Flameproof Coil Available.

Technical Specification

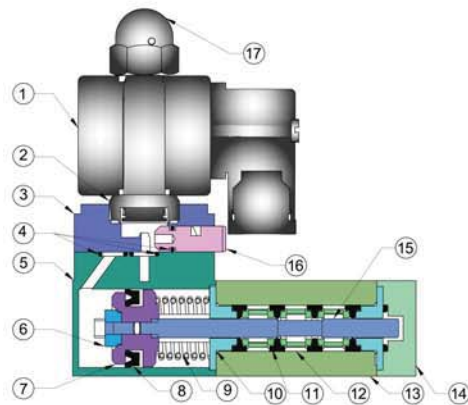
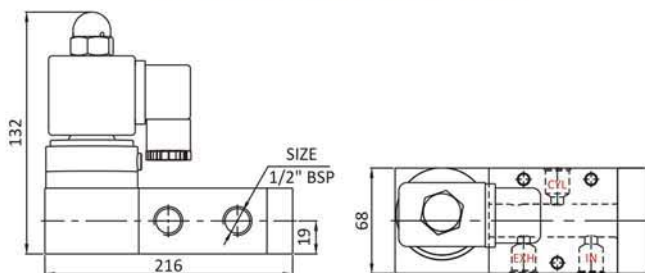
Model	2LTS-SS-302	2LTS-SS-304
Size	1/4"	1/2"
Orifice	6	12.5
Design	Spool type, Internal Pilot Operated (External Pilot On Request)	
Manual	Manual Override, Push Button and Rotate Both Combined Design	
Pressure	2 to 12 Kg/cm ²	
Temperature	80 °C	
Leakage	Bubble Tight	
Duty Cycle	Continuous Rated	
Protection	IP 65 [Flameproof / Explosion Proof As Per IS / IEC 60079 - 1 Standard Approved by Central Institute of Mining and Fuel Research (CIMFR)]	
Connector	DIN 43650 A	
Response Time	15 msec ON / 25 msec OFF	
Coil Voltage	12V, 24V, 48V, 110V, 230V, (AC / DC) (Non Std. Voltage Available On Request)	
Media	Compressed Air (Filtered & Lubricated)	
Flow (NLPM) at 5 BAR	1100	3000
Weight (Kg)	0.790	1.810



Size : 1/4" BSP (Dimensions are in mm)



Size : 1/2" BSP (Dimensions are in mm)



No.	Part Name	Material
1	Coil Assembly	Std. Material
2	Armature Assembly	Std. Steel
3	Armature Body	Aluminum Extruded
4	'O' Ring	Hi - Nitrile
5	Top Cover	Aluminum Extruded
6	Hex Nut	Std. Steel Plated
7	Piston	Aluminum Extruded
8	Piston V Seal	Hi - Nitrile
9	Spring	S. Steel
10	Collar Bush	Polyacetal
11	T Ring	Hi - Nitrile
12	Cage	Polyacetal
13	Body	Aluminum Extruded
14	Bottom Cover	Aluminum Extruded
15	Spool	EN - 8 Hardchrome Plated
16	Push Button (On/Off)	Brass Silver Plated
17	Cap Nut	Steel Nickle Plated

Note : Since, constant worldwide advancement in technology, We keep our rights reserved to make changes time to time in Technical Specification and Dimensions without prior notice.

5/2 Way Single Solenoid Valve

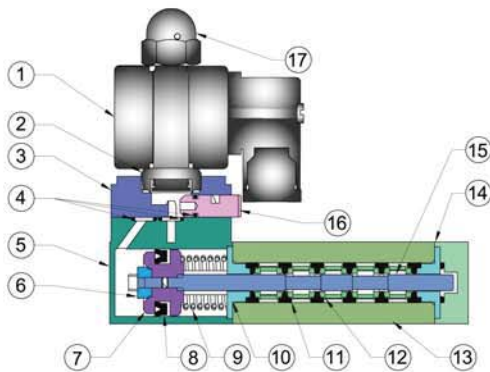


Features

- ▶▶ Aluminum Extruded Body for Rugged Used.
- ▶▶ Hard Chrome Plated Internal Spool for smooth, Low Operating Pressure & Long Life.
- ▶▶ Hi - Nitrile Seals & Easy to Maintenance or Repair.
- ▶▶ Suitable for All Std. Voltage.
- ▶▶ Flameproof Coil Available.

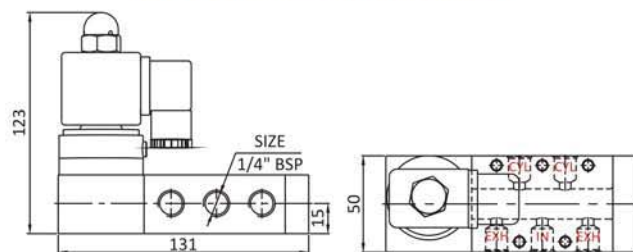
Technical Specification

Model	2LTS-SS-502	2LTS-SS-504
Size	1/4"	1/2"
Orifice	6	12.5
Design	Spool type, Internal Pilot Operated (External Pilot On Request)	
Manual	Manual Override, Push Button and Rotate Both Combined Design	
Pressure	2 to 12 Kg/cm ²	
Temperature	80 °C	
Leakage	Bubble Tight	
Duty Cycle	Continuous Rated	
Protection	IP 65 [Flameproof / Explosion Proof As Per IS / IEC 60079 - 1 Standard Approved by Central Institute of Mining and Fuel Research (CIMFR)]	
Connector	DIN 43650 A	
Response Time	15 msec ON / 25 msec OFF	
Coil Voltage	12V, 24V, 48V, 110V, 230V, (AC / DC) (Non Std. Voltage Available On Request)	
Media	Compressed Air (Filtered & Lubricated)	
Flow (NLPM) at 5 BAR	1100	3000
Weight (Kg)	0.870	1.900

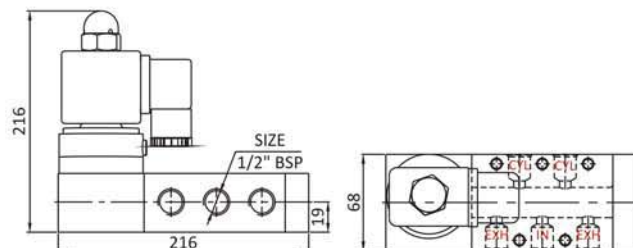


No.	Part Name	Material
1	Coil Assembly	Std. Material
2	Armature Assembly	Std. Steel
3	Armature Body	Aluminum Extruded
4	'O' Ring	Hi - Nitrile
5	Top Cover	Aluminum Extruded
6	Hex Nut	Std. Steel Plated
7	Piston	Aluminum Extruded
8	Piston V Seal	Hi - Nitrile
9	Spring	S. Steel
10	Collar Bush	Polyacetal
11	T Ring	Hi - Nitrile
12	Cage	Polyacetal
13	Body	Aluminum Extruded
14	Bottom Cover	Aluminum Extruded
15	Spool	EN - 8 Hardchrome Plated
16	Push Button (On/Off)	Brass Silver Plated
17	Cap Nut	Steel Nickle Plated

Size : 1/4" BSP (Dimensions are in mm)



Size : 1/2" BSP (Dimensions are in mm)



5/2 Way Double Solenoid Valve

Features

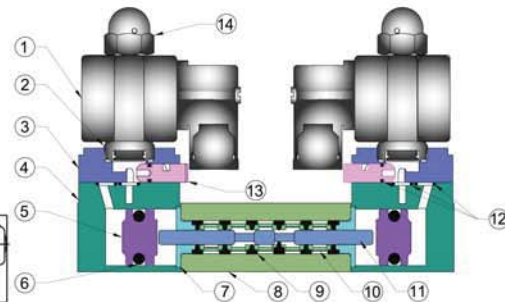
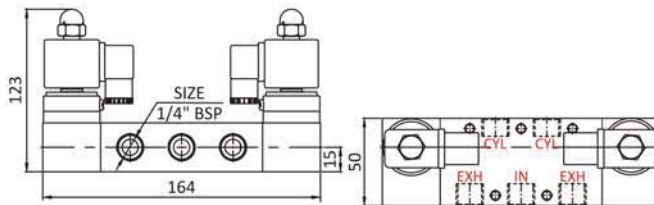
- ▶▶ Aluminum Extruded Body for Rugged Used.
- ▶▶ Hard Chrome Plated Internal Spool for smooth, Low Operating Pressure & Long Life.
- ▶▶ Hi - Nitrile Seals & Easy to Maintenance or Repair.
- ▶▶ Suitable for All Std. Voltage.
- ▶▶ Flameproof Coil Available.

Technical Specification

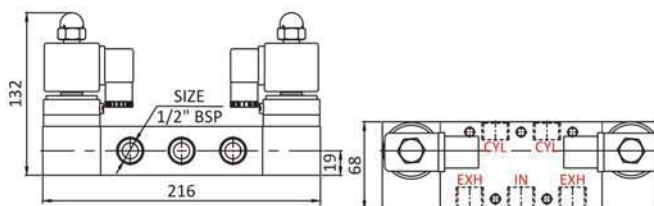
Model	2LTS-DS-502	2LTS-DS-504
Size	1/4"	1/2"
Orifice	6	12.5
Design	Spool type, Internal Pilot Operated (External Pilot On Request)	
Manual	Manual Override, Push Button and Rotate Both Combined Design	
Pressure	2 to 12 Kg/cm ²	
Temperature	80 °C	
Leakage	Bubble Tight	
Duty Cycle	Continuous Rated	
Protection	IP 65 [Flameproof / Explosion Proof As Per IS / IEC 60079 - 1 Standard Approved by Central Institute of Mining and Fuel Research (CIMFR)]	
Connector	DIN 43650 A	
Response Time	15 msec ON / 25 msec OFF	
Coil Voltage	12V, 24V, 48V, 110V, 230V, (AC / DC) (Non Std. Voltage Available On Request)	
Media	Compressed Air (Filtered & Lubricated)	
Flow (NLPM) at 5 BAR	1100	3000
Weight (Kg)	1.370	2.200



Size : 1/4" BSP (Dimensions are in mm)



Size : 1/2" BSP (Dimensions are in mm)



No.	Part Name	Material
1	Coil Assembly	Std. Material
2	Armature Assembly	Std. Steel
3	Armature Body	Aluminum Extruded
4	Top Cover	Aluminum Extruded
5	Piston	Aluminum Extruded
6	Piston O Seal	Hi - Nitrile
7	Collar Washer	Polyacetal
8	Body	Aluminum Extruded
9	T Ring	Hi - Nitrile
10	Cage	Polyacetal
11	Spool	EN - 8 Hardchrome Plated
12	O Ring	Hi - Nitrile
13	Push Button (On/Off)	Brass Silver Plated
14	Cap Nut	Steel Nickle Plated

Note : Since, constant worldwide advancement in technology, We keep our rights reserved to make changes time to time in Technical Specification and Dimensions without prior notice.

5/3 Way Double Solenoid Valve

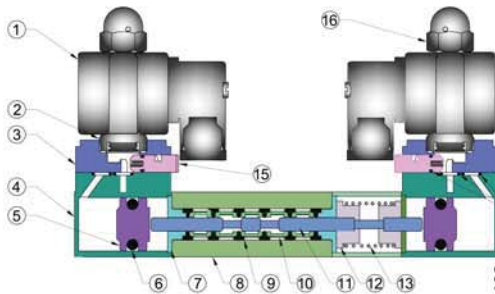


Features

- ▶▶ Aluminum Extruded Body for Rugged Used.
- ▶▶ Hard Chrome Plated Internal Spool for smooth, Low Operating Pressure & Long Life.
- ▶▶ Hi - Nitrile Seals & Easy to Maintenance or Repair.
- ▶▶ Suitable for All Std. Voltage.
- ▶▶ Flameproof Coil Available.

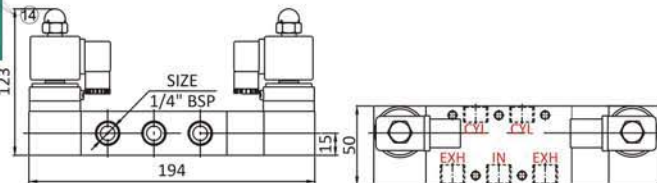
Technical Specification

Model	3LTS-DS-502	3LTS-DS-504
Size	1/4"	1/2"
Orifice	6	12.5
Design	Spool type, Internal Pilot Operated (External Pilot On Request)	
Manual	Manual Override, Push Button and Rotate Both Combined Design	
Pressure	2 to 12 Kg/cm ²	
Temperature	80 °C	
Leakage	Bubble Tight	
Duty Cycle	Continuous Rated	
Protection	IP 65 [Flameproof / Explosion Proof As Per IS / IEC 60079 - 1 Standard Approved by Central Institute of Mining and Fuel Research (CIMFR)]	
Connector	DIN 43650 A	
Response Time	15 msec ON / 25 msec OFF	
Coil Voltage	12V, 24V, 48V, 110V, 230V, (AC / DC) (Non Std. Voltage Available On Request)	
Media	Compressed Air (Filtered & Lubricated)	
Flow (NLPM) at 5 BAR	1000	3000
Weight (Kg)	1.870	2.550

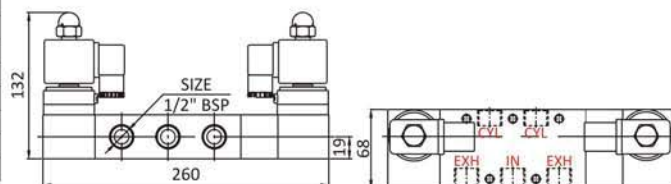


No.	Part Name	Material
1	Coil Assembly	Std. Material
2	Armature Assembly	Std. Steel
3	Armature Body	Aluminum Extruded
4	Top Cover	Aluminum Extruded
5	Piston	Aluminum Extruded
6	Piston O Seal	Hi - Nitrile
7	Collar Washer	Polyacetal
8	Body	Aluminum Extruded
9	T Ring	Hi - Nitrile
10	Cage	Polyacetal
11	Spool	EN - 8 Hardchrome Plated
12	Spacer	Aluminum
13	Spring	S. S. steel
14	O Ring	Hi - Nitrile
15	Push Button (On/Off)	Brass Silver Plated
16	Cap Nut	Steel Nickle Plated

Size : 1/4" BSP (Dimensions are in mm)



Size : 1/2" BSP (Dimensions are in mm)



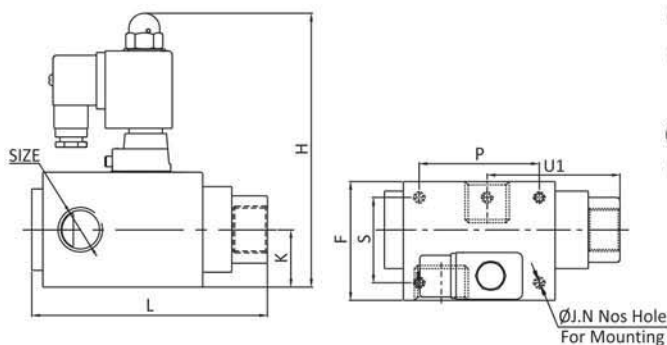
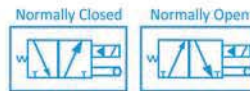
3/2 Way Poppet Type Solenoid Valve

Features

- ▶▶ Poppet type Heavy duty Valve
- ▶▶ Suitable for Loading & Unloading Application
- ▶▶ High Flow Volume
- ▶▶ Fast Action
- ▶▶ Coil - Continuous duty low power consumption, CIMFR & CE Approved.
- ▶▶ Superior High Grade Seals
- ▶▶ Simple design easy to maintenance
- ▶▶ Manual Operator Push, Rotate & Lockable type.

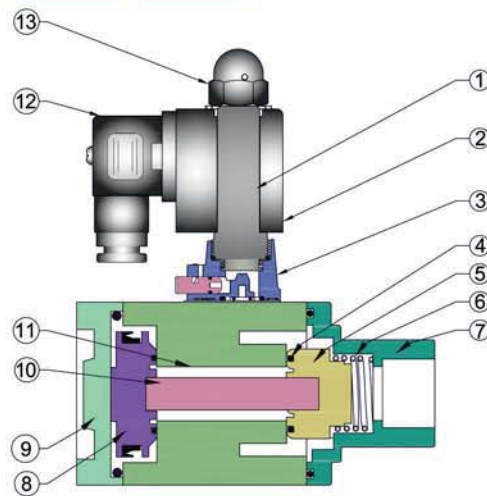
Technical Specification

Model	PPT - 32 - 2	PPT - 32 - 3	PPT - 32 - 4	PPT - 32 - 5
Size	1/2"	3/4"	1"	1.1/2"
Orifice	12.5	20	25	40
Design	Poppet type, Internal Pilot Operated (External Pilot On Request)			
Pressure	2.5 to 10 Kg/cm ²			
Temperature	80 °C			
Leakage	Bubble Tight			
Duty Cycle	Continuous Rated			
Protection	IP 65 [Flameproof / Explosion Proof As Per IS / IEC 60079 - 1 Standard Approved by Central Institute of Mining and Fuel Research (CIMFR)]			
Connector	DIN 43650 A			
Response Time	15 msec ON / 25 msec OFF			
Coil Voltage	12V, 24V, 48V, 110V, 230V, (AC / DC) 50 / 60 Hz (Non Std. Voltage Available On Request)			
Media	Compressed Air (Filtered & Lubricated)			
Flow (NLPM) at 5 BAR	3500	8000	11300	17000
Weight (Kg)	0.860	2.030	2.205	5.290



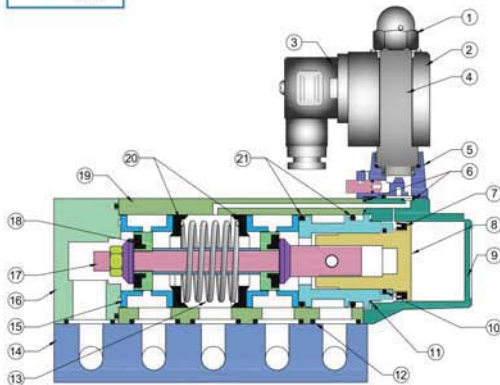
Dimensions : (All Dimensions are in mm)

MODEL	SIZE	L	H	K	P	F	S	U1	ØJ	N
PPT - 32 - 2	1/2"	100	135	25	34	61	50	61	M6	3
PPT - 32 - 3	3/4"	150	165	38.5	76	77	57	88	M6	4
PPT - 32 - 4	1"	160	165	38.5	76	77	57	97	M6	4
PPT - 32 - 5	1.1/2"	225	190	50.5	128	101	81	138	M8	4



No.	Part Name	Material
1	Cap Nut	Steel Nickel Plated
2	Coil	Std. Material
3	Armature Assembly	Standard Steel
4	Armature Body	Zinc Pressure Die Cast
5	'O' - Ring	Hi - Nitrile
6	Piston	Aluminum
7	Spring	S. Steel
8	Top Cover	Aluminum
9	Piston with Molded	Aluminum
10	Cover	Nylon / Aluminum
11	Stud	Brass
12	Body	Aluminum
13	Connector	DIN 43650A

5/2 Way Poppet Type Single Solenoid Valve



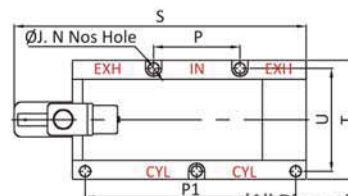
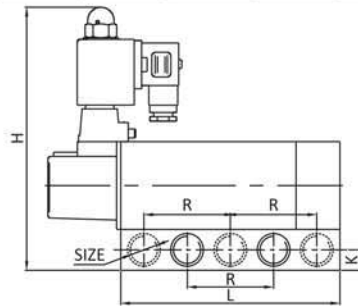
No.	Part Name	Material
1	Cap Nut	Steel Nickle Plated
2	Coil	Standard
3	Connector	Standard
4	Armature Assembly	Standard Steel
5	Armature Jet Body	Zinc Pressure Die Cast
6	'O' Ring (Pilot)	Hi - Nitrile
7	'V' Seal	Hi - Nitrile
8	Poppet Piston	Aluminum
9	Top Cover	Zink Pressure Die Cast
10	'O' Ring (Piston)	Hi - Nitrile
11	Gasket	Hi - Nitrile
12	'O' Ring (Base Plate)	Hi - Nitrile
13	Spring	Spring Steel
14	Base Plate	Aluminum Pressure Die Cast
15	Cage	Aluminum
16	End Cover	Aluminum
17	Spool	Standard Steel
18	Inlet Seal	Hi - Nitrile
19	Body	Aluminum
20	Inlet Seal	Hi - Nitrile
21	'O' Ring Retainer	Hi - Nitrile

Features

- ▶▶ Poppet type Heavy duty Valve
- ▶▶ Suitable for Loading & Unloading Application
- ▶▶ High Flow Volume
- ▶▶ Fast Action
- ▶▶ Coil - Continuous duty low power consumption, CIMFR & CE Approved.
- ▶▶ Superior High Grade Seals
- ▶▶ Simple design easy to maintenance
- ▶▶ Manual Operator Push, Rotate & Lockable type.

Technical Specification

Model	PPTS-52-0	PPTS-52-1	PPTS-52-2	PPT-52-2	PPT-52-3	PPT-52-4
Size	1/4"	3/8"	1/2"	1/2"	3/4"	1"
Orifice	6	10	10	12	19	25
Design	Poppet type, Internal Pilot Operated (External Pilot On Request)					
Pressure	2.5 to 10 Kg/cm ²					
Temperature	80 °C					
Leakage	Bubble Tight					
Duty Cycle	Continuous Rated					
Protection	IP 65 [Flameproof / Explosion Proof As Per IS / IEC 60079 - 1 Standard Approved by Central Institute of Mining and Fuel Research (CIMFR)]					
Connector	DIN 43650 A					
Response Time	15 msec ON / 25 msec OFF					
Coil Voltage	12V, 24V, 48V, 110V, 230V, (AC / DC) 50 / 60 Hz (Non Std. Voltage Available On Request)					
Media	Compressed Air (Filtered & Lubricated)					
Flow (NLPM) at 5 BAR	1300	1700	2500	3600	8000	11300
Weight (Kg)	1.560	1.530	1.500	2.810	2.750	2.920



Dimensions :

(All Dimensions are in mm)

MODEL	SIZE	BASIC	H	L	K	T	R	U	P	P1	S	ØJ	N
PPTS-52-0	1/4"	3/8"	165	103	13	76	37	64	41	84	140	6	4
PPTS-52-1	3/8"	3/8"	165	103	13	76	37	64	41	84	140	6	4
PPTS-52-2	1/2"	3/8"	165	103	13	76	37	64	41	84	140	6	4
PPT-52-2	1/2"	3/4"	185	152	18	95	60	86	63	----	200	7	3
PPT-52-3	3/4"	3/4"	185	152	18	95	60	86	63	----	200	7	3
PPT-52-4	1"	3/4"	195	152	22.5	95	60	79	63	----	200	7	3

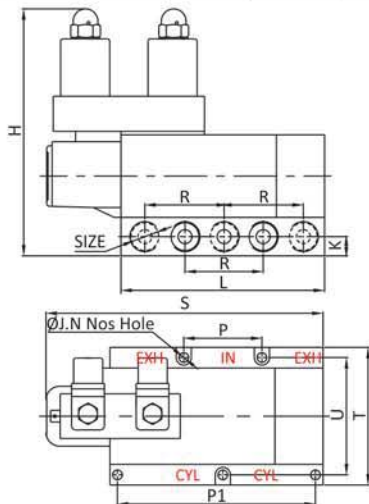
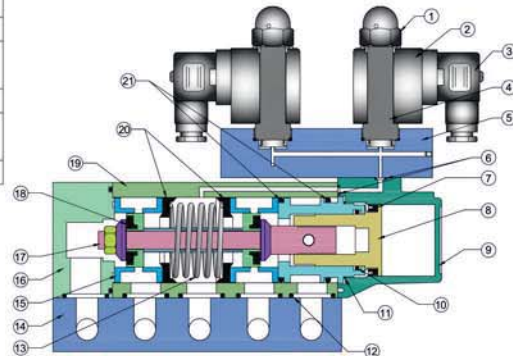
5/2 Way Poppet Type Double Solenoid Valve

Features

- ▶▶ Poppet type Heavy duty Valve
- ▶▶ Suitable for Loading & Unloading Application
- ▶▶ High Flow Volume
- ▶▶ Fast Action
- ▶▶ Coil - Continuous duty low power consumption, CIMFR & CE Approved.
- ▶▶ Superior High Grade Seals
- ▶▶ Simple design easy to maintenance
- ▶▶ Manual Operator Push, Rotate & Lockable type.

Technical Specification

Model	PPTS-55-0	PPTS-55-1	PPTS-55-2	PPT-55-2	PPT-55-3	PPT-55-4
Size	1/4"	3/8"	1/2"	1/2"	3/4"	1"
Orifice	6.5	10	12.5	12.5	20	25
Design	Poppet type, Internal Pilot Operated (External Pilot On Request)					
Pressure	2.5 to 10 Kg/cm ²					
Temperature	80 °C					
Leakage	Bubble Tight					
Duty Cycle	Continuous Rated					
Protection	IP 65 [Flameproof / Explosion Proof As Per IS / IEC 60079 - 1 Standard Approved by Central Institute of Mining and Fuel Research (CIMFR)]					
Connector	DIN 43650 A					
Response Time	15 msec ON / 25 msec OFF					
Coil Voltage	12V, 24V, 48V, 110V, 230V, (AC / DC) 50 / 60 Hz (Non Std. Voltage Available On Request)					
Media	Compressed Air (Filtered & Lubricated)					
Flow (NLPM) at 5 BAR	1300	1700	2500	3600	8000	11300
Weight (Kg)	1.935	1.895	1.900	3.175	3.150	3.320



Dimensions :

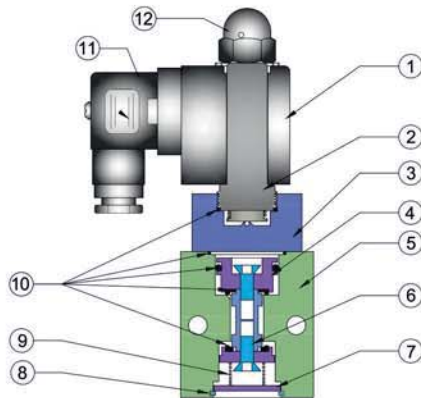
(All Dimensions are in mm)

MODEL	SIZE	BASIC	H	L	K	T	R	U	P	P1	S	ØJ	N
PPTS - 55 - 0	1/4"	3/8"	170	103	13	76	37	64	41	84	140	6	4
PPTS - 55 - 1	3/8"	3/8"	170	103	13	76	37	64	41	84	140	6	4
PPTS - 55 - 2	1/2"	3/8"	170	103	13	76	37	64	41	84	140	6	4
PPT - 55 - 2	1/2"	3/4"	185	152	18	95	60	86	63	----	200	7	3
PPT - 55 - 3	3/4"	3/4"	185	152	18	95	60	86	63	----	200	7	3
PPT - 55 - 4	1"	3/4"	185	152	22.5	95	60	79	63	----	200	7	3

No.	Part Name	Material
1	Cap Nut	Steel Nickle Plated
2	Coil	Standard
3	Connector	Standard
4	Armature Assembly	Standard Steel
5	Armature Jet Body	Zinc Pressure Die Cast
6	'O' Ring (Pilot)	Hi - Nitrile
7	'V' Seal	Hi - Nitrile
8	Poppet Piston	Aluminum
9	Top Cover	Zinc Pressure Die Cast
10	'O' Ring (Piston)	Hi - Nitrile
11	Gasket	Hi - Nitrile
12	'O' Ring (Base Plate)	Hi - Nitrile
13	Spring	Spring Steel
14	Base Plate	Aluminum Pressure Die Cast
15	Cage	Aluminum
16	End Cover	Aluminum
17	Spool	Standard Steel
18	Inlet Seal	Hi - Nitrile
19	Body	Aluminum
20	Inlet Seal	Hi - Nitrile
21	'O' Ring Retainer	Hi - Nitrile

Note : Since, constant worldwide advancement in technology, We keep our rights reserved to make changes time to time in Technical Specification and Dimensions without prior notice.

3/2 Way Poppet Type UTI - Sugar Valve



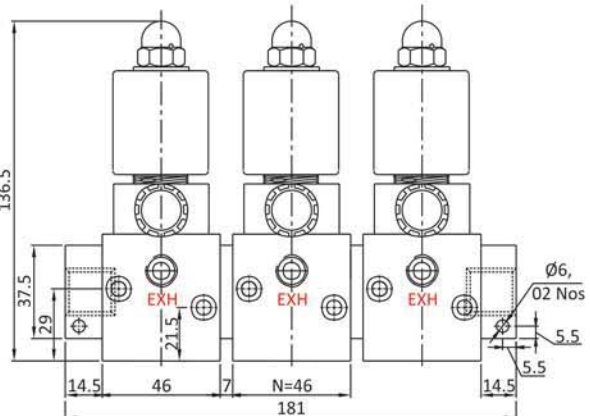
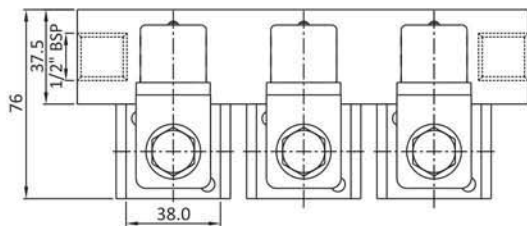
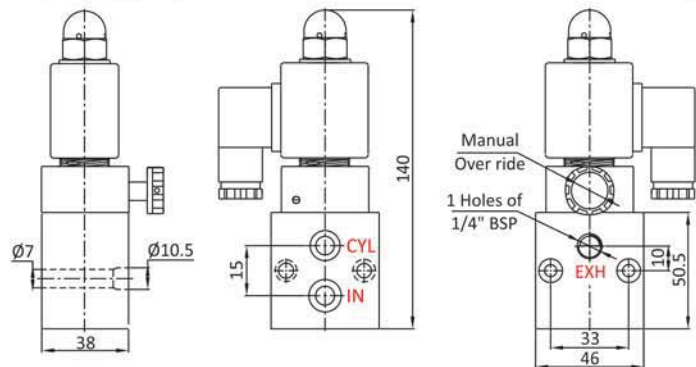
No.	Part Name	Material
1	Coil	Std. Material
2	Armature Assembly	Standard Steel
3	Armature Top	Aluminium
4	Piston Assembly	Aluminium / Brass
5	Body	Aluminium
6	Screw	S. Steel
7	Button Plate	Aluminium
8	Circlip	S. Steel
9	Spring	S. Steel
10	'O' Ring / Gasket	NBR
11	DIN Connector	DIN 43650A
12	Cap Nut	Steel Plated

Features

- ▶▶ Poppet type Heavy duty Valve
- ▶▶ Suitable for Loading & Unloading Application
- ▶▶ High Flow Volume
- ▶▶ Fast Action
- ▶▶ Coil - Continuous duty low power consumption, CIMFR & CE Approved.
- ▶▶ Superior High Grade Seals
- ▶▶ Simple design easy to maintenance
- ▶▶ Manual Operator Push, Rotate & Lockable type.

Technical Specification

Model	UTI - SUGAR - 302
Size	1/4"
Design	Poppet type,
Pressure	2.5 to 10 Kg/cm ²
Temperature	80 °C
Leakage	Bubble Tight
Duty Cycle	Continuous Rated
Protection	IP 65 [Flameproof / Explosion Proof As Per IS / IEC 60079 - 1 Standard Approved by Central Institute of Mining and Fuel Research (CIMFR)]
Connector	DIN 43650 A
Response Time	15 msec ON / 25 msec OFF
Coil Voltage	12V, 24V, 48V, 110V, 230V, (AC / DC) 50 / 60 Hz (Non Std. Voltage Available On Request)
Media	Compressed Air (Filtered & Lubricated)
Weight (Kg)	0.590



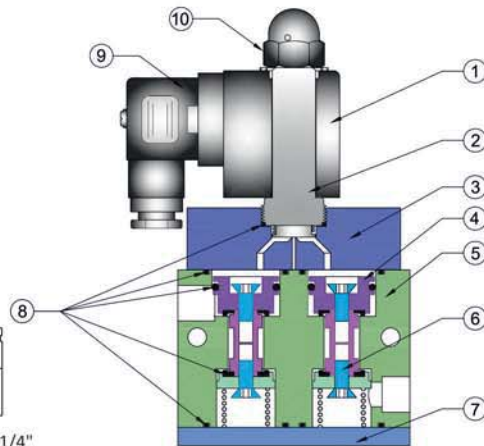
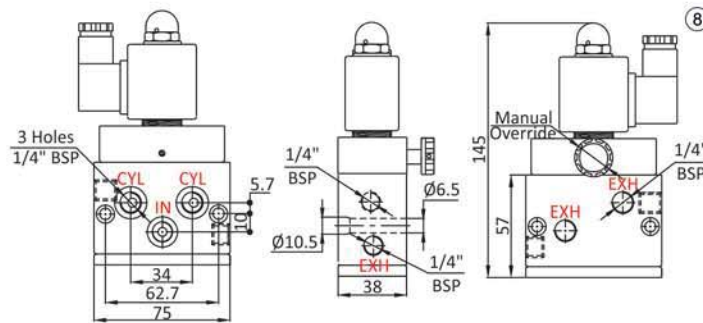
5/2 Way Poppet Type UTI - Sugar Valve

Features

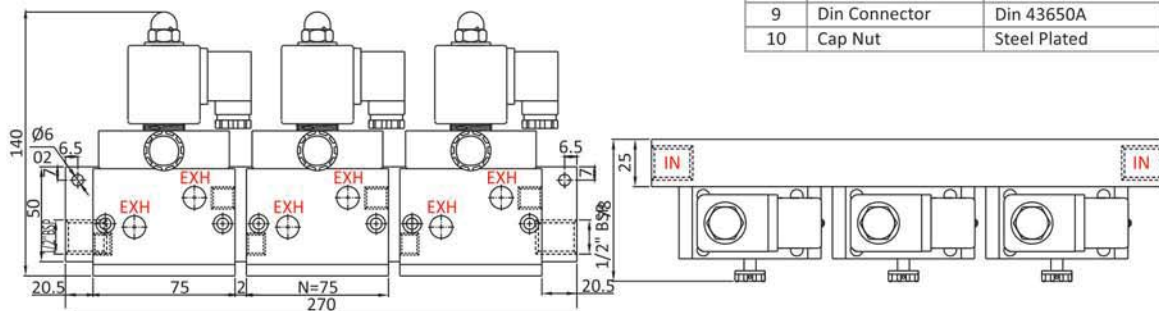
- ▶▶ Poppet type Heavy duty Valve
- ▶▶ Suitable for Loading & Unloading Application
- ▶▶ High Flow Volume
- ▶▶ Fast Action
- ▶▶ Coil - Continuous duty low power consumption, CIMFR & CE Approved.
- ▶▶ Superior High Grade Seals
- ▶▶ Simple design easy to maintenance
- ▶▶ Manual Operator Push, Rotate & Lockable type.

Technical Specification

Model	UTI - SUGAR - 502
Size	1/4"
Design	Poppet type,
Pressure	2.5 to 10 Kg/cm ²
Temperature	80 °C
Leakage	Bubble Tight
Duty Cycle	Continuous Rated
Protection	IP 65 [Flameproof / Explosion Proof As Per IS / IEC 60079 - 1 Standard Approved by Central Institute of Mining and Fuel Research (CIMFR)]
Connector	DIN 43650 A
Response Time	15 msec ON / 25 msec OFF
Coil Voltage	12V, 24V, 48V, 110V, 230V, (AC / DC) 50 / 60 Hz (Non Std. Voltage Available On Request)
Media	Compressed Air (Filtered & Lubricated)
Weight (Kg)	0.800



No.	Part Name	Material
1	Coil	Std. Material
2	Armature Assembly	Standard Steel
3	Armature Top	Aluminium
4	Piston Assembly	Aluminium / Brass
5	Body	Aluminium
6	Allen Key Screw	S. Steel
7	Base Plate	Aluminium
8	'O' Ring / Gasket	NBR
9	Din Connector	Din 43650A
10	Cap Nut	Steel Plated



Note : Since, constant worldwide advancement in technology, We keep our rights reserved to make changes time to time in Technical Specification and Dimensions without prior notice.

Poppet Type Hand Lever Valve

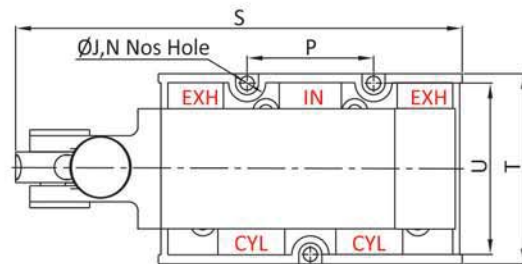
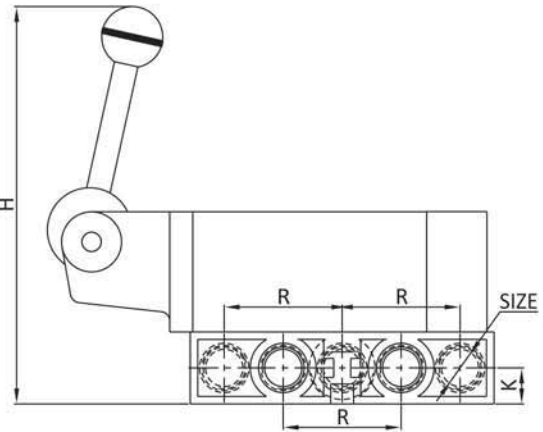
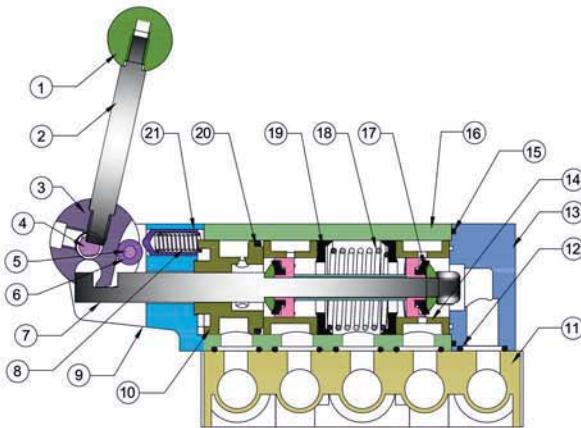


Features

- ▶▶ Heavy & Durable design.
- ▶▶ Aluminum Die Cast Standard Grade with Powder Coating.
- ▶▶ Hard Chrome Plated spool for rust free smooth and long life cycle.
- ▶▶ Superior High Grade Seals
- ▶▶ Simple design easy to maintenance

Technical Specification

Model	HLPT - 02	HLPT - 03	HLPT - 04
Size	1/2"	3/4"	1"
Orifice	12	19	25
Design	Poppet type		
Pressure	0.5 to 10 Kg/cm ²		
Temperature	80 °C		
Leakage	Bubble Tight		
Duty Cycle	Continuous Rated		
Media	Compressed Air (Filtered & Lubricated)		
Flow (NLPM) at 5 BAR	3600	8000	11300
Weight (Kg)	2.980	2.900	3.200



No.	Part Name	Material
1	Knob	Nylon
2	Handle	Standard Steel
3	Disc	Standard Steel
4	Dowel Pin	Standard Steel
5	Dowel Pin	Standard Steel
6	Roller	Standard Steel
7	Spool	Standard Steel
8	Detent Spring	S. Steel
9	Bracket	Cast Steel
10	Retainer	Brass / S. S.
11	Base Plate	Aluminum Pressure Die Cast
12	'O' Ring (Base Plate)	Hi - Nitrile
13	End Cover	Aluminum
14	Cage	Aluminum
15	Gasket	Hi - Nitrile
16	Body	Aluminum
17	Inlet Seal	Hi - Nitrile
18	Spring	S. Steel
19	Inlet Seal	Hi - Nitrile
20	'O' Ring (Retainer)	Hi - Nitrile
21	Detent	Standard Steel

Dimension :

(All Dimensions are in mm)

MODEL	SIZE	L	H	K	T	U	R	P	S	ØJ	N
HLPT - 02	1/2"	152	205	18	95	86	60	63	225	7	3
HLPT - 03	3/4"	152	205	18	95	86	60	63	225	7	3
HLPT - 04	1"	152	215	22.5	95	79	60	63	225	7	3

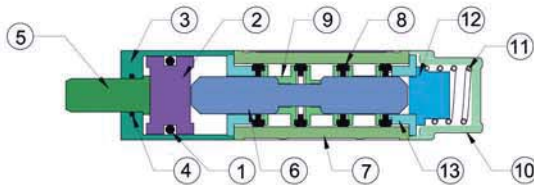
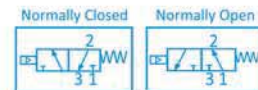
3/2 Way Single Pilot Valve

Features

- ▶▶ Heavy & Durable design.
- ▶▶ Aluminum Die Cast Standard Grade with Powder Coating.
- ▶▶ Hard Chrome Plated spool for rust free smooth and long life cycle.
- ▶▶ Superior High Grade Seals
- ▶▶ Simple design easy to maintenance

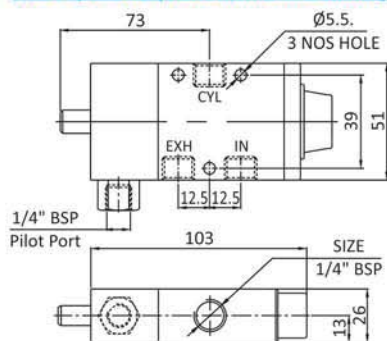
Technical Specification

Model	2ARMPV-S-302	2ARMPV-S-304
Size	1/4"	1/2"
Orifice	6.5	12.5
Design	Spool type, Internal Pilot Operated (External Pilot On Request)	
Pressure	2.5 to 10 Kg/cm ²	
Temperature	80 °C	
Leakage	Bubble Tight	
Media	Compressed Air (Filtered & Lubricated)	
Flow (NLPM) at 5 BAR	1100	3000
Weight (Kg)	0.310	0.850

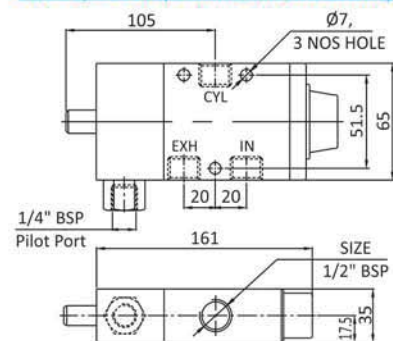


No.	Part Name	Material
1	'O' Ring	Hi - Nitrile
2	Piston	Polyacetal / Aluminum
3	Pilot Cover	Aluminum
4	'O' Ring	Hi - Nitrile
5	Manual Push Button	Steel Plated
6	Spool Shaft	EN8 Hardchrome Steel Plated
7	Body	Alu. Pre. Die Cast
8	'T' Ring	Hi - Nitrile
9	Cage	Polyacetal
10	End Cover	Aluminum / Nylon
11	Spring	Steel Plated
12	Stopper	Polyacetal / Aluminum
13	Collar Washer	Polyacetal

Size : 1/4" BSP (Dimensions are in mm)



Size : 1/2" BSP (Dimensions are in mm)



Note : Since, constant worldwide advancement in technology, We keep our rights reserved to make changes time to time in Technical Specification and Dimensions without prior notice.



5/2 Way Single Pilot Valve

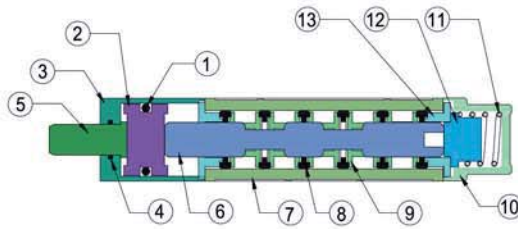


Features

- ▶▶ Heavy & Durable design.
- ▶▶ Aluminum Die Cast Standard Grade with Powder Coating.
- ▶▶ Hard Chrome Plated spool for rust free smooth and long life cycle.
- ▶▶ Superior High Grade Seals
- ▶▶ Simple design easy to maintenance

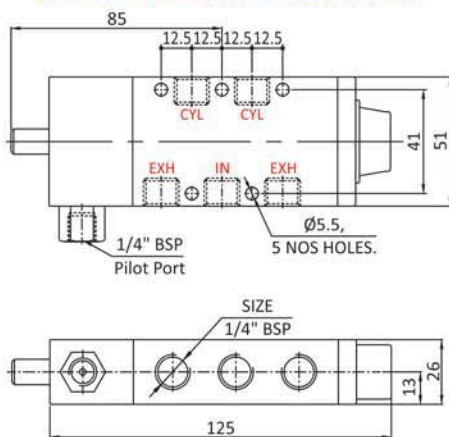
Technical Specification

Model	2ARMPV-S-502	2ARMPV-S-504
Size	1/4"	1/2"
Orifice	6.5	12.5
Design	Spool type, Internal Pilot Operated (External Pilot On Request)	
Pressure	2.5 to 10 Kg/cm ²	
Temperature	80 °C	
Leakage	Bubble Tight	
Media	Compressed Air (Filtered & Lubricated)	
Flow (NLPM) at 5 BAR	1100	3000
Weight (Kg)	0.370	0.956

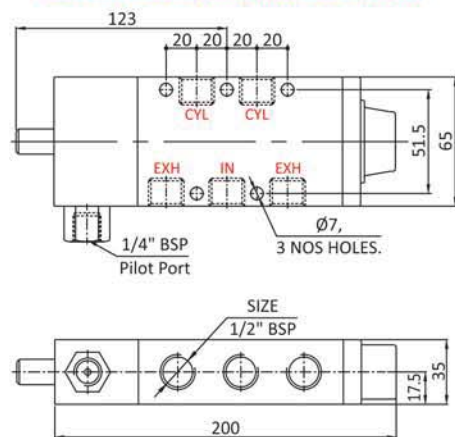


No.	Part Name	Material
1	'O' Ring	Hi - Nitrile
2	Piston	Polyacetal / Aluminum
3	Pilot Cover	Aluminium
4	'O' Ring	Hi - Nitrile
5	Manual Push Button	Steel Plated
6	Spool Shaft	EN8 Hardchrome Steel Plated
7	Body	Alu. Pre. Die Cast
8	'T' Ring	Hi - Nitrile
9	Cage	Polyacetal
10	End Cover	Aluminium / Nylon
11	Spring	Steel Plated
12	Stopper	Polyacetal / Aluminum
13	Collar Washer	Polyacetal

Size : 1/4" BSP (Dimensions are in mm)



Size : 1/2" BSP (Dimensions are in mm)



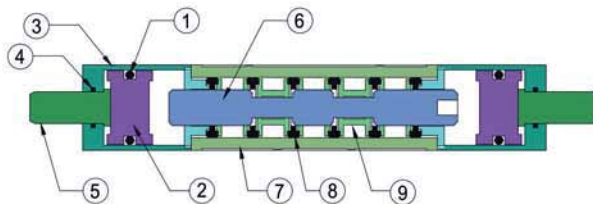
5/2 Way Double Pilot Valve

Features

- ▶▶ Heavy & Durable design.
- ▶▶ Aluminum Die Cast Standard Grade with Powder Coating.
- ▶▶ Hard Chrome Plated spool for rust free smooth and long life cycle.
- ▶▶ Superior High Grade Seals
- ▶▶ Simple design easy to maintenance

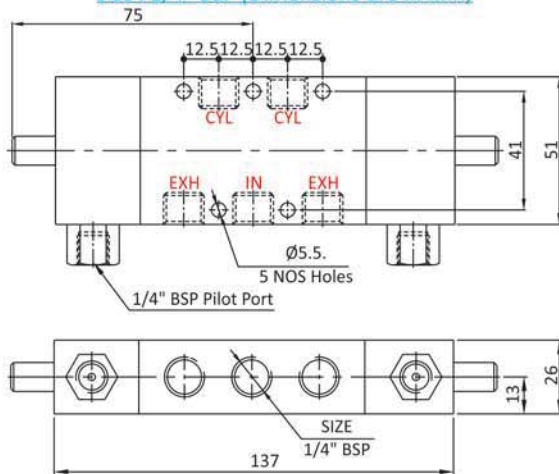
Technical Specification

Model	2ARMPV-D-502	2ARMPV-D-504
Size	1/4"	1/2"
Orifice	6.5	12.5
Design	Spool type, Internal Pilot Operated (External Pilot On Request)	
Pressure	2.5 to 10 Kg/cm ²	
Temperature	80 °C	
Leakage	Bubble Tight	
Media	Compressed Air (Filtered & Lubricated)	
Flow (NLPM) at 5 BAR	1100	3000
Weight (Kg)	0.456	1.130

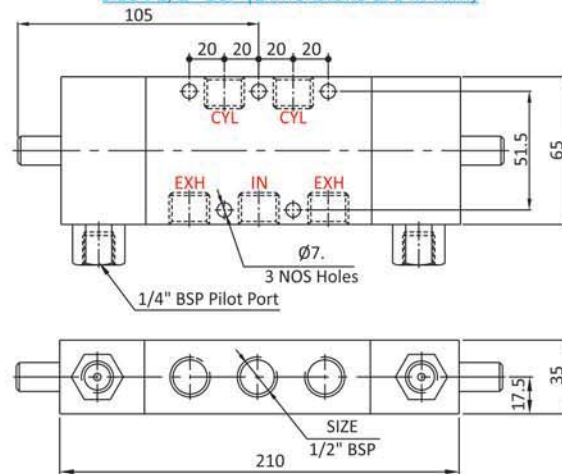


No.	Part Name	Material
1	'O' Ring	Hi - Nitrile
2	Piston	Polyacetal / Aluminum
3	Pilot Cover	Aluminium
4	'O' Ring	Hi - Nitrile
5	Manual Push Button	Steel Plated
6	Spool	EN8 Hardchrome Steel Plated
7	Body	Alu. Pres. Die Cast
8	'T' Ring	Hi - Nitrile
9	Cage	Polyacetal

Size : 1/4" BSP (Dimensions are in mm)



Size : 1/2" BSP (Dimensions are in mm)



Note : Since, constant worldwide advancement in technology, We keep our rights reserved to make changes time to time in Technical Specification and Dimensions without prior notice.

5/3 Way Double Pilot Valve

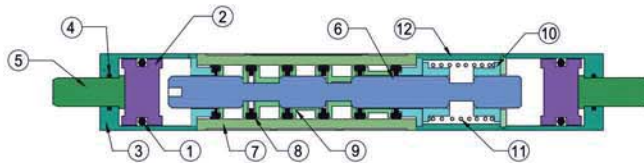
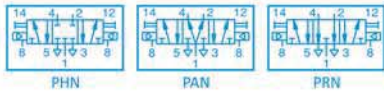


Features

- ▶▶ Heavy & Durable design.
- ▶▶ Aluminum Die Cast Standard Grade with Powder Coating.
- ▶▶ Hard Chrome Plated spool for rust free smooth and long life cycle.
- ▶▶ Superior High Grade Seals
- ▶▶ Simple design easy to maintenance

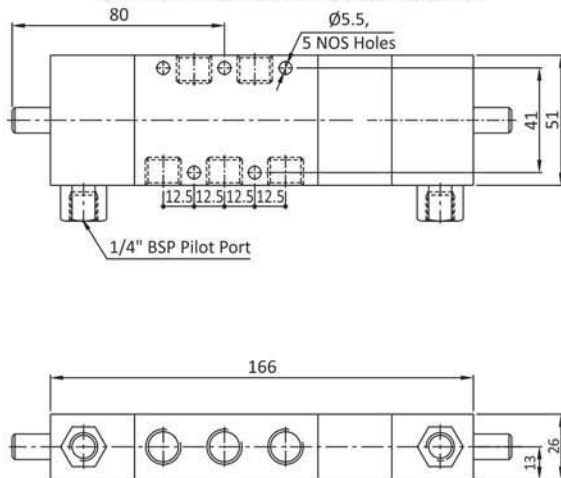
Technical Specification

Model	3ARMPV-D-502	3ARMPV-D-504
Size	1/4"	1/2"
Orifice	6.5	12.5
Design	Spool type, Internal Pilot Operated (External Pilot On Request)	
Pressure	2.5 to 10 Kg/cm ²	
Temperature	80 °C	
Leakage	Bubble Tight	
Media	Compressed Air (Filtered & Lubricated)	
Flow (NLPM) at 5 BAR	1100	3000
Weight (Kg)	0.620	1.450

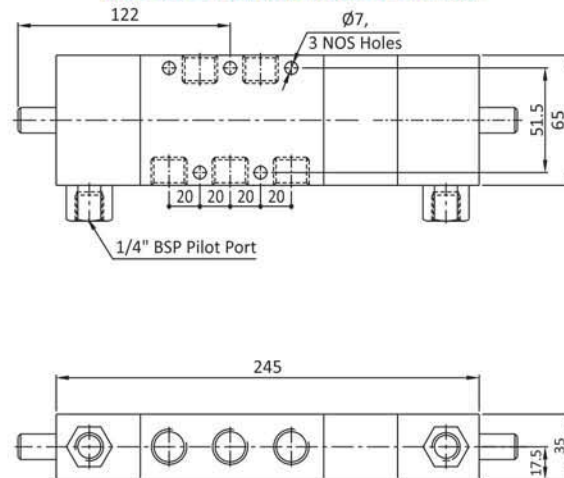


No.	Part Name	Material
1	'O' Ring	Hi - Nitrile
2	Piston	Polyacetal / Aluminum
3	Pilot Cover	Aluminium
4	'O' Ring	Hi - Nitrile
5	Manual Push Button	Steel Plated
6	Spool	Hardchrome Steel Plated
7	Body	Alu. Prs. Die Cast
8	'T' Ring	Hi - Nitrile
9	Cage	Polyacetal
10	Spacer	Aluminium
11	Spring	S.S
12	Cover	Aluminium

Size : 1/4" BSP (Dimensions are in mm)



Size : 1/2" BSP (Dimensions are in mm)



3/2 Way Hand Lever Valve (Spring Return / Detent)

Features

- ▶▶ Heavy & Durable design.
- ▶▶ Aluminum Die Cast Standard Grade with Powder Coating.
- ▶▶ Hard Chrome Plated spool for rust free smooth and long life cycle.
- ▶▶ Superior High Grade Seals
- ▶▶ Simple design easy to maintenance

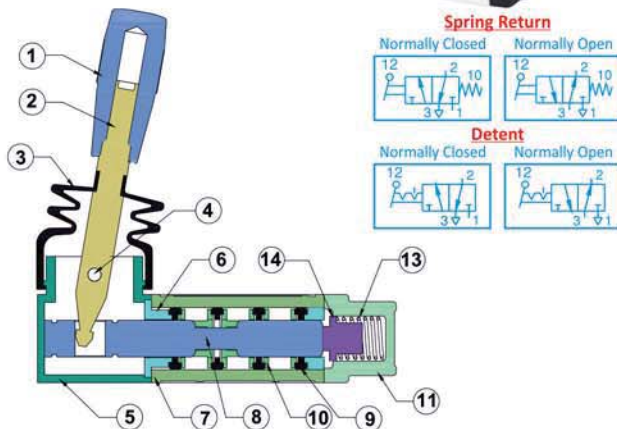
Technical Specification

Model	2ARMHLV - 302	2ARMHLV - 304
Size	1/4"	1/2"
Orifice	6.5	12.5
Design	Spool type,	
Pressure	10 Kg/cm ²	
Temperature	80 °C	
Leakage	Bubble Tight	
Media	Compressed Air (Filtered & Lubricated)	
Flow (NLPM) at 5 BAR	1100	3000
Weight (Kg)	0.310	0.890

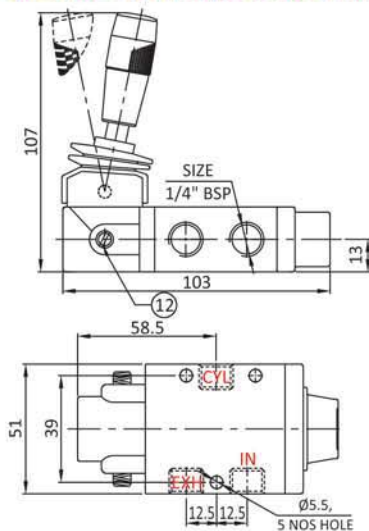


No.	Part Name	Material
1	Knob	Nylon
2	Handle	Hardchrome Plated
3	Bellow	NBR
4	Dowel Pin	Spring Steel
5	Top Cover	Aluminum Pressure Die Cast
6	Collar Washer	Polyacetal
7	Body	Aluminum Pressure Die Cast
8	Spool	EN8 Hardchrome Plated
9	'T' Ring	NBR
10	Cage	Polyacetal
11	End Cover	Aluminum / Nylon
12	Cushioning Set	Brass / S. S.
13	*Spring	S. Steel
14	Stopper	Polyacetal

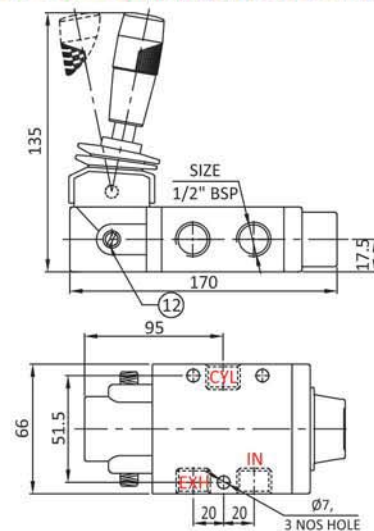
* Only For Spring Return.



Size : 1/4" BSP (Dimensions are in mm)



Size : 1/2" BSP (Dimensions are in mm)



Note : Since, constant worldwide advancement in technology, We keep our rights reserved to make changes time to time in Technical Specification and Dimensions without prior notice.

**5/2 & 5/3 Way Hand Lever Valve
(Spring Return / Detent)**

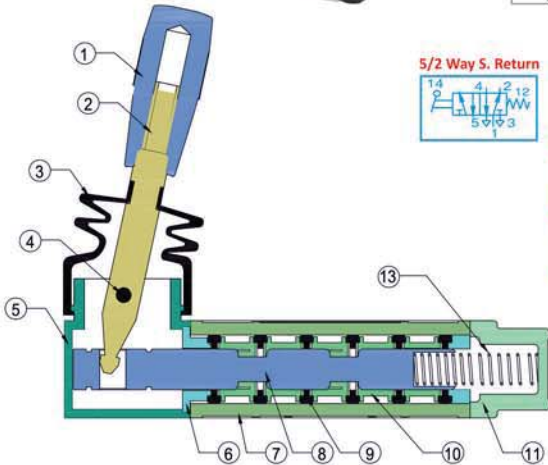


Features

- ▶▶ Heavy & Durable design.
- ▶▶ Aluminum Die Cast Standard Grade with Powder Coating.
- ▶▶ Hard Chrome Plated spool for rust free smooth and long life cycle.
- ▶▶ Superior High Grade Seals
- ▶▶ Simple design easy to maintenance

Technical Specification

Model	2ARMHLV-502	2ARMHLV-504	3ARMHLV-502	3ARMHLV-504
Size	1/4"	1/2"	1/4"	1/2"
Type	Spring Return		Detent	
Orifice	6.5	12.5	6.5	12.5
Design	Spool type,			
Pressure	10 Kg/cm ²			
Temperature	80 °C			
Leakage	Bubble Tight			
Media	Compressed Air (Filtered & Lubricated)			
Flow (NLPM) at 5 BAR	1100	3000	1100	3000
Weight (Kg)	0.390	0.980	0.400	0.980



5/2 Way S. Return



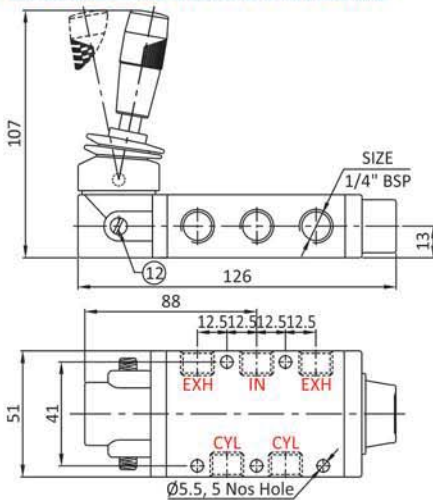
5/3 Detent



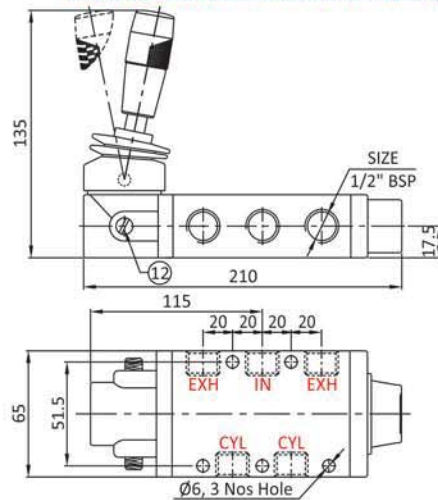
No.	Part Name	Material
1	Knob	Nylon
2	Handle	Hardchrome Plated
3	Bellow	NBR
4	Dowel Pin	Spring Steel
5	Top Cover	Aluminum Pressure Die Cast
6	Collar Washer	Polyacetal
7	Body	Aluminum Pressure Die Cast
8	Spool	EN8 Hardchrome Plated
9	'T' Ring	NBR
10	Cage	Polyacetal
11	End Cover	Aluminum / Nylon
12	Cushioning Set	Brass / S. S.
13	*Spring	S. Steel

* Only For Spring Return.

Size : 1/4" BSP (Dimensions are in mm)



Size : 1/2" BSP (Dimensions are in mm)



5/3 Way Hand Lever Valve (Center Spring)

Features

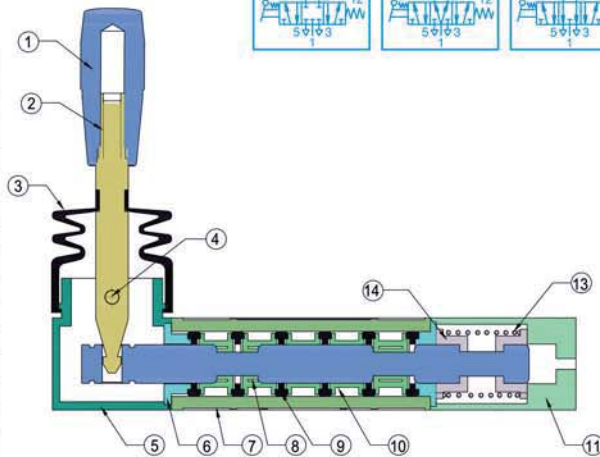
- ▶▶ Heavy & Durable design.
- ▶▶ Aluminum Die Cast Standard Grade with Powder Coating.
- ▶▶ Hard Chrome Plated spool for rust free smooth and long life cycle.
- ▶▶ Superior High Grade Seals
- ▶▶ Simple design easy to maintenance

Technical Specification

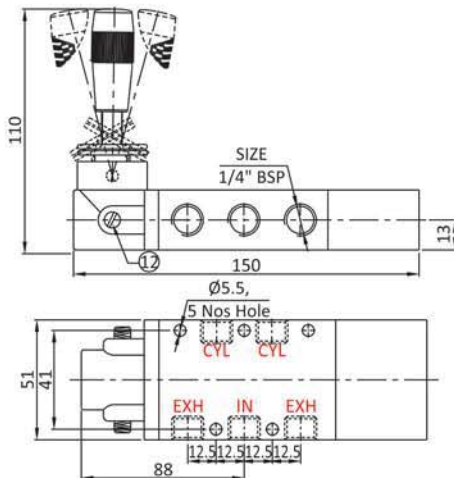
Model	3ARMHLV-502-SC	3ARMHLV-504-SC
Size	1/4"	1/2"
Orifice	6.5	12.5
Design	Spool type,	
Pressure	10 Kg/cm ²	
Temperature	80 °C	
Leakage	Bubble Tight	
Media	Compressed Air (Filtered & Lubricated)	
Flow (NLPM) at 5 BAR	1000	2500
Weight (Kg)	0.550	1.190



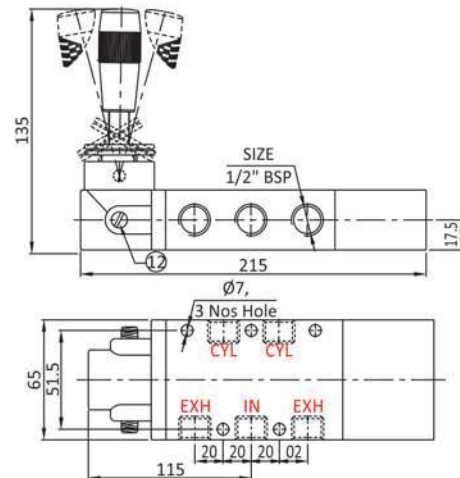
No.	Part Name	Material
1	Knob	Nylon
2	Handle	Hardchrome Plated
3	Bellow	NBR
4	Dowel Pin	Spring Steel
5	Top Cover	Aluminum Pressure Die Cast
6	Collar Washer	Polyacetal
7	Body	Aluminum Pressure Die Cast
8	Spool	EN8 Hardchrome Plated
9	'T' Ring	Hi - Nitrile
10	Cage	Polyacetal
11	End Cover	Aluminum / Nylon
12	Cushioning Set	Brass / S. Steel
13	Spring	S. Steel
14	Spacer	Polyacetal



Size : 1/4" BSP (Dimensions are in mm)



Size : 1/2" BSP (Dimensions are in mm)



Note : Since, constant worldwide advancement in technology, We keep our rights reserved to make changes time to time in Technical Specification and Dimensions without prior notice.



Disc Rotary Valve 4 Way (3 Position)

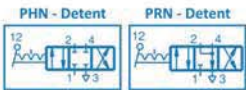


Features

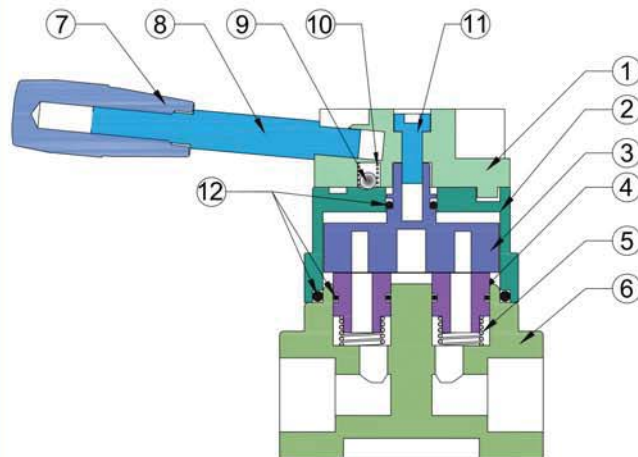
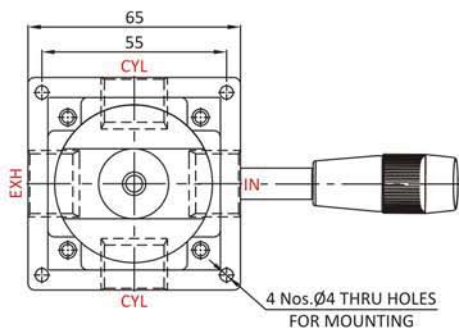
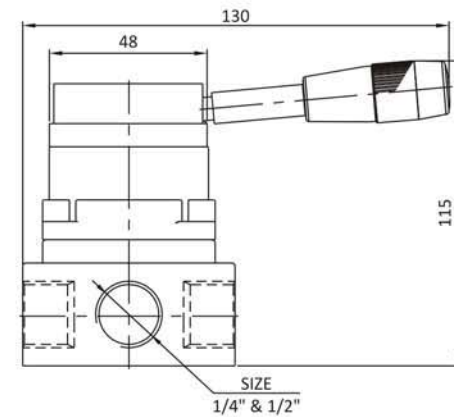
- ▶▶ Heavy & Durable design.
- ▶▶ Aluminum Die Cast Standard Grade with Powder Coating.
- ▶▶ Superior High Grade Seals
- ▶▶ Poppet design easy to maintenance

Technical Specification

Model	2ARMDR - 02	2ARMDR - 04
Size	1/4"	1/2"
Orifice	7	10
Design	Poppet Type,	
Pressure	10 Kg/cm ²	
Temperature	80 °C	
Leakage	Bubble Tight	
Media	Compressed Air (Filtered & Lubricated)	
Flow (NLPM) at 5 BAR	1100	2100
Weight (Kg)	0.490	0.460



Size : 1/4" & 1/2" BSP (Dimensions are in mm)



No.	Part Name	Material
1	Knob Button	Aluminum Pressure Die Cast
2	Cap / Cover	Aluminum Pressure Die Cast
3	Disc	Aluminum
4	Piston	Rubber Molded / Alu. Piston
5	Spring	S. S.
6	Body	Aluminum Pressure Die Cast
7	Handle Knob	Nylon
8	Handle Stud	Steel Plated
9	Ball	S. Steel
10	Spring	S. Steel
11	Allen Key	Steel Plated
12	'O' Ring	NBR

3/2 Way Foot Pedal Valve (Spring Return)

Features

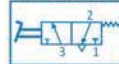
- ▶▶ Heavy & Durable design.
- ▶▶ Aluminum Die Cast Standard Grade with Powder Coating.
- ▶▶ Hard Chrome Plated spool for rust free smooth and long life cycle.
- ▶▶ Superior High Grade Seals
- ▶▶ Simple design easy to maintenance

Technical Specification

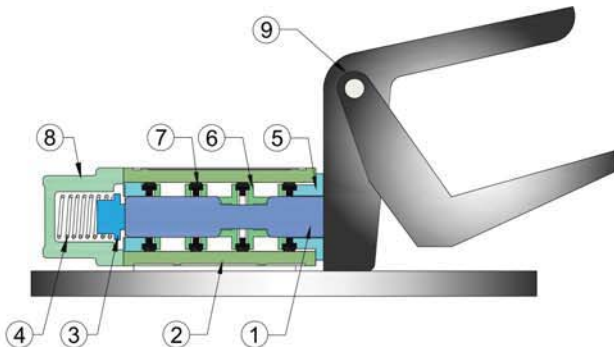
Model	2ARMFLV - 302	2ARMFLV - 304
Size	1/4"	1/2"
Orifice	6.5	12.5
Design	Spool type,	
Pressure	10 Kg/cm ²	
Temperature	80 °C	
Leakage	Bubble Tight	
Media	Compressed Air (Filtered & Lubricated)	
Flow (NLPM) at 5 BAR	1000	2500
Weight (Kg)	1.185	1.815



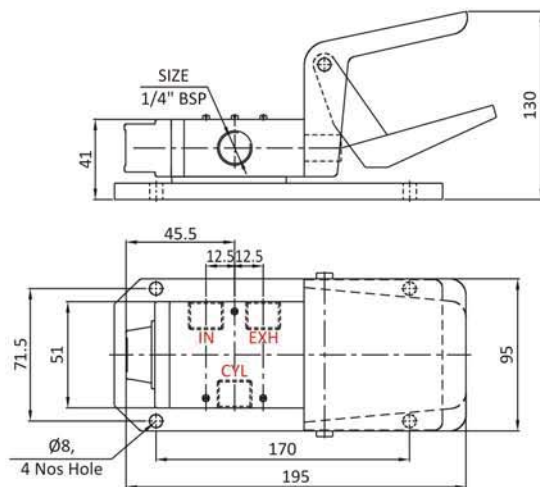
Normally Closed



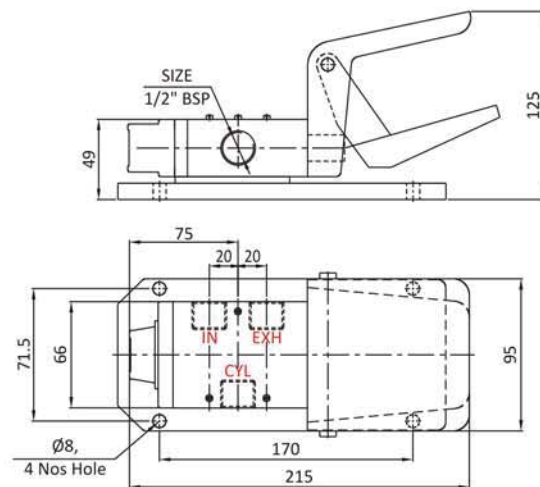
No.	Part Name	Material
1	Spool	EN8 Hardchrome Plated
2	Body	Aluminum Pressure Die Cast
3	Stopper	Polyacetal
4	Spring	S. Spring
5	Collar Washer	Polyacetal
6	Cage	Polyacetal
7	'T' - Ring	Hi - Nitrile
8	End Cover	Aluminum Pressure Die Cast
9	Pedal Cover & Mounting Plate	Steel Fabricated



Size : 1/4" BSP (Dimensions are in mm)



Size : 1/2" BSP (Dimensions are in mm)



Note : Since, constant worldwide advancement in technology, We keep our rights reserved to make changes time to time in Technical Specification and Dimensions without prior notice.



5/2 Way Foot Pedal Valve (Spring Return)

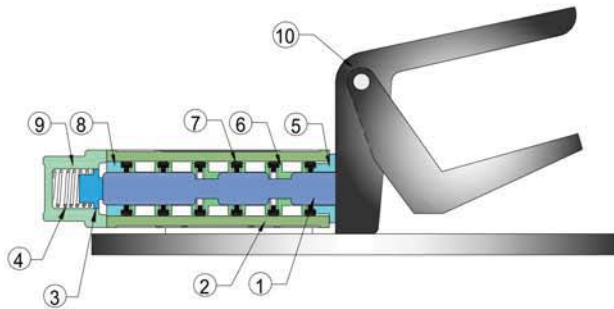


Features

- ▶▶ Heavy & Durable design.
- ▶▶ Aluminum Die Cast Standard Grade with Powder Coating.
- ▶▶ Hard Chrome Plated spool for rust free smooth and long life cycle.
- ▶▶ Superior High Grade Seals
- ▶▶ Simple design easy to maintenance

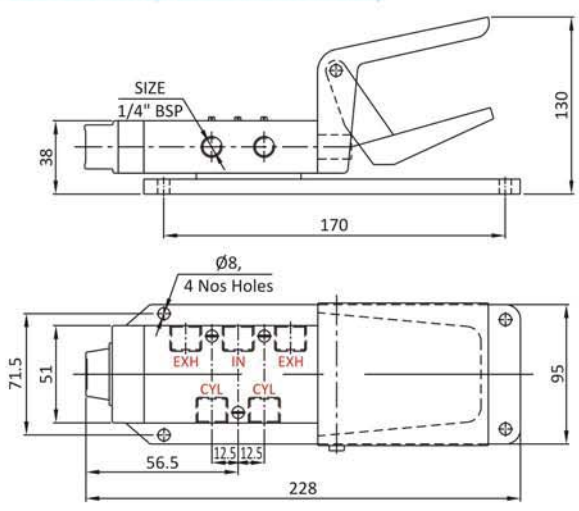
Technical Specification

Model	2ARMFLV - 502	2ARMFLV - 504
Size	1/4"	1/2"
Orifice	7	10
Design	Spool type,	
Pressure	10 Kg/cm ²	
Temperature	80 °C	
Leakage	Bubble Tight	
Media	Compressed Air (Filtered & Lubricated)	
Flow (NLPM) at 5 BAR	1100	3000
Weight (Kg)	1.240	1.840

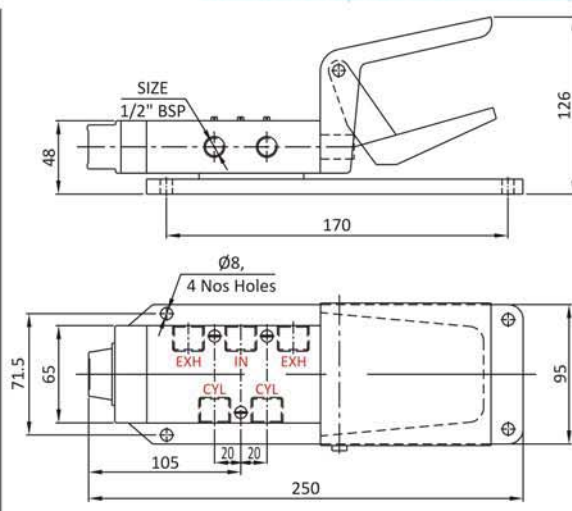


No.	Part Name	Material
1	Spool	EN8 Hardchrome Plated
2	Body	Aluminum Pressure Die Cast
3	Stopper	Polyacetal
4	Spring	S. Spring
5	Stopper	Polyacetal
6	Cage	Polyacetal
7	'T' Ring	Hi - Nitrile
8	Collar Washer	Polyacetal
9	End Cover	Aluminum Pressure Die Cast
10	Pedal Cover & Mounting Plate	Steel Fabricated

Size : 1/4" BSP (Dimensions are in mm)



Size : 1/2" BSP (Dimensions are in mm)



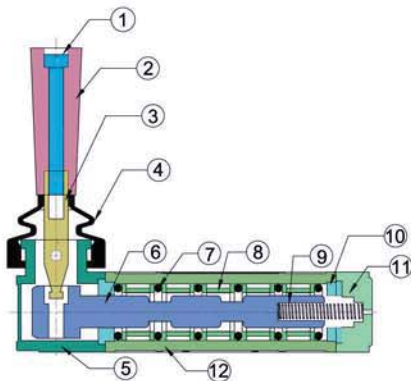
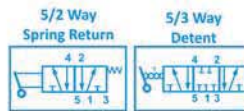
5/2 Way Hand Lever Valve (Spring Return)
5/3 Way Hand Lever Valve (Detent)

Features

- ▶▶ Compact Design
- ▶▶ Aluminum Die Cast Standard Grade with Powder Coating.
- ▶▶ Hard Chrome Plated spool for rust free smooth and long life cycle.
- ▶▶ Superior High Grade Seals
- ▶▶ Panel Mounting Available

Technical Specification

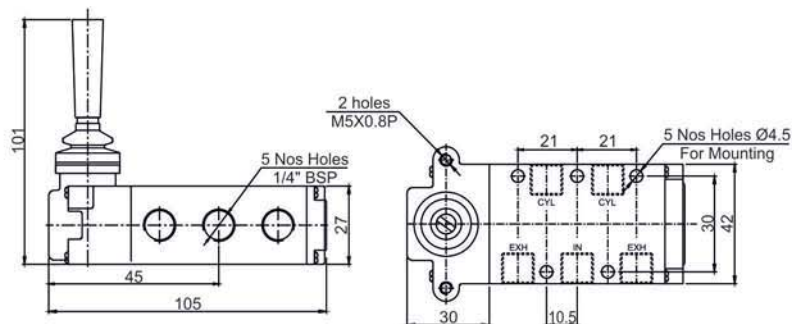
Model	SIKOHL-5-SR	SIKOHL-5-DT
Size	1/4"	1/4"
Design	Spool type,	
Pressure	1 to 10 Kg/cm ²	
Temperature	80 °C	
Leakage	Bubble Tight	
Media	Compressed Air (Filtered & Lubricated)	
Weight (Kg)	0.300	0.300



No.	Part Name	Material
1	Screw	Steel Plated
2	Knob	Nylon
3	Handle	S.S.
4	Bellows	NBR
5	Top Cover	Aluminum Pressure Die Cast
6	Spool Shaft	EN8 Hardchrom Plated
7	'O' Ring	NBR
8	Cage	Polyacetal
9	*Spring	S.S.
10	Collar Washer	Polyacetal
11	End Cover	Nylon
12	Body	Aluminum Pressure Die Cast

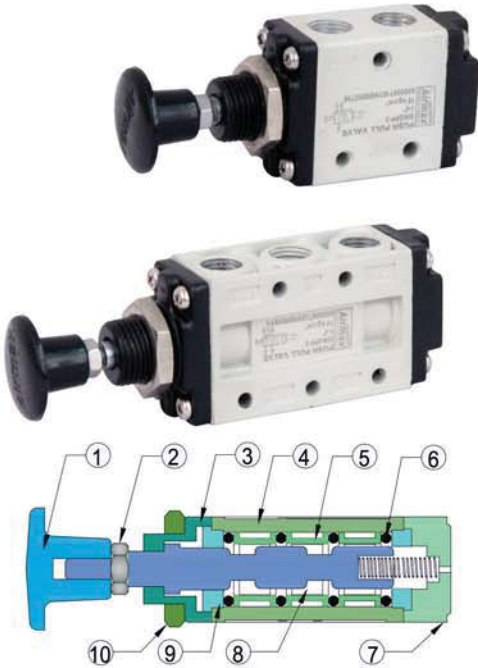
* Only For Spring Return

Size : 1/4" BSP (Dimensions are in mm)



Note : Since, constant worldwide advancement in technology, We keep our rights reserved to make changes time to time in Technical Specification and Dimensions without prior notice.

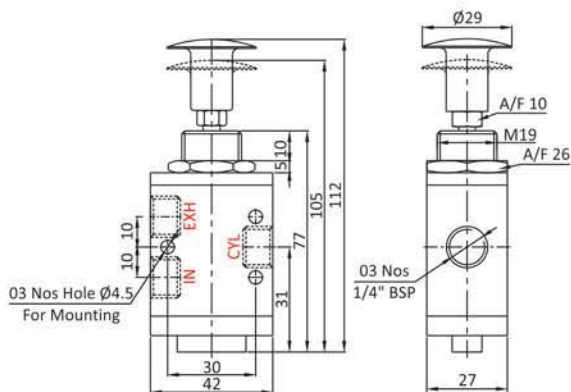
3/2 & 5/2 Way Push Pull Valve (Spring Return / Detent)



No.	Part Name	Material
1	Knob	Nylon
2	Nut	Steel Plated
3	Top Cover	Nylon
4	Body	Aluminum Pressure Die Cast
5	Cage	Polyacetal
6	'O' Ring	NBR
7	Spring	S. Steel
8	End Cover	Nylon
9	Spool	EN8 Hardchrom Plated
10	Washer	Polyacetal
11	Check Nut	Brass

* Only For Spring Return Valve

Size : 1/4" BSP (Dimensions are in mm)



Features

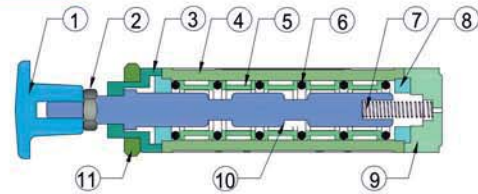
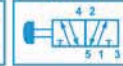
- ▶▶ Heavy & Durable design.
- ▶▶ Aluminum Die Cast Standard Grade with Powder Coating.
- ▶▶ Hard Chrome Plated spool for rust free smooth and long life cycle.
- ▶▶ Superior High Grade Seals
- ▶▶ Simple design easy to maintenance

Technical Specification

Model	SIKOPP - 3	SIKOPP - 5
Size	1/4"	1/4"
Design	Spool type,	
Pressure	10 Kg/cm ²	
Temperature	80 °C	
Leakage	Bubble Tight	
Media	Compressed Air (Filtered & Lubricated)	
Weight (Kg)	0.200	0.200

3/2 Way

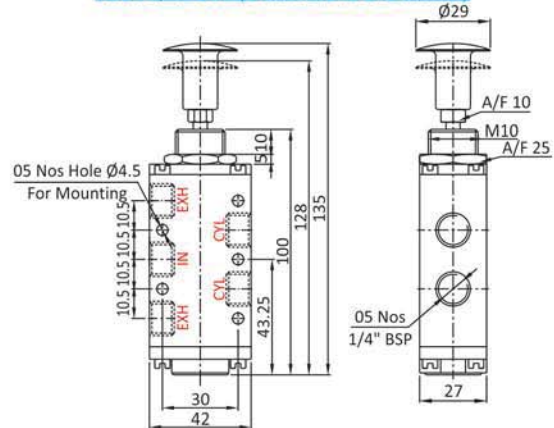
5/2 Way



No.	Part Name	Material
1	Knob	Nylon
2	Nut	Steel Plated
3	Top Cover	Nylon
4	Body	Aluminum Pressure Die Cast
5	Cage	Polyacetal
6	'T' Ring	NBR
*7	Spring	S. Steel
8	Washer	Polyacetal
9	End Cover	Nylon
10	Spool / Shaft	EN8 Hardchrome Plated
11	Check Nut	Brass

* Only For Spring Return Valve

Size : 1/4" BSP (Dimensions are in mm)



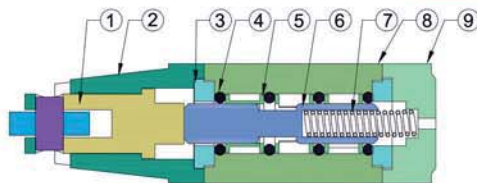
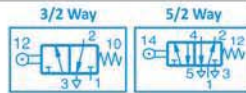
3/2 & 5/2 Way Roller Valve

Features

- ▶▶ Heavy & Durable design.
- ▶▶ Aluminum Die Cast Standard Grade with Powder Coating.
- ▶▶ Hard Chrome Plated spool for rust free smooth and long life cycle.
- ▶▶ Superior High Grade Seals
- ▶▶ Simple design easy to maintenance

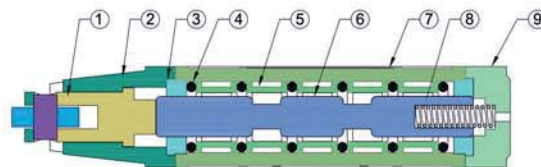
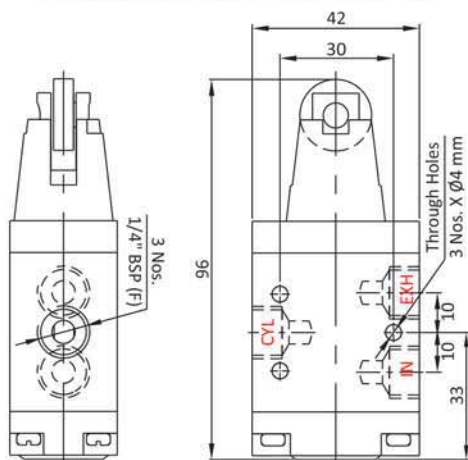
Technical Specification

Model	SIKORV - 3	SIKORV - 5
Size	1/4"	1/4"
Design	Spool type,	
Pressure	1 to 10 Kg/cm ²	
Temperature	80 °C	
Leakage	Bubble Tight	
Media	Compressed Air (Filtered & Lubricated)	
Weight (Kg)	0.300	0.320



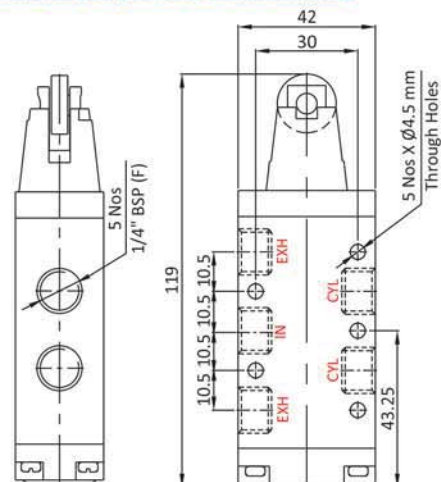
No.	Part Name	Material
1	Roller Set	Hardchrome Plate Steel
2	Top	Aluminum
3	Collar Washer	Polyacetal
4	'O' Ring	NBR
5	Cage	Polyacetal
6	Spool	EN-8 Hardchrome Plated
7	Spring	S. S.
8	Body	Aluminum
9	Bottom	Nylon

Size : 1/4" BSP (Dimensions are in mm)



No.	Part Name	Material
1	Roller Set	Hardchrome Plated Steel
2	Top	Aluminum
3	Collar Washer	Polyacetal
4	'O' - Ring	NBR
5	Cage	Polyacetal
6	Spool	EN-8 Hardchrome Plated
7	Body	Aluminum Pressure Die Cast
8	Spring	S. S.
9	Bottom	Nylon

Size : 1/4" BSP (Dimensions are in mm)



Note : Since, constant worldwide advancement in technology, We keep our rights reserved to make changes time to time in Technical Specification and Dimensions without prior notice.