

# PNEUMATIC DIRECTION CONTROL VALVES

## Features :

- **MOC**  
Aluminium Pressure Die Cast
- **Size**  
1/4" to 1" ( BSP / NPT )
- **Type**  
2 Way, 3 Way, 4 Way & 5 Way Valve
- **Seals**  
Nitrile / NBR / Viton
- **Pressure**  
Upto 10 Kg/cm<sup>2</sup> (High Pressure On Request)
- **Temperature**  
AD 20 Series : Upto 55 °C ( High Temp. On Request )  
RM Series : Upto 80 °C ( High Temp. On Request )

## SOLENOID VALV

### AD 20 SERIES



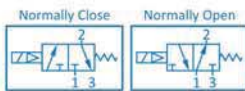
ISO 9001 : 2008  
BUREAU VERITAS  
Certification



**ES & HAND OPERATED VALVES**



## 3/2 Way Single Solenoid Valve

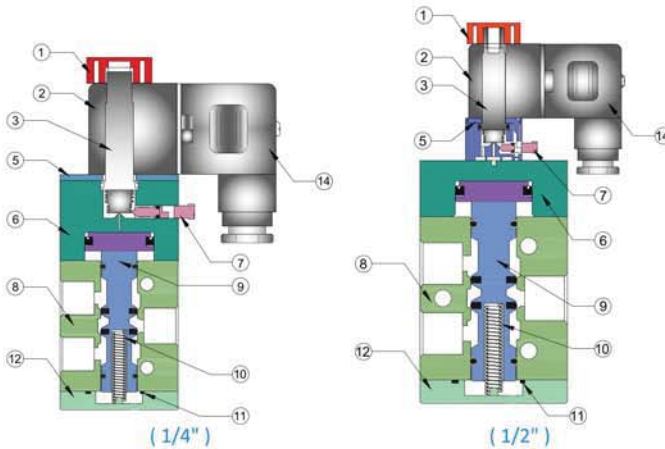


### Features

- ▶▶ Compact Design with Maximum Flow
- ▶▶ Design Suitable For Gang Manifold upto 12 Valves or Above In Single Manifold
- ▶▶ Push & Rotate Lockable Combined Manual Override Function.
- ▶▶ Aluminum Extruded Body with Anodization.

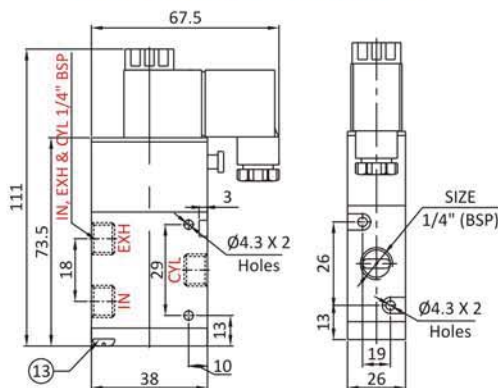
### Technical Specification

Model	2ADSS - 302	2ADSS - 304
Size	1/4"	1/2"
Design	Spool type, Internal Pilot Operated ( External Pilot On Request)	
Pressure	1 to 10 Kg/cm <sup>2</sup>	
Temperature	5 to 55 °C	
Leakage	Bubble Tight	
Duty Cycle	Continuous Rated	
Protection	IP 65 Class F	
Connector	DIN 43650 B	
Response Time	15 msec ON / 25 msec OFF	
Coil Voltage	12V, 24V, 48V, 110V, 230V, (AC / DC) 50 / 60 Hz ( Non Std. Voltage Available On Request )	
Media	Compressed Air ( Filtered & Lubricated )	
Weight (Kg)	0.290	0.585

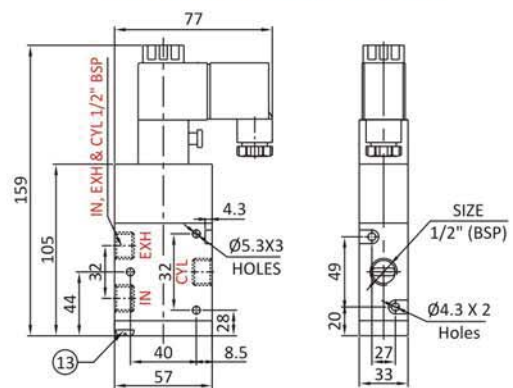


No.	Part Name	Material
1	Nut	Nylon
2	Coil Assembly	Standard Steel
3	Armature Assembly	Steel Plated
4	Screw	Steel Plated
5	SS Plate	Steel Plated
6	Solenoid Cover	Aluminum Powder Coated
7	Manual Adjusting	Aluminum / Nylon
8	Body	Aluminum / Anodized
9	Spool Assembly	Aluminum
10	Spring	Steel Plated
11	End Cover Seal	NBR
12	End Cover	Aluminum Powder Coated
13	Screw with Washer	Steel Plated
14	Connector	Nylon

Size : 1/4" BSP (Dimensions are in mm)



Size : 1/2" BSP (Dimensions are in mm)



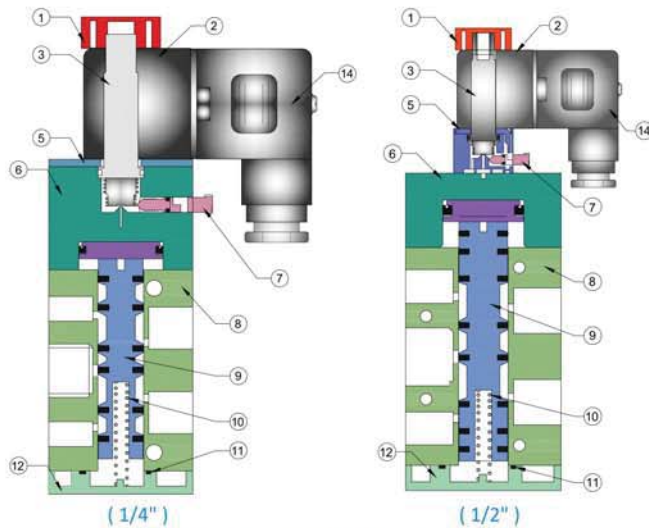
## 5/2 Way Single Solenoid Valve

### Features

- ▶▶ Compact Design with Maximum Flow
- ▶▶ Design Suitable For Gang Manifold upto 12 Valves or Above In Single Manifold
- ▶▶ Push & Rotate Lockable Combined Manual Override Function.
- ▶▶ Aluminum Extruded Body with Anodization.

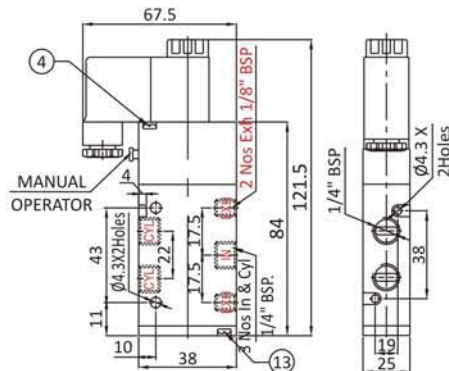
### Technical Specification

Model	2ADSS - 502	2ADSS - 504
Size	1/4"	1/2"
Design	Spool type, Internal Pilot Operated ( External Pilot On Request)	
Pressure	1 to 10 Kg/cm <sup>2</sup>	
Temperature	5 to 55 °C	
Leakage	Bubble Tight	
Duty Cycle	Continuous Rated	
Protection	IP 65 Class F	
Connector	DIN 43650 B	
Response Time	15 msec ON / 25 msec OFF	
Coil Voltage	12V, 24V, 48V, 110V, 230V, (AC / DC) 50 / 60 Hz ( Non Std. Voltage Available On Request )	
Media	Compressed Air ( Filtered & Lubricated )	
Weight (Kg)	0.315	0.750

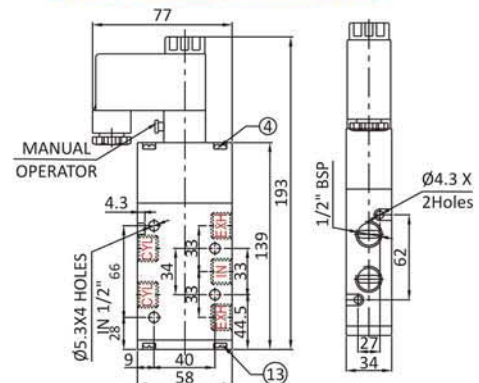


No.	Part Name	Material
1	Nut	Nylon
2	Coil Assembly	Standard Steel
3	Armature Assembly	Steel Plated
4	Screw	Steel Plated
5	SS Plate	Steel Plated
6	Solenoid Cover	Aluminum Powder Coated
7	Manual Adjusting	Aluminum / Nylon
8	Body	Aluminum / Anodized
9	Spool Assembly	Aluminum
10	Spring	Steel Plated
11	End Cover Seal	NBR
12	End Cover	Aluminum Powder Coated
13	Screw with Washer	Steel Plated
14	Connector	Nylon

Size : 1/4" BSP (Dimensions are in mm)

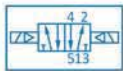


Size : 1/2" BSP (Dimensions are in mm)



Note : Since, constant worldwide advancement in technology, We keep our rights reserved to make changes time to time in Technical Specification and Dimensions without prior notice.

## 5/2 Way Double Solenoid Valve

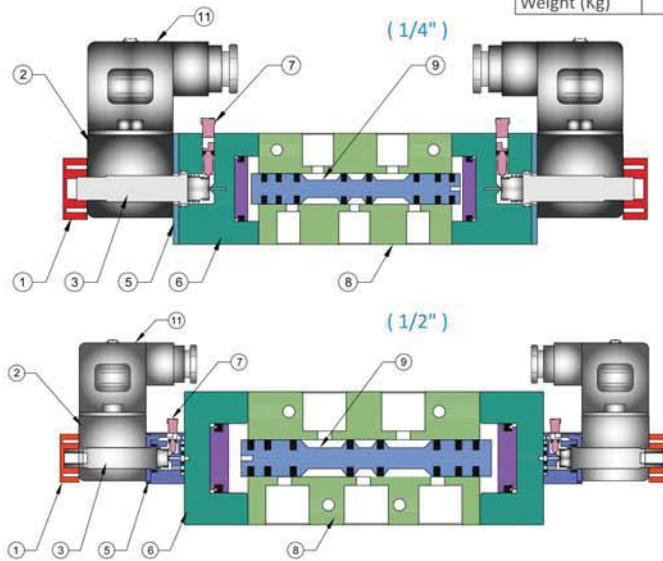


### Features

- ▶▶ Compact Design with Maximum Flow
- ▶▶ Design Suitable For Gang Manifold upto 12 Valves or Above In Single Manifold
- ▶▶ Push & Rotate Lockable Combined Manual Override Function.
- ▶▶ Aluminum Extruded Body with Anodization.

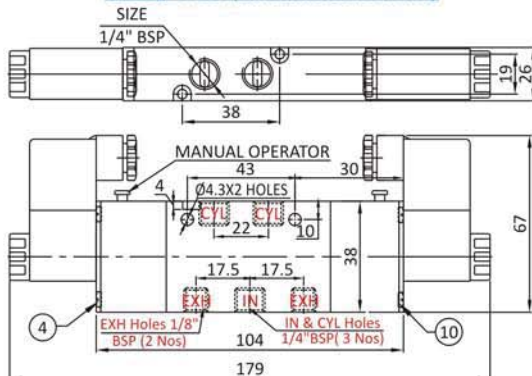
### Technical Specification

Model	2ADDS - 502	2ADDS - 504
Size	1/4"	1/2"
Design	Spool type, Internal Pilot Operated ( External Pilot On Request)	
Pressure	1 to 10 Kg/cm <sup>2</sup>	
Temperature	5 to 55 °C	
Leakage	Bubble Tight	
Duty Cycle	Continuous Rated	
Protection	IP 65 Class F	
Connector	DIN 43650 B	
Response Time	15 msec ON / 25 msec OFF	
Coil Voltage	12V, 24V, 48V, 110V, 230V, (AC / DC) 50 / 60 Hz ( Non Std. Voltage Available On Request )	
Media	Compressed Air ( Filtered & Lubricated )	
Weight (Kg)	0.470	0.955

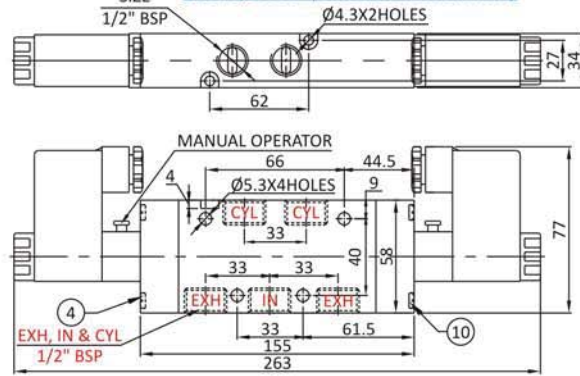


No.	Part Name	Material
1	Nut	Nylon
2	Coil Assembly	Standard Steel
3	Armature Assembly	Steel Plated
4	Screw	Steel Plated
5	SS Plate	Steel Plated
6	Solenoid Cover	Aluminum Powder Coated
7	Manual Adjusting	Aluminum / Nylon
8	Body	Aluminum / Anodized
9	Spool Assembly	Aluminum
10	Screw with Washer	Steel Plated
11	Connector	Nylon

Size : 1/4" BSP (Dimensions are in mm)



Size : 1/2" BSP (Dimensions are in mm)



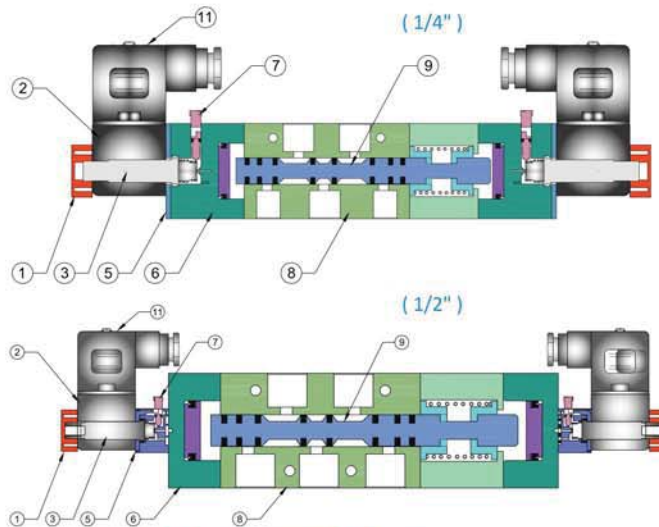
## 5/3 Way Double Solenoid Valve

### Features

- ▶▶ Compact Design with Maximum Flow
- ▶▶ Design Suitable For Gang Manifold upto 12 Valves or Above In Single Manifold
- ▶▶ Push & Rotate Lockable Combined Manual Override Function.
- ▶▶ Aluminum Extruded Body with Anodization.

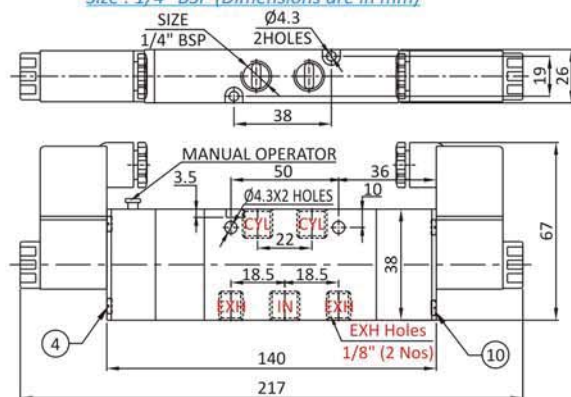
### Technical Specification

Model	3ADDS - 502	3ADDS - 504
Size	1/4"	1/2"
Design	Spool type, Internal Pilot Operated ( External Pilot On Request)	
Pressure	1 to 10 Kg/cm <sup>2</sup>	
Temperature	5 to 55 °C	
Leakage	Bubble Tight	
Duty Cycle	Continuous Rated	
Protection	IP 65 Class F	
Connector	DIN 43650 B	
Response Time	15 msec ON / 25 msec OFF	
Coil Voltage	12V, 24V, 48V, 110V, 230V, (AC / DC) 50 / 60 Hz ( Non Std. Voltage Available On Request )	
Media	Compressed Air ( Filtered & Lubricated )	
Weight (Kg)	0.315	0.750

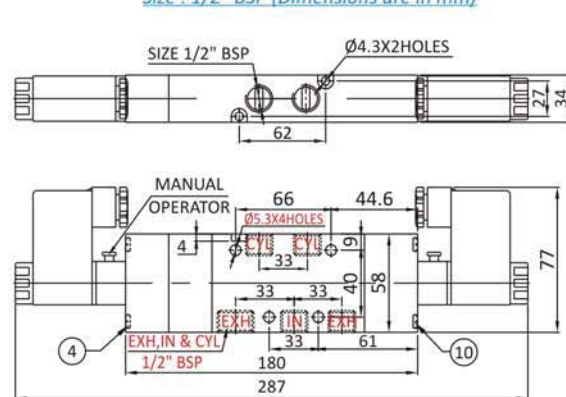


No.	Part Name	Material
1	Nut	Nylon
2	Coil Assembly	Standard Steel
3	Armature Assembly	Steel Plated
4	Screw	Steel Plated
5	SS Plate	Steel Plated
6	Solenoid Cover	Aluminum Powder Coated
7	Manual Adjusting	Aluminum / Nylon
8	Body	Aluminum / Anodized
9	Spool Assembly	Aluminum
10	Screw with Washer	Steel Plated
11	Connector	Nylon

Size : 1/4" BSP (Dimensions are in mm)



Size : 1/2" BSP (Dimensions are in mm)



Note : Since, constant worldwide advancement in technology, We keep our rights reserved to make changes time to time in Technical Specification and Dimensions without prior notice.



## 3/2 Way Single Pilot Valve

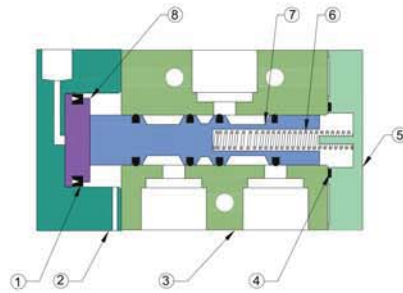
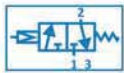
### Features

- ▶▶ Compact Design with Maximum Flow
- ▶▶ Aluminum Extruded Body with Anodization



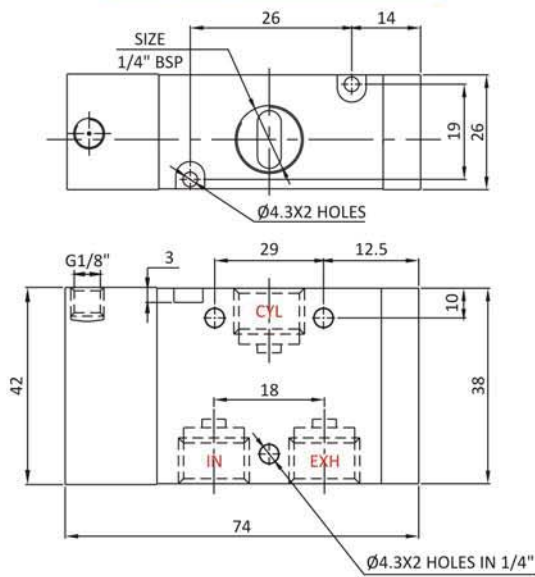
### Technical Specification

Model	2ADSP - 302	2ADSP - 304
Size	1/4"	1/2"
Design	Spool type	
Pressure	1 to 10 Kg/cm <sup>2</sup>	
Temperature	5 to 55 °C	
Leakage	Bubble Tight	
Media	Compressed Air ( Filtered & Lubricated )	
Weight (Kg)	0.200	0.490



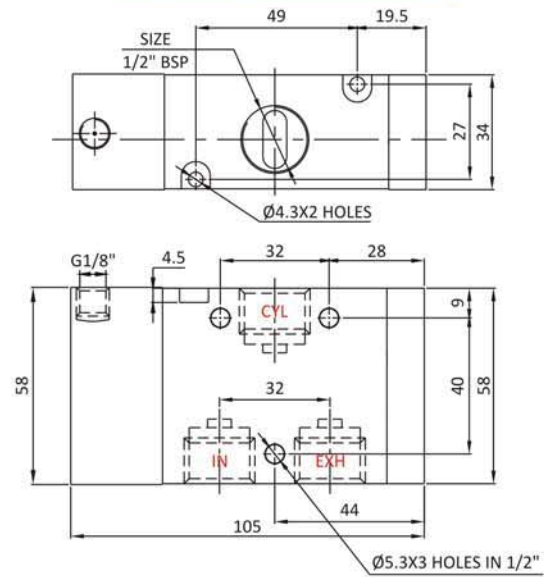
No.	Part Name	Material
1	'V' Seal	NBR
2	Pilot Cover	Aluminum
3	Body	Aluminum Anodized
4	Cover Seal	NBR
5	End Cover	Aluminum
6	Spring	S. S.
7	Spool Assembly	Aluminum
8	Piston	Aluminum

Size : 1/4" BSP (Dimensions are in mm)



IN,EXH & CYL 1/4" BSP X3 Holes In 1/4"  
IN,EXH & CYL 1/2" BSP X3 Holes In 1/2"

Size : 1/2" BSP (Dimensions are in mm)



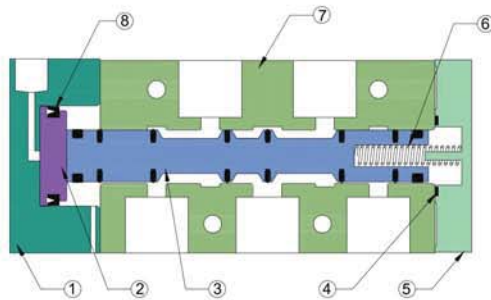
## 5/2 Way Single Pilot Valve

### Features

- ▶▶ Compact Design with Maximum Flow
- ▶▶ Aluminum Extruded Body with Anodization

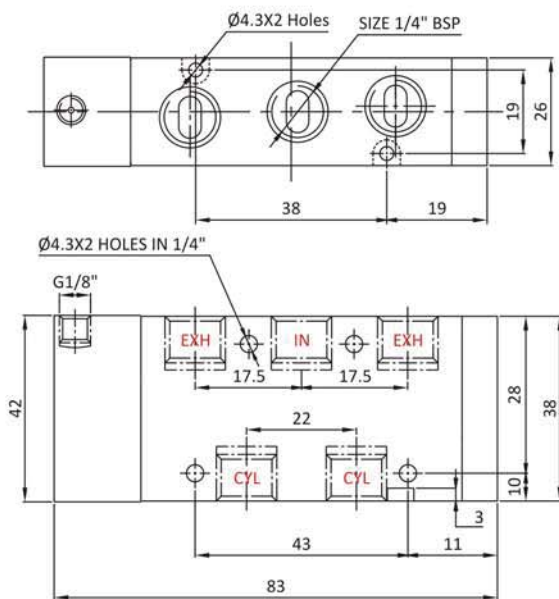
### Technical Specification

Model	2ADSP - 502	2ADSP - 504
Size	1/4"	1/2"
Design	Spool type	
Pressure	1 to 10 Kg/cm <sup>2</sup>	
Temperature	5 to 55 °C	
Leakage	Bubble Tight	
Media	Compressed Air ( Filtered & Lubricated )	
Weight (Kg)	0.215	0.635



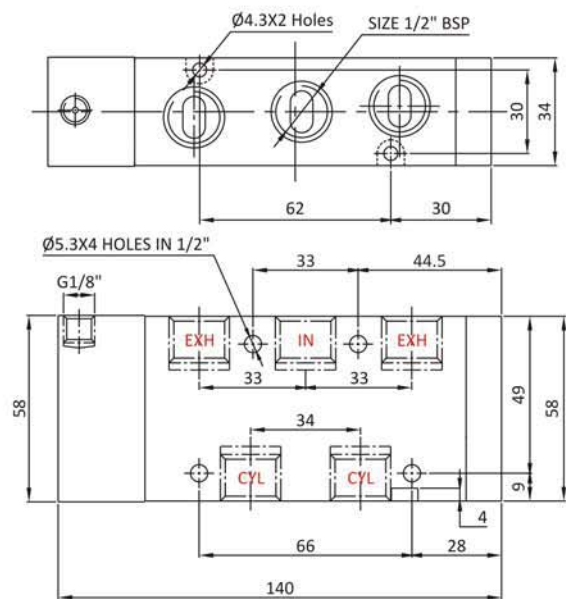
No.	Part Name	Material
1	Pilot Cover	Aluminium
2	Piston	Aluminium
3	Spool Assembly	Aluminium
4	Cover Seal	NBR
5	End Cover	Aluminium
6	Spring	Steel Plated
7	Body	Aluminium Anodized
8	'V' Seal	NBR

Size : 1/4" BSP (Dimensions are in mm)



IN & CYL Holes 1/4" BSP X3 Holes in 1/4" & EXH Hole 1/8" BSP in 1/4".  
IN, EXH & CYL Holes 1/2" BSP X5 Holes in 1/2"

Size : 1/2" BSP (Dimensions are in mm)







**AD 20 Series**  
Compact Design

**5/2 Way Double Pilot Valve**

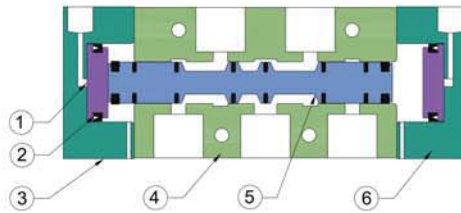
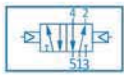


**Features**

- ▶▶ Compact Design with Maximum Flow
- ▶▶ Aluminum Extruded Body with Anodization

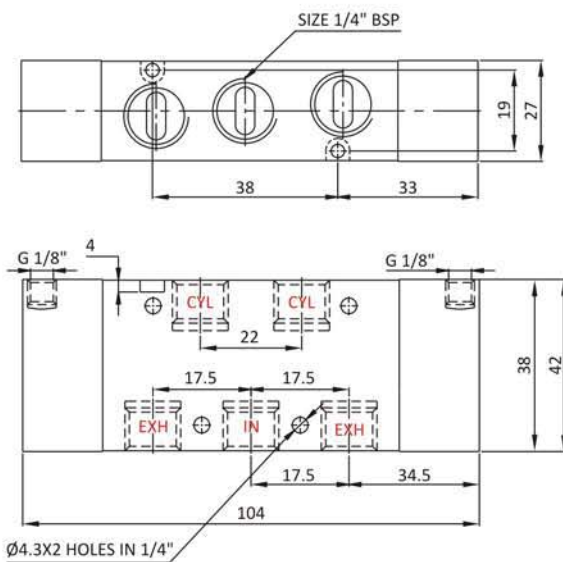
**Technical Specification**

Model	2ADDP - 502	2ADDP - 504
Size	1/4"	1/2"
Design	Spool type	
Pressure	1 to 10 Kg/cm <sup>2</sup>	
Temperature	5 to 55 °C	
Leakage	Bubble Tight	
Media	Compressed Air ( Filtered & Lubricated )	
Weight (Kg)	0.275	0.700



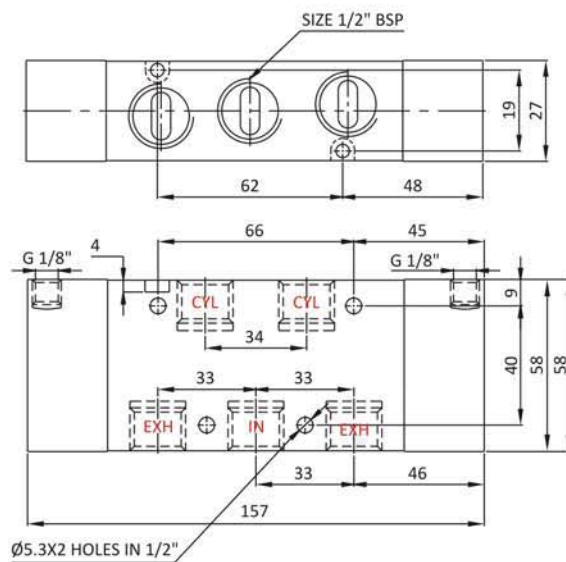
No.	Part Name	Material
1	Piston	Aluminium
2	'V' Seal	NBR
3	Pilot Cover	Aluminium
4	Body	Aluminium Anodized
5	Spool Assembly	Aluminium
6	Piston Cover	Aluminium

Size : 1/4" BSP (Dimensions are in mm)



IN & CYL Holes 1/4" BSP X3 Holes in 1/4" & EXH Hole 1/8" BSP in 1/4".  
IN, EXH & CYL Holes 1/2" BSP X5 Holes in 1/2"

Size : 1/2" BSP (Dimensions are in mm)



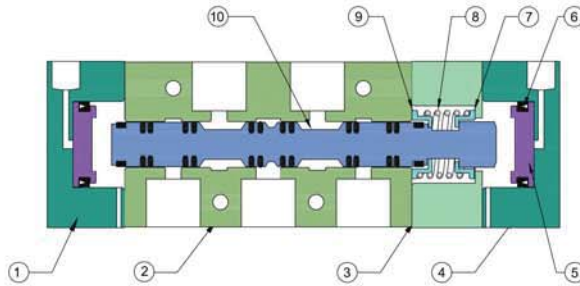
## 5/3 Way Double Pilot Valve

### Features

- ▶▶ Compact Design with Maximum Flow
- ▶▶ Aluminum Extruded Body with Anodization

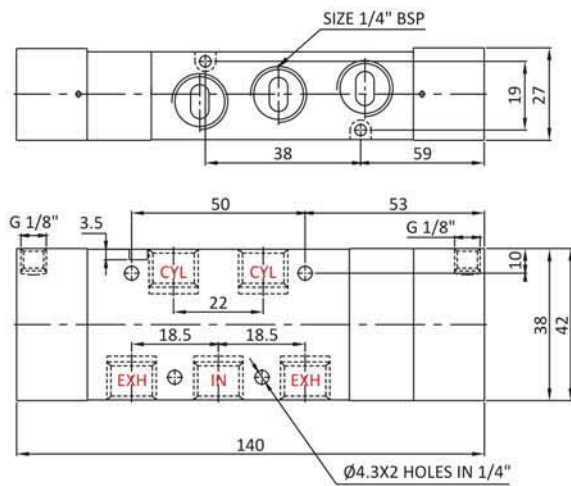
### Technical Specification

Model	3ADDP - 502	3ADDP - 504
Size	1/4"	1/2"
Design	Spool type	
Pressure	1 to 10 Kg/cm <sup>2</sup>	
Temperature	5 to 55 °C	
Leakage	Bubble Tight	
Media	Compressed Air ( Filtered & Lubricated )	
Weight (Kg)	0.200	0.625



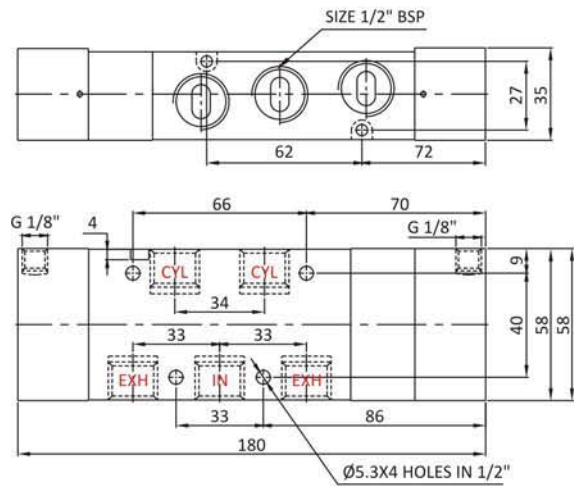
No.	Part Name	Material
1	Pilot Cover	Aluminium
2	Body	Aluminium Anodized
3	Cover	Steel Plated
4	Pilot Cover	Aluminium
5	Piston	Aluminium
6	'V' Seal	NBR
7	Spacer	Aluminium
8	Spring	Steel Plated
9	Spacer	Aluminium
10	Spool Assembly	Aluminium

Size : 1/4" BSP (Dimensions are in mm)



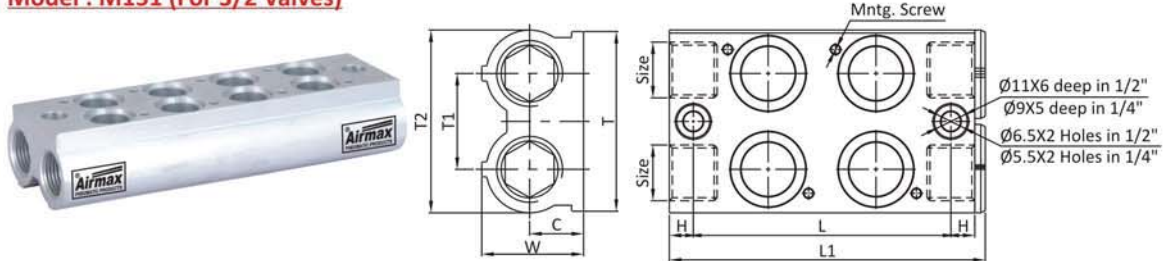
IN & CYL Holes 1/4" BSP X3 Holes in 1/4" & EXH Hole 1/8" BSP in 1/4".  
IN, EXH & CYL Holes 1/2" BSP X5 Holes in 1/2"

Size : 1/2" BSP (Dimensions are in mm)



## Gang Manifold

### Model : M151 (For 3/2 Valves)

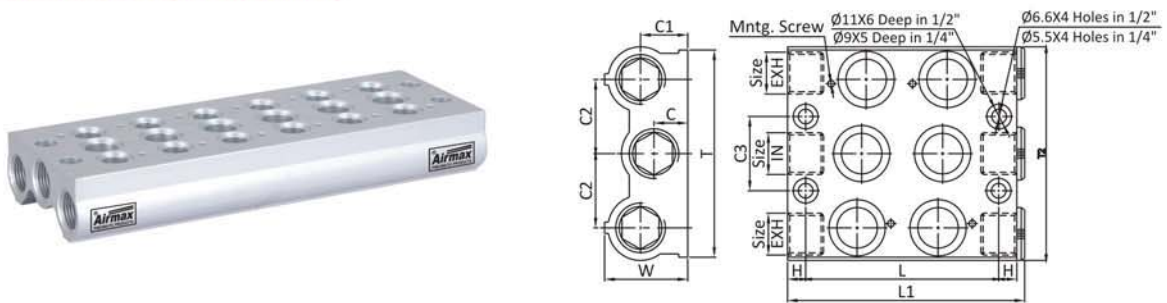


#### Dimensions :

(All Dimensions are in mm)

MODEL	SIZE	T	T1	T2	C	W	H	Screw	L (Number of Valves)					L1 (Number of Valves)				
									2	4	6	8	10	2	4	6	8	10
M151-02	1/4"	38	26	49	17	29.5	8	M4 X 40	65	119	173	227	281	85	139	193	247	301
M151-04	1/2"	60	32	61	18	34	8	M4 X 60	86	158	230	302	374	107	179	251	323	395

### Model : M013 (For 5/2 Valves)



#### Dimensions :

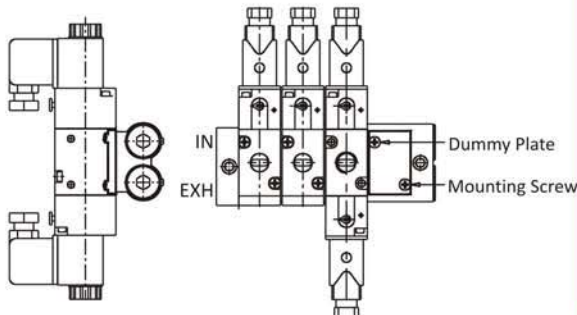
(All Dimensions are in mm)

MODEL	SIZE	T	T2	C	C1	C2	C3	W	H	Screw	L (Number of Valves)					L1 (Number of Valves)				
											2	4	6	8	10	2	4	6	8	10
M013-02	1/4"	70	74	12	17	25.5	25.5	29.5	8	M4 X 40	65	119	173	227	281	85	139	193	247	301
M013-04	1/2"	93	95	15	21	33	33	37	8	M4 X 60	86	158	230	302	374	107	179	251	323	395

### Dummy Plate Assembly For Manifold Type M151 (3/2 Valves)

#### Application:

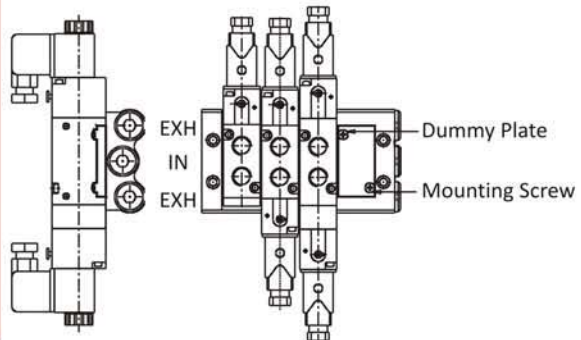
Dummy Plate assembly can be used to plug the unutilized position in a manifold. For eg., if it is required to mount only 3 valves on manifold, the 4 position can be plugged and made dummy using a cover plate assembly. (Refer given drawing below)



### Dummy Plate Assembly For Manifold Type M013 (5/2 & 5/3 Valves)

#### Application:

Dummy Plate assembly can be used to plug the unutilized position in a manifold. For eg., if it is required to mount only 3 valves on manifold, valves the 4 position can be plugged and made dummy using a cover plate assembly. (Refer given drawing below)



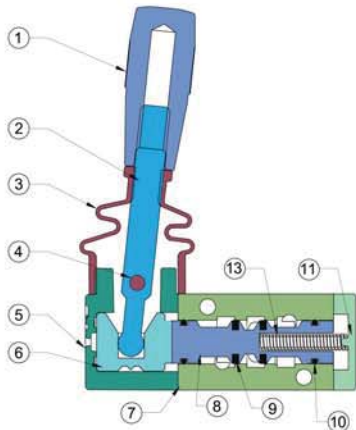
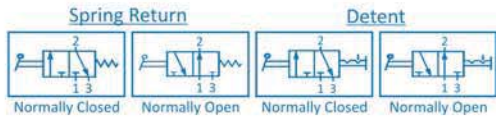
## 3/2 Way Hand Lever Valve (Spring Return / Detent)

### Features

- ▶▶ Compact Design with Maximum Flow
- ▶▶ Aluminum Extruded Body with Anodized

### Technical Specification

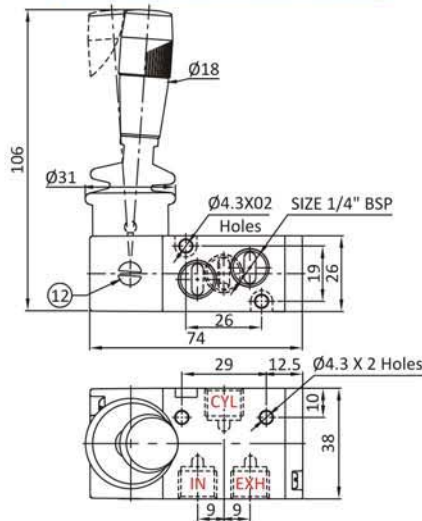
Model	2AD-HR-405	2AD-HR-407	2AD-HD-455	2AD-HD-457
Size	1/4"	1/2"	1/4"	1/2"
Type	Spring Return		Detent	
Design	Spool type			
Pressure	10 Kg/cm <sup>2</sup>			
Temperature	5 to 55 °C			
Flow rate in SCFM Lts. / Min @6 Kg	42	123	42	123
Recommended Oil For Lubrication	ISO VG32			
Leakage	Bubble Tight			
Media	Compressed Air ( Filtered & Lubricated )			
Weight (Kg)	0.250	0.700	0.250	0.700



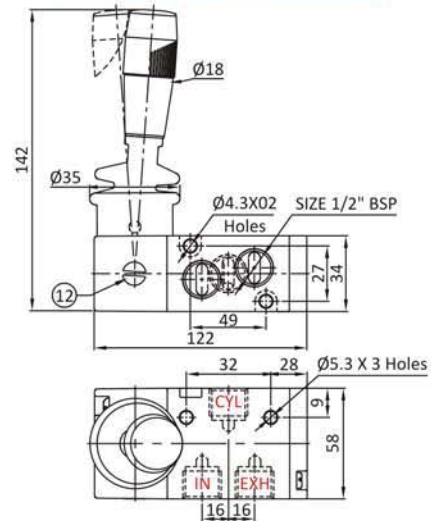
No.	Part Name	Material
1	Knob	Nylon
2	Handle	Hardchrome Plated
3	Bellow	NBR
4	Dowel Pin	Hardchrome Plated
5	Top Cover	Aluminum Pressure Die Cast
6	Piston	Standard Steel
7	Body	Aluminum
8	Spool	Aluminum
9	Seals Ring	NBR
10	Guide Ring	NBR / PTFE / Polyacetal
11	End Cover	Aluminum / Nylon
12	Cushioning Set	Brass / S. S.
13	*Spring	S. S.

\* For Spring Return Only.

Size : 1/4" BSP (Dimensions are in mm)

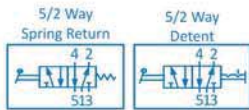


Size : 1/2" BSP (Dimensions are in mm)



Note : Since, constant worldwide advancement in technology, We keep our rights reserved to make changes time to time in Technical Specification and Dimensions without prior notice.

## 5/2 Way Hand Lever Valve (Spring Return / Detent)



No.	Part Name	Material
1	Knob	Nylon
2	Handle	Hardchrome Plated
3	Bellow	NBR
4	Dowel Pin	Hardchrome Plated
5	Top Cover	Aluminum Pressure Die Cast
6	Piston	Standard Steel
7	Body	Aluminum
8	Spool	Aluminum
9	Seals Ring	NBR
10	Guide Ring	NBR / PTFE / Polyacetal
11	End Cover	Aluminum / Nylon
12	Cushioning Set	Brass / S. S.
13	*Spring	S. S.

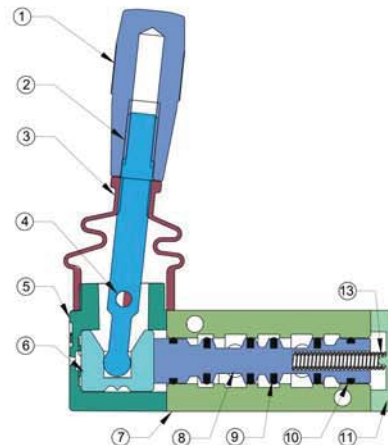
\* For Spring Return Only.

### Features

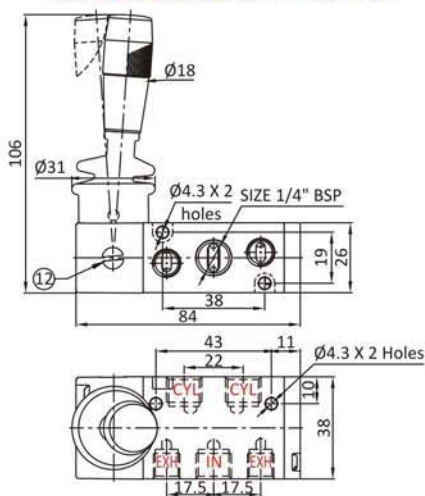
- ▶▶ Compact Design with Maximum Flow
- ▶▶ Aluminum Extruded Body with Anodized

### Technical Specification

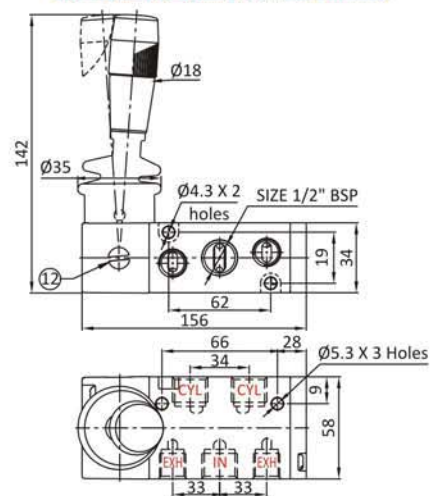
Model	2AD-HR-505	2AD-HR-507	2AD-HD-555	2AD-HD-557
Size	1/4"	1/2"	1/4"	1/2"
Type	Spring Return		Detent	
Design	Spool type			
Pressure	10 Kg/cm <sup>2</sup>			
Temperature	5 to 55 °C			
Flow rate in SCFM Lts. / Min @6 Kg	42	123	42	123
Recommended Oil For Lubrication	ISO VG32			
Leakage	Bubble Tight			
Media	Compressed Air ( Filtered & Lubricated )			
Weight (Kg)	0.250	0.800	0.250	0.800



Size : 1/4" BSP (Dimensions are in mm)



Size : 1/2" BSP (Dimensions are in mm)



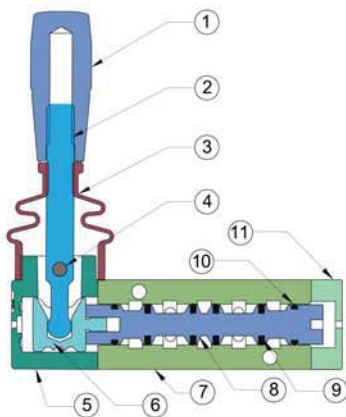
## 5/3 Way Hand Lever Valve (Detent)

### Features

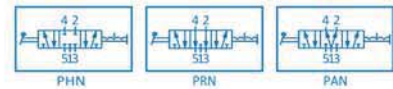
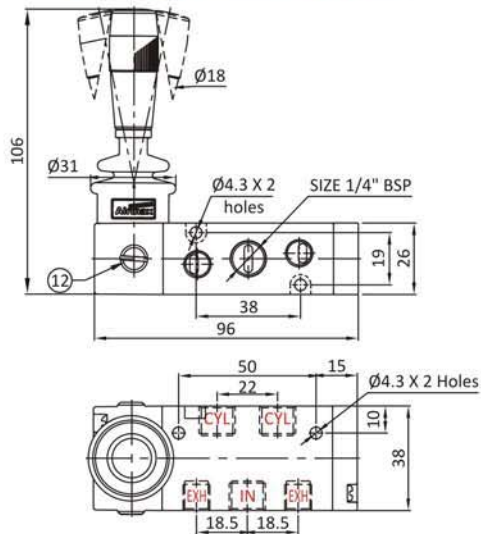
- ▶▶ Compact Design with Maximum Flow
- ▶▶ Aluminum Extruded Body with Anodized

### Technical Specification

Model	3AD-HR-605	3AD-HR-607
Size	1/4"	1/2"
Type	Spring Return	
Design	Spool type	
Pressure	10 Kg/cm <sup>2</sup>	
Temperature	5 to 55 °C	
Flow rate in SCFM Lts. / Min @6 Kg	42	123
Recommended Oil For Lubrication	ISO VG32	
Leakage	Bubble Tight	
Media	Compressed Air ( Filtered & Lubricated )	
Weight (Kg)	0.280	0.800

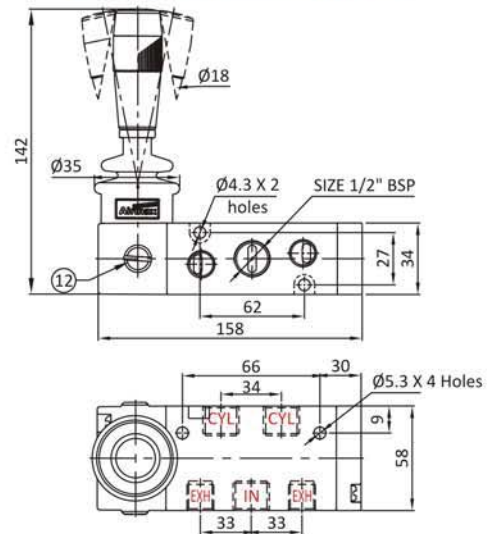


Size : 1/4" BSP (Dimensions are in mm)



No.	Part Name	Material
1	Knob	Nylon
2	Handle	Hardchrome Plated
3	Bellow	NBR
4	Dowel Pin	Hardchrome Plated
5	Top Cover	Aluminum Pressure Die Cast
6	Piston	Standard Steel
7	Body	Aluminum
8	Spool	Aluminum
9	Seals Ring	NBR
10	Guide Ring	NBR / PTFE / Polyacetal
11	End Cover	Aluminum / Nylon
12	Cushioning Set	Brass / S. S.

Size : 1/2" BSP (Dimensions are in mm)



Note : Since, constant worldwide advancement in technology, We keep our rights reserved to make changes time to time in Technical Specification and Dimensions without prior notice.

## 5/3 Way Hand Lever Valve (Center Spring)

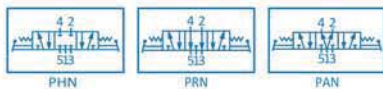


### Features

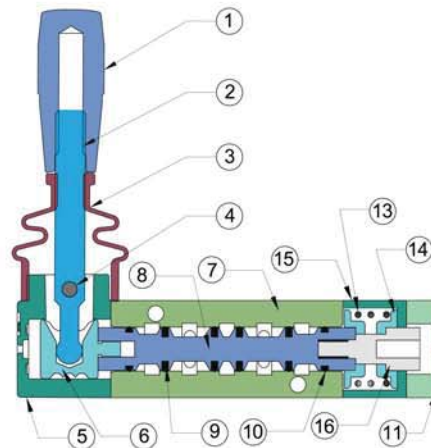
- ▶▶ Compact Design with Maximum Flow
- ▶▶ Aluminum Extruded Body with Anodized

### Technical Specification

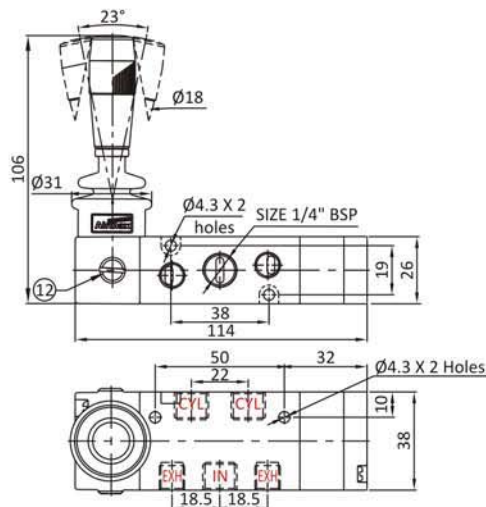
Model	3AD-HC-605	3AD-HC-607
Size	1/4"	1/2"
Type	Spring Return	Detent
Design	Spool type	
Pressure	10 Kg/cm <sup>2</sup>	
Temperature	5 to 55 °C	
Flow rate in SCFM Lts. / Min @ 6 Kg	42	123
Recommended Oil For Lubrication	ISO VG32	
Leakage	Bubble Tight	
Media	Compressed Air ( Filtered & Lubricated )	
Weight (Kg)	0.300	----



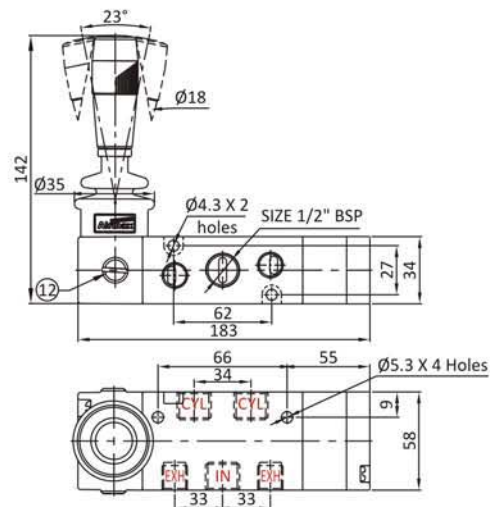
No.	Part Name	Material
1	Knob	Nylon
2	Handle	Hardchrome Plated
3	Bellow	NBR
4	Dowel Pin	Hardchrome Plated
5	Top Cover	Aluminum Pressure Die Cast
6	Piston	Standard Steel
7	Body	Aluminum
8	Spool	Aluminum
9	Seals Ring	NBR
10	Guide Ring	NBR / PTFE / Polyacetal
11	End Cover	Aluminum / Nylon
12	Cushioning Set	Brass / S. S.
13	Spring	S. S.
14	Spacer	Polyacetal
15	Cover	Aluminum / Nylon
16	Stud	Aluminum



Size : 1/4" BSP (Dimensions are in mm)



Size : 1/2" BSP (Dimensions are in mm)



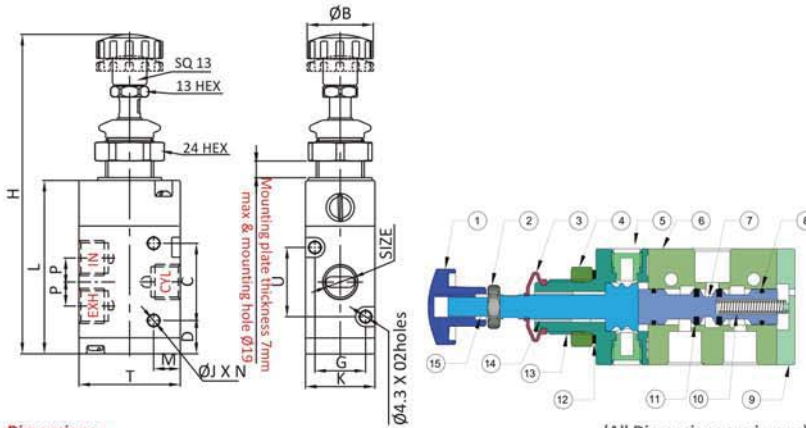
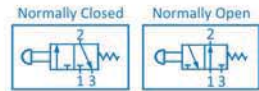
## 3/2 Way Push Pull Valve (Spring Return / Detent)

### Features

- ▶▶ Compact Design with Maximum Flow
- ▶▶ Aluminum Extruded Body with Anodized

### Technical Specification

Model	2AD-PR-405	2AD-PR-407	2AD-PD-405	2AD-PD-407
Size	1/4"	1/2"	1/4"	1/2"
Type	Spring Return		Detent	
Design	Spool type			
Pressure	10 Kg/cm <sup>2</sup>			
Temperature	5 to 55 °C			
Flow rate in SCFM Lts. / Min @ 6 Kg	42	123	42	123
Recommended Oil For Lubrication	ISO VG32			
Leakage	Bubble Tight			
Media	Compressed Air ( Filtered & Lubricated )			
Weight (Kg)	0.250	0.700	0.250	0.700

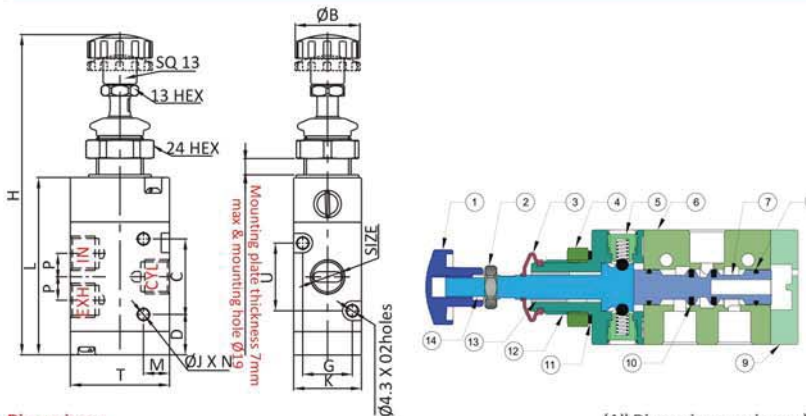


### Dimensions :

(All Dimensions are in mm)

MODEL	SIZE	L	H	K	G	U	T	M	C	D	P	ØJ	N	ØB
2AD-PR-405	1/4"	65	122	26	19	26	38	10	29	12.5	9	4.3	2	25
2AD-PR-407	1/2"	104	166	34	27	49	58	9	32	28	16	5.3	3	25

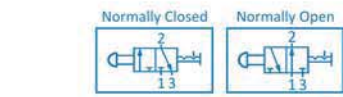
No.	Part Name	Material
1	Knob	Nylon
2	Nut	Standard Steel
3	Bellow	NBR
4	Check Nut	S. S.
5	Cushioning Set	Brass / S. S.
6	Body	Aluminum
7	Spool	Aluminum
8	'O' Ring	NBR
9	End Cover	Aluminum / Nylon
10	Spring	S. S.
11	Seals Ring	NBR
12	Flat Ring	NBR
13	Top Cover	Aluminum
14	Teflon Ring	PTFE
15	Piston Set	Standard Steel



### Dimensions :

(All Dimensions are in mm)

MODEL	SIZE	L	H	K	G	U	T	M	C	D	P	ØJ	N	ØB
2AD-PD-405	1/4"	68	125	26	19	26	38	10	29	15.5	9	4.3	2	25
2AD-PD-407	1/2"	104	166	34	27	49	58	9	32	28	16	5.3	3	25



No.	Part Name	Material
1	Knob	Nylon
2	Nut	Standard Steel
3	Bellow	NBR
4	Check Nut	S. S.
5	Cushioning Set	Brass / S. S.
6	Body	Aluminum
7	Spool	Aluminum
8	'O' Ring	NBR
9	End Cover	Aluminum / Nylon
10	Seals Ring	NBR
11	Flat Ring	NBR
12	Top Cover	Aluminum
13	Teflon Ring	PTFE
14	Piston Set	Standard Steel

Note : Since, constant worldwide advancement in technology, We keep our rights reserved to make changes time to time in Technical Specification and Dimensions without prior notice.





## 5/2 Way Push Pull Valve (Spring return / Detent)

### Features

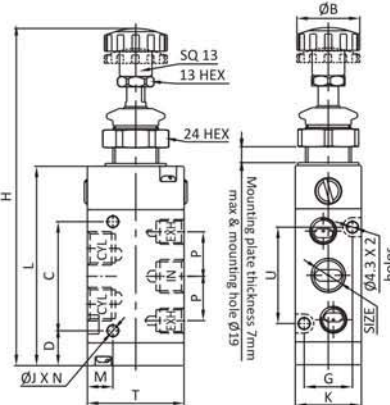
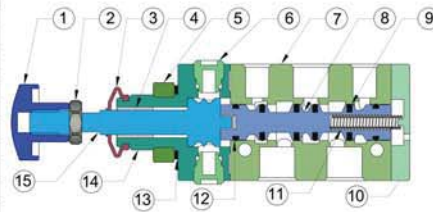
- ▶▶ Compact Design with Maximum Flow
- ▶▶ Aluminum Extruded Body with Anodized

### Technical Specification

Model	2AD-PR-505	2AD-PR-507	2AD-PD-505	2AD-PD-507
Size	1/4"	1/2"	1/4"	1/2"
Type	Spring Return		Detent	
Design	Spool type			
Pressure	10 Kg/cm <sup>2</sup>			
Temperature	5 to 55 °C			
Flow rate in SCFM Lts. / Min @6 Kg	42	123	42	123
Recommended Oil For Lubrication	ISO VG32			
Leakage	Bubble Tight			
Media	Compressed Air ( Filtered & Lubricated )			
Weight (Kg)	0.250	0.700	0.250	0.700



No.	Part Name	Material
1	Knob	Nylon
2	Nut	Standard Steel
3	Bellow	NBR
4	Teflon Ring	PTFE
5	Check Nut	S. S.
6	Cushioning Set	Brass / S. S.
7	Body	Aluminum
8	Spool	Aluminum
9	Seals Ring	NBR
10	End Cover	Aluminum / Nylon
11	Spring	S. S.
12	'O' Ring	NBR
13	Flat Ring	NBR
14	Top Cover	Aluminum
15	Piston Set	Standard Steel

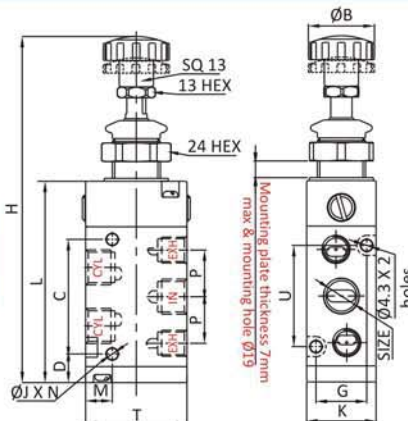
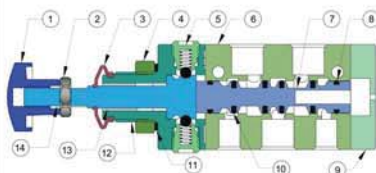
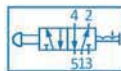


#### Dimensions :

MODEL	SIZE	L	H	K	G	U	T	M	C	D	P	ØJ	N	ØB
2AD-PR-505	1/4"	76	132	26	19	38	38	10	43	11	17.5	4.3	2	25
2AD-PR-507	1/2"	138	200	34	27	62	58	09	66	28	16.5	5.3	4	25

(All Dimensions are in mm)

No.	Part Name	Material
1	Knob	Nylon
2	Nut	Standard Steel
3	Bellow	NBR
4	Check Nut	S. S.
5	Cushioning Set	Brass / S. S.
6	Body	Aluminum
7	Spool	Aluminum
8	'O' Ring	NBR
9	End Cover	Aluminum / Nylon
10	Seals Ring	NBR
11	Flat Ring	NBR
12	Top Cover	Aluminum
13	Teflon Ring	PTFE
14	Piston Set	Standard Steel



#### Dimensions :

MODEL	SIZE	L	H	K	G	U	T	M	C	D	P	ØJ	N	ØB
2AD-PD-505	1/4"	79	135	26	19	38	38	10	43	13.7	17.5	4.3	2	25
2AD-PD-507	1/2"	138	200	34	27	62	58	9	66	28	16.5	5.3	4	25

(All Dimensions are in mm)

## 2/2 Way Direct Acting Solenoid Valve (Normally Closed)

### Features

- ▶▶ Aluminum Graded Pressure Die Cast
- ▶▶ Compact & Light Weight
- ▶▶ Universal Mounting Type
- ▶▶ Coil Available in Both Wire type & DIN Connector
- ▶▶ Flameproof Coil Available

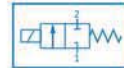
### Technical Specification

Model	AJCS - 01 - 202
Size	1/4" BSP
Orifice	3 mm
Pressure	10 Kg/cm <sup>2</sup>
Temperature	Upto 55 °C
Leakage	Bubble Tight
Flow	250
Media	Air ( Filtered & Lubricated )
Coil Voltage	24V, 48V, 110V, 230V AC

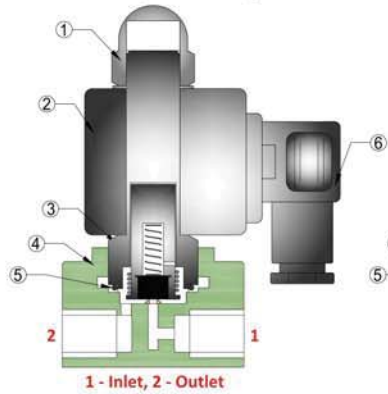


### Technical Specification

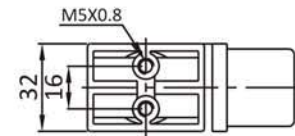
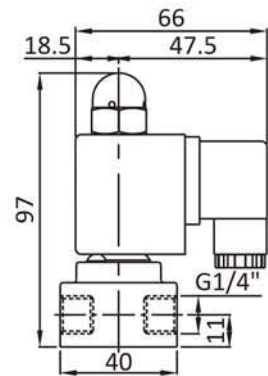
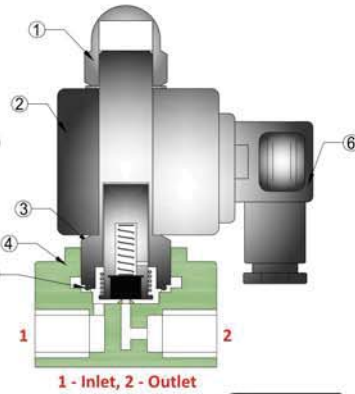
Model	AJDS-02-202	AJDS-03-202	AJDS-04-202
Size	1/4" BSP		
Orifice	2.5 mm	2 mm	1.2 mm
Pressure	7 Kg/cm <sup>2</sup>	10 Kg/cm <sup>2</sup>	20 Kg/cm <sup>2</sup>
Temperature	Upto 55 °C		
Leakage	Bubble Tight		
Flow	180	140	60
Media	Air ( Filtered & Lubricated )		
Coil Voltage	24V, 48V, 110V, 230V AC 12V, 24V, 48V, 110V DC		



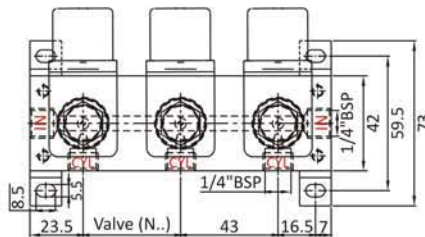
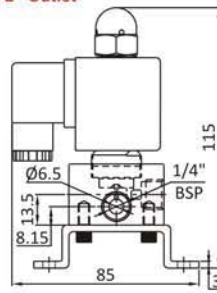
Only Applicable for this model  
AJDS-02-202 / AJDS-03-202 / AJDS-04-202



Only Applicable for this model  
AJCS-01-202

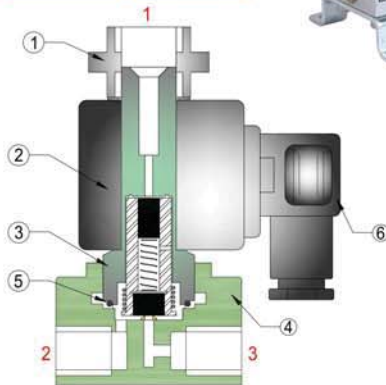
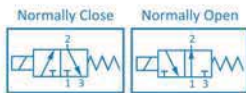
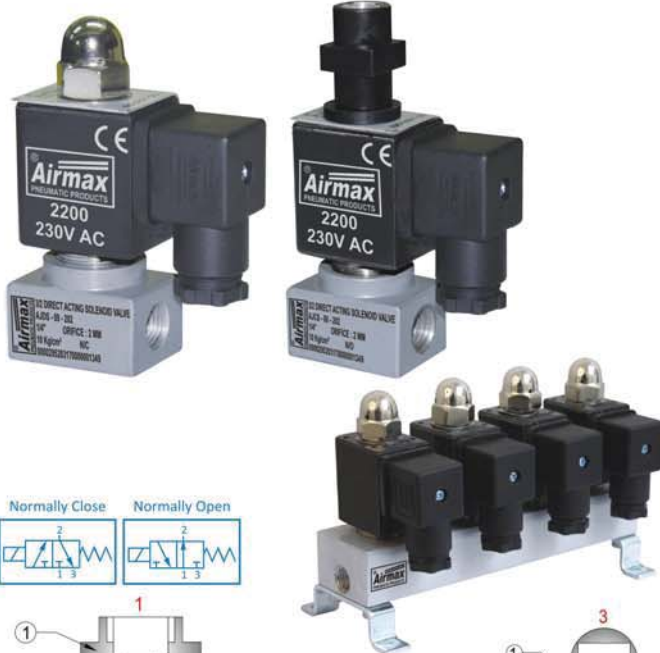


No.	Part Name	Material
1	Cap	Steel Nickle Plated
2	Coil	'F' Class
3	Armature Assembly	Standard Steel
4	Body	Aluminum Pressure Die Cast
5	'O' Ring	NBR
6	DIN Connector	DIN 43650 A

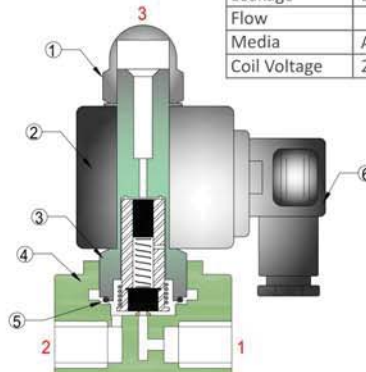


Note : Since, constant worldwide advancement in technology, We keep our rights reserved to make changes time to time in Technical Specification and Dimensions without prior notice.

## 3/2 Way Direct Acting Solenoid Valve (Normally Open & Closed)



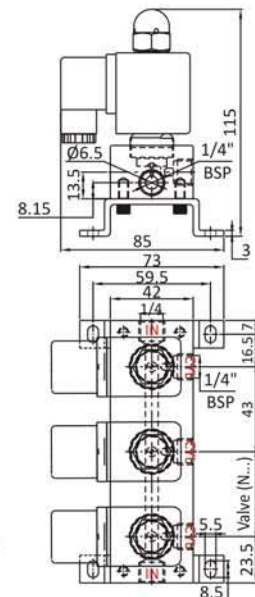
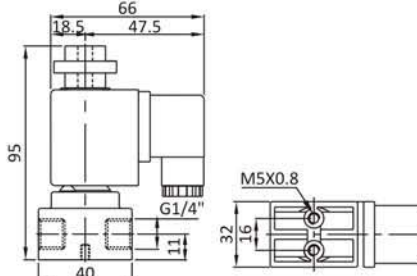
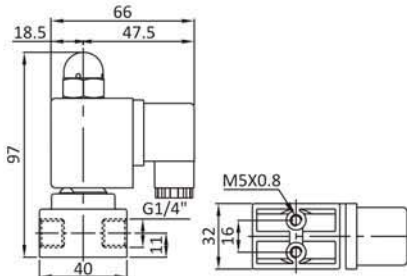
**1 - Inlet, 2 - Outlet, 3 - Exhaust**  
**Normally Open**



**1 - Inlet, 2 - Outlet, 3 - Exhaust**  
**Normally Close**

No.	Part Name	Material
1	Connector	Aluminum
2	Coil	'F' Class
3	Armature Assembly	Standard Steel
4	Body	Aluminum Pressure Die Cast
5	'O' Ring	NBR
6	Din Connector	DIN 43650A

No.	Part Name	Material
1	Cap	M. S.
2	Coil	'F' Class
3	Armature Assembly	Standard Steel
4	Body	Aluminum Pressure Die Cast
5	'O' Ring	NBR
6	DIN Connector	DIN 43650 A



### Features

- ▶▶ Aluminum Graded Pressure Die Cast
- ▶▶ Compact & Light Weight
- ▶▶ Universal Mounting Type
- ▶▶ Metal Dom Cap Nut for Dust Protection
- ▶▶ Coil Available in Both Wire type & DIN Connector
- ▶▶ Flameproof Coil Available

### Technical Specification

Model	AJDS-05-202	AJDS-06-202	AJDS-07-202
Size	1/4" BSP		
Orifice	2.5 mm	2 mm	1.2 mm
Pressure	7 Kg/cm <sup>2</sup>	10 Kg/cm <sup>2</sup>	20 Kg/cm <sup>2</sup>
Temperature	Upto 55 °C		
Leakage	Bubble Tight		
Flow	180	140	60
Media	Air ( Filtered & Lubricated )		
Coil Voltage	24V, 48V, 110V, 230V AC		

### Technical Specification

Model	AJDS-08-202	AJDS-09-202	AJDS-10-202
Size	1/4" BSP		
Orifice	2.5 mm	2 mm	1.2 mm
Pressure	7 Kg/cm <sup>2</sup>	10 Kg/cm <sup>2</sup>	20 Kg/cm <sup>2</sup>
Temperature	Upto 55 °C		
Leakage	Bubble Tight		
Flow	180	140	60
Media	Air ( Filtered & Lubricated )		
Coil Voltage	24V, 48V, 110V, 230V DC		