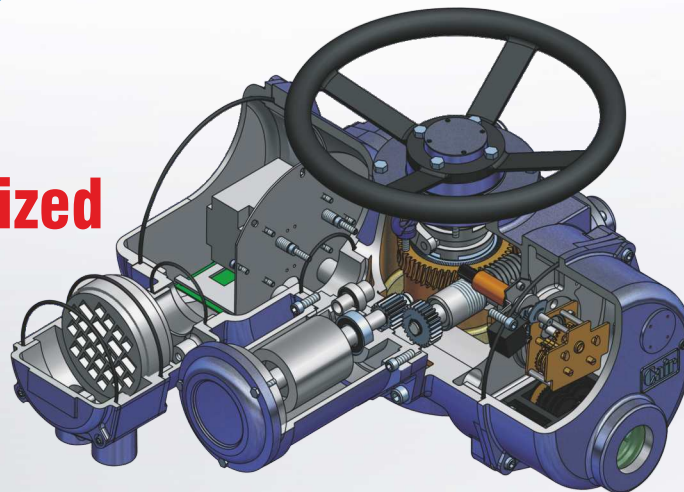


actuate with accuracy



# Electrical Actuators & Motorized Valves



### 2 Way Ball Valve S/E - F/E with Electrical Actuator



**Size** : 1/2" to 12"  
**MOC** : WCB / CF8 / CF8M / CF3M  
**Seals** : PTFE / CFT / GFT  
           TFM / PEEK  
**Pressure** : 150# / 300# / 600# / 900#  
**Temp.** : Upto 180 °C / 250 °C  
**Class** : 150# / 300# / 600# / 900#  
**Ends** : Screwed / Flanged  
           TC End / Socket Weld

### 2 Way Wafer / Jacketed Type Ball Valve with Electrical Actuator



**Size** : 1/2" to 6"  
**MOC** : WCB / CF8 / CF8M  
           CF3M  
**Seals** : PTFE / CFT / GFT  
           TFM / PEEK  
**Pressure** : 150#  
**Temp.** : Upto 180 °C / 250 °C  
**Class** : 150#  
**Ends** : Wafer Type

### 2 Way V - Knotch Type Ball Valve with Electrical Actuator



**Size** : 1/2" to 16"  
**MOC** : WCB / CF8 / CF8M  
           CF3M  
**Seals** : PTFE / CFT / GFT  
           TFM / PEEK  
**Pressure** : 150# / 300#  
**Temp.** : Upto 180 °C / 250 °C  
**Class** : 150# / 300#  
**Ends** : Flanged

### Trunnion Mounted Ball Valve with Electrical Actuator



**Size** : 6" to 24"  
**MOC** : WCB / CF8 / CF8M / CF3M  
**Seals** : PTFE / CFT / GFT / TFM  
           PEEK  
**Pressure** : 150# / 300# / 600# / 900#  
**Temp.** : Upto 180 °C / 250 °C  
**Class** : 150# / 300# / 600# / 900#  
**Ends** : Flanged

### Multi Port Design 3 Way / 4 Way / 5 Way Ball Valve with Electrical Actuator



**Size** : 1/2" to 12"  
**MOC** : WCB / CF8 / CF8M  
           CF3M  
**Seals** : PTFE / CFT / GFT  
           TFM / PEEK  
**Press.** : 10 Kg/cm<sup>2</sup>  
**Temp.** : Upto 180 °C / 250 °C  
**Class** : 150# / 300#  
**Ends** : Screwed / Flanged

### Extended Stem Ball Valve for Cryogenic Application with Electrical Actuator



**Size** : 1/2" to 8"  
**MOC** : WCB / CF8 / CF8M  
           CF3M  
**Seals** : PEEK / TFM / GFT / PTFE  
**Pressure** : 150# / 300# / 600# / 900#  
**Temp.** : -40 to 180 °C  
**Class** : 150# / 300# / 600# / 900#  
**Ends** : Screwed / Flanged  
           T C End / Socket Weld

### Flush Bottom Reduce Bore Ball Valve with Electrical Actuator



**Size** : 1" to 4"  
**MOC** : WCB / CF8 / CF8M / CF3M  
**Seals** : PTFE / CFT / GFT / TFM  
           PEEK  
**Pressure** : 150#  
**Temp.** : Upto 180 °C / 250 °C  
**Class** : 150#  
**Ends** : Flanged

### PTFE (FEP - PFA) Lined Ball Valve with Electrical Actuator



**Size** : 1/2" to 8"  
**MOC** : WCB / CF8 / CF8M / CF3M  
**Lining** : FEP / PFA - STD. Thickness  
**Seals** : PTFE / GFT / CFT  
**Pressure** : 150#  
**Temp.** : FEP 180 °C / PFA 230 °C  
**Class** : 150#  
**Ends** : Flanged

### UPVC / Polypropylene (PP) Ball Valve with Electrical Actuator



**Size** : UPVC : 1/2" to 4"  
           PP : 1/2" to 12"  
**MOC** : UPVC / PP  
**Seals** : NBR  
**Pressure** : 10 Kg/cm<sup>2</sup>  
**Temp.** : Upto 80 °C  
**Ends** : Socket /  
           Screwed / Flanged

### Rubber Lined Wafer Type Butterfly Valve with Electrical Actuator



**Size** : 1.1/2" to 72"  
**MOC** : CI / DI / WCB / CF8 / CF8M  
**Seals** : Nitrile / NBR / EPDM / Viton  
**Pressure** : PN 6, 10, 16, 20 & 25  
**Temp.** : -20 °C to 80 °C (Depending On MOC)  
**Ends** : Wafer Type

### Rubber Lined Wafer Type Double Flange Butterfly Valve with Electrical Actuator



**Size** : 3" to 72"  
**MOC** : CI / DI / WCB / CF8 / CF8M  
**Seals** : Nitrile / NBR / EPDM / Viton  
**Pressure** : PN 6, 10, 16, 20 & 25  
**Temp.** : -20 °C to 80 °C (Depending On MOC)  
**Ends** : Wafer Type Double Flange

### PTFE (FEP - PFA) Lined Butterfly Valve with Electrical Actuator



**Size** : 2" to 20"  
**MOC** : WCB / CF8 / CF8M / CF3M  
**Lining** : FEP / PFA - STD. Thickness  
**Seals** : FEP / PFA  
**Pressure** : 10 Kg/cm<sup>2</sup>  
**Temp.** : FEP 180 °C / PFA 230 °C  
**Ends** : Wafer Type / Double Flange Lug Type

### High Performance Butterfly Valve Spherical Disc Valve with Electrical Actuator



**Size** : 1.1/2" to 24"  
**MOC** : WCB / CF8 / CF8M / CF3M  
**Seals** : NBR / PTFE / RPTFE / EPDM / VITON  
**Pressure** : PN 6 / 10 / 16 / 20 & 25  
**Temp.** : Upto 180 °C / 250 °C  
**Ends** : Wafer Type / Double Flange Lug Type

### Double Off - Set Disc Butterfly Valve with Electrical Actuator



**Size** : 2.1/2" to 88"  
**MOC** : WCB / CF8 / CF8M  
**Seals** : CF3M  
**Pressure** : NBR / PTFE / RPTFE / EPDM / VITON  
**Temp.** : PN 10 / 16 / 20 & 25  
**Ends** : Upto 180 °C / 250 °C  
 : Wafer Type / Double Flange

### Extended Stem Butterfly Valve with Electrical Actuator



**Size** : 1.1/2" to 88"  
**MOC** : WCB / CF8 / CF8M / CF3M  
**Seals** : NBR / PTFE / RPTFE / EPDM / VITON  
**Pressure** : PN 10 / 16 / 20 & 25  
**Temp.** : Upto 180 °C / 250 °C  
**Ends** : Wafer Type / Double Flange

### Triple Offset Disc Butterfly Valve with Electrical Actuator



**Size** : 2" to 36"  
**MOC** : WCB / CF8 / CF8M / CF3M  
**Seals** : PTFE / GFT / CFT  
**Pressure** : PN 6 / 10 / 16 / 20 & 25  
**Temp.** : Upto 180 °C / 250 °C  
**Ends** : Wafer Type  
 Double Flange / Lug Type

### Aluminium Butterfly Valve with Electrical Actuator



**Size** : 1.1/2" to 12"  
**MOC** : Aluminium Alloy  
**Seals** : Nitrile / NBR / EPDM / Viton  
**Pressure** : PN 10 / 16  
**Temp.** : Upto 180 °C  
**Ends** : Wafer Type

### UPVC Body Butterfly Valve with Electrical Actuator



**Size** : 1.1/2" to 12"  
**MOC** : UPVC / PP  
**Seals** : NBR / EPDM  
**Pressure** : Upto 10 Kg/cm<sup>2</sup>  
**Temp.** : Upto 180 °C  
**Ends** : Wafer Type

### Fabricated Double Flange Damper Valve with Electrical Actuator



**Size** : 1.1/2" to 88"  
**MOC** : IS Grade MS / S.Steel  
**Seals** : Nitrile / NBR / EPDM / Viton  
**Pressure** : Upto 10000 MMWC / PN 6  
 PN 10  
 (Depending On Requirement)  
**Temp.** : -20 °C to 500 °C  
**Ends** : Double Flange

### Multi Louver Damper Valve with Electrical Actuator



**Size** : 3000MM X 3000MM  
**MOC** : IS Grade MS / S. Steel  
**Louvers** : Aluminium / MS  
 S. Steel  
**Pressure** : Upto 10000 MMWC  
 PN 6 / PN 10  
 (Depending On Requirement)  
**Temp.** : -20 °C to 500 °C  
**Ends** : Wafer Type

### Guillotine Damper Valve with Electrical Actuator



**Size** : 3000MM X 3000MM  
**MOC** : IS Grade MS / S. Steel  
**Pressure** : Upto 10000 MMWC  
 PN 6 / PN 10  
 (Depending On Requirement)  
**Temp.** : -20 °C to 500 °C  
**Ends** : Flanged / Wafer

### Foot Mounted Electrical Actuator with Linkage Arm for ID Fan Damper



**Torque** : 35NM to 32000NM  
**Supply** : 220V AC & 415V AC  
 (Other On Requirement)  
**Arm** : WCB / S. Steel  
**Foot Bracket** : WCB / S. Steel

### AWWA C504 Standard Larger Diameter Butterfly Valve with Electrical Actuator



**Size** : 1.1/2" to 104"  
**MOC** : IS Grade MS / WCB  
 CF8  
**Seals** : NBR / EPDM / Nitrile  
 Viton  
**Pressure** : PN 6, 10, 16, 20 & 25  
**Temp.** : -20 °C to 180 °C  
 (Depending on MOC)  
**Ends** : Double Flange  
 AWWA C 207

### High Pressure Globe Control Valve with Electrical Actuator



**Size** : 1/2" to 12"  
**MOC** : WCC / CF8M / Duplex  
**Seals** : Metal to Metal  
 PTFE  
**Pressure** : 150#, 300#, 600#  
 900#, 1500#, 2500#  
**Temp.** : 180 °C to 450 °C  
**Class** : 150#, 300#, 600#  
 900#, 1500#, 2500#  
**Ends** : Flanged / But Weld

### 2 Way & 3 Way Globe Control Valve with Electrical Actuator



**Size** : 1/2" to 12"  
**MOC** : WCB / CF8 / CF8M  
**Seals** : Metal to Metal / PTFE  
**Pressure** : 150# / 300# / 600#  
 900#  
**Temp.** : Upto 180 °C / 4500 °C  
**Class** : 150# / 300# / 600#  
 900#  
**Ends** : Flanged / Socket Weld

### Knife Gate Valve with Electrical Actuator



**Size** : 1/2" to 24"  
**MOC** : CI / WCB / CF8  
 CF8M  
**Press.** : 150#, 300#  
 (Above On Req.)  
**Ends** : Lugged / Flanged  
 Butt Weld

### Pinch Valve with Electrical Actuator



**Size** : 2" to 12"  
**MOC** : CI / WCB / CF8  
**Seals** : CF8M  
**Pressure** : NBR / EPDM  
**Temp.** : Upto 10 Kg/cm<sup>2</sup>  
**Ends** : Upto 80 °C  
 220 °C  
 : Flanged



### COM Series Electrical Actuator for Combustion application

**Torque** : 100 kg-cm to 1200 kg-cm  
**Supply** : 220, 110V AC / 24V DC  
**Travel** : 90° (Quarter Turn)  
**Application** : Oil Fired Burner / Furnace Control, Damper Actuation, Chiller Valves of ACR with Thermostat, AHU, Cooling Tower



### High Torque Electrical Actuator

**Torque** : 6000NM to 65000NM  
**Supply** : 220, 110V AC / 24V DC / 415V AC / 380V AC  
**Travel** : 90° (Quarter Turn)  
**Application** : Blower Actuation, Damper Actuation, Higher size Butterfly Valve



### Spare Worm Gear Box for Electrical Actuator

**Torque** : 300NM to 65000NM  
**MOC** : Ductile Iron / Gun Metal / Aluminium Bronze  
**Travel** : 90° (Quarter Turn)  
**Application** : Ball Valve, Butterfly Valve & Damper Actuation



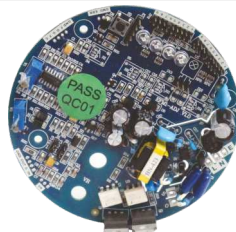
### Spare Bevel Gear Box for Electrical Actuator

**Torque** : 150NM to 3500NM  
**MOC** : Ductile Iron / Gun Metal / Aluminium Bronze  
**Travel** : Linear - Multi Turn  
**Application** : Gate Valve, Globe Valve, Guillotine Damper Valve



### Integral Starter Unit for 3 Phase Electrical Actuator

**Torque** : Starter Unit Suitable for MOD / ATQ / ATM Series Actuator  
**Supply** : 220V AC / 415V AC  
**Control** : 24V DC / 110V AC / 220V AC  
**Signal**  
**Local Switch** : Open / Stop / Close / Local & Remote  
**Lamps** : Open / Close / Power / Error



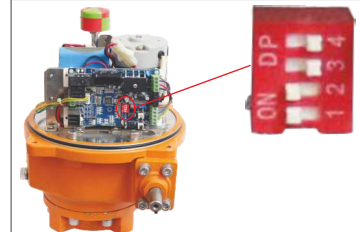
### Modulating PCB for Electrical Actuator

**Type** : PCB suitable for MOD / ATQ / ATM / VO series actuator  
**Input** : 4-20mA / 0-10V DC / 5-10V DC  
**Signal**  
**Output** : 4-20mA / 0-10V DC / 5-10V DC  
**Signal**



### Position Transmitter Kit (VOT) for Electric Actuator

**Type** : VOT kit suitable for MOD / ATQ / ATM / VO Series Actuator  
**Supply** : 220V AC / 24V DC (2 Wire)  
**Output Signal** : 4-20 mA / 0-10V DC / 5-10V DC



### Fail Safe Module / Battery Backup Unit (BBU)

**Type** : BBU Unit suitable for MOD / ATQ / ATM / VO Series Actuator  
**Supply** : 220V AC / 24V AC / 24V DC  
**Function** : Determine **Open / Closed / Stay put** position in case of power failure with the help of BBU.

- **Manufacturing Standard**  
IEC / EN 15714-2 & AWWA C 542 - 09
- **Enclosure Standard - IP 67 / 68**  
IS / IEC 60529 & IS / IEC 60079-1
- **Motor Standard**  
IS-325 / IEC 60034-1 / IS-996
- **Mounting Standard**  
ISO 5211

- Testing**
- Phase Sequence Test
  - Noise Test
  - Torque Test
  - Insulation Tests
  - High Voltage Test



## MOD SERIES

Single Phase Quarter Turn



### SUPPLY VOLTAGE

220 V AC ( $\pm 10\%$ ), 50 / 60 Hz  
110 V AC,  
24V DC, 12 V DC

### ENCLOSURE - IP 67/68

Weatherproof  
IS / IEC 60529  
Flameproof or Ex-Proof - IS  
IEC 60079  
Zone II, Gas Group IIB T4

### TORQUE RANGE

15 Nm to 5000 Nm

## ATQ SERIES

Three Phase Quarter Turn



### SUPPLY VOLTAGE

415 V AC ( $\pm 10\%$ ), 50 / 60 Hz  
380 V AC  
460V AC

### ENCLOSURE - IP 67/68

Weatherproof  
IS / IEC 60529  
Flameproof or Ex-Proof - IS  
IEC 60079  
Zone II, Gas Group IIB T4

### TORQUE RANGE

50 Nm to 12000 Nm

## ATM SERIES

Three Phase Multi-Turn



### SUPPLY VOLTAGE

415 V AC ( $\pm 10\%$ ), 50 / 60 Hz  
380 V AC / 460V AC  
220 V AC CTM Series

### ENCLOSURE - IP 67/68

Weatherproof  
IS / IEC 60529  
Flameproof or Ex-Proof - IS  
IEC 60079  
Zone II, Gas Group IIB T4

### TORQUE RANGE

50 Nm to 2400 Nm

## VO SERIES

Single Phase Linear



### SUPPLY VOLTAGE

220 V AC ( $\pm 10\%$ ), 50 / 60 Hz  
110 V AC, 24 V DC, 12V DC  
(Available On request)

### ENCLOSURE - IP 67

Weatherproof - IS / IEC 60529  
**TORQUE RANGE**  
150 Kgf to 3500 Kgf