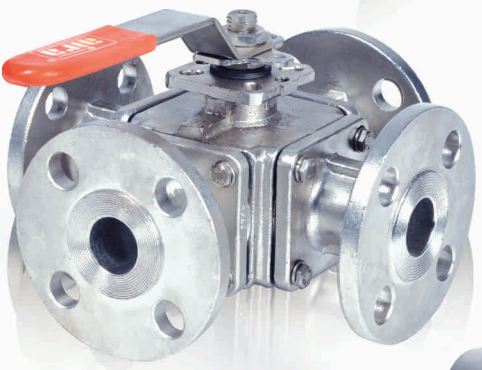




VALVE AUTOMATION  
ISO 9001 CO.



2 Way  
3 Way  
4 Way



Ball Valves  
Screwed / Flanged

SERIES : A

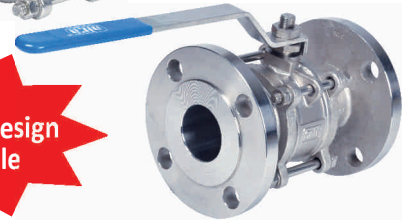


"aira" Hand Lever & Gear Operated Metal Seated Ball Valve designed for using in the server conditions such as high temperature and high friction fluid like abrasive fluids of Oil and Gas, Petroleum, Petrochemical, Chemical Power Generation, Pulp and Paper Mining Industry.

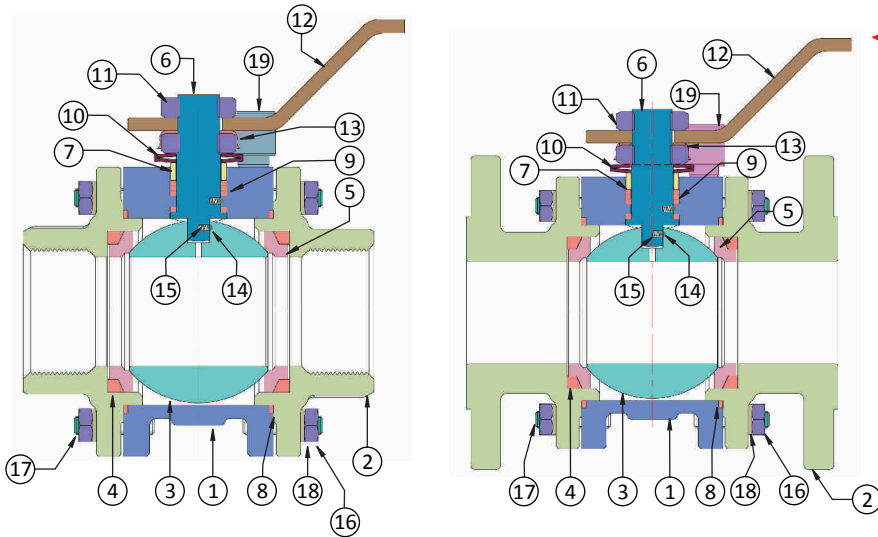
Size Range : 1/2" to 4" Screwed / Flanged

Standard

Design And Manufacturing : BS EN ISO 17292  
Valve Face To Face Dimension : ASME B 16.10  
Flange Standard Conformity : ASME B 16.5 Class 150,  
Inspection & Testing : API 598 / FCI - 702 / BS EN 12266 - 1



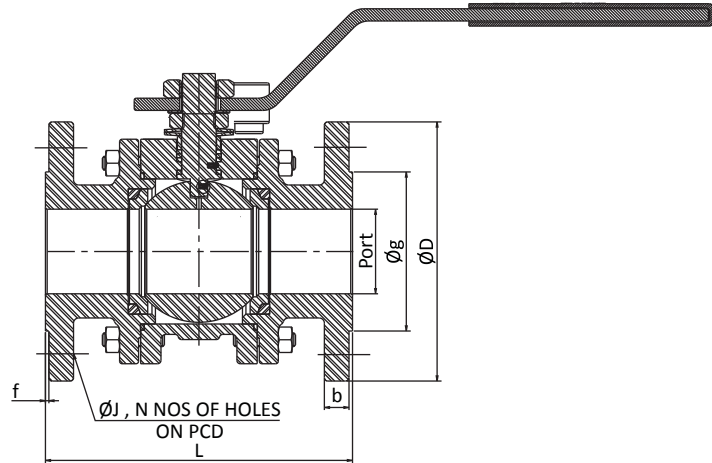
Fire Safe Design Available



Features :

- Metal Seated Ball Valves are inherently fire safe and it's design is
- Metal anti-static by nature of the metal to metal contact
- Harden face treatment on ball and seats provides the longer life cycle in Cryogenic environment
- Advanced seat structure and high precision ball preparation can Ensure Sealing performance and reduce the operation torque
- Highly precise machining enables the ball and seat tight shut-off
- Suitable for temperature range -50°C to 500 °C

No.	Description	Material	Qty.
01	Body	WCB / CF8 / CF8M	01
02	End Connector	WCB / CF8 / CF8M	02
03	Ball	CF8 / CF8M	01
04	Ball Back	CFT	02
05	Ball Seat	AISI 304 / 316	02
06	Stem Pin	AISI 304 / 316	01
07	Spacer Ring	AISI 304 / 316	01
08	Body Seat	CFT02	02
09	Stem Seat	CFT04	04
10	Disc Spring	Spring Steel	02
11	Stem Nut	S. S. 304	02
12	Handle	M.S. / S.S.	01
13	Lock Washer	S. S. 304	01
14	Antistatic Ball	S. S. 304	02
15	Antistatic Spring	S. S. 304	02
16	Fitting Nut	H.T. / S. S. 304	08
17	Fitting Stud	H.T. / S. S. 304	04
18	Spring Washer	H.T. / S. S. 304	08
19	Stopper Pin	M.S. / S. S. 304	01



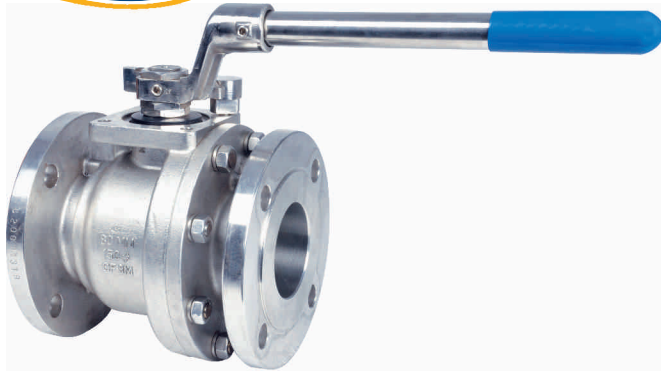
Dimensions :

(All Dimensions are in mm)

Valve Model	Valve Size		Screwed		Flanged 150#								Weight (Approx)	
	MM	Inch	L	Weight Approx.	L1	b	f	Port	Øg	ØD	ØJ	N		K:PCD
BMS - 15	15	1/2"	71	1.550	108	8	2	13	34.9	90	15.9	4	60.3	1.600
BMS - 20	20	3/4"	94	1.880	117	8.9	2	19	42.9	100	15.9	4	69.9	2.400
BMS - 25	25	1"	108.5	2.720	127	9.6	2	25	50.8	110	15.9	4	79.4	3.500
BMS - 32	32	1.1/4"	116	3.950	140	11.2	2	32	63.5	115	15.9	4	88.9	5.000
BMS - 40	40	1.1/2"	128	5.200	165	12.7	2	38	73	125	15.9	4	98.4	7.000
BMS - 50	50	2"	158	9.100	178	14.3	2	49	92.1	150	19.05	4	120.7	11.200
BMS - 65	65	2.1/2"	185	13.100	190	15.9	2	62	104.8	180	19.05	4	139.7	17.500
BMS - 80	80	3"	205	15.100	203	17.5	2	74	127	190	19.05	4	152.4	20.00
BMS - 100	100	4"	216	25.000	229	22.3	2	100	157.2	230	19.05	8	190.5	33.00

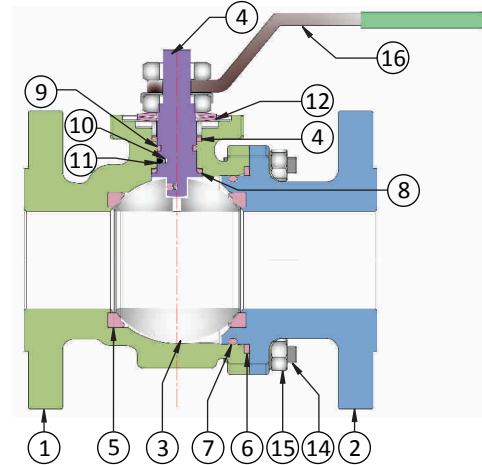
Note : 300 & 600 Class Dimension are on request.

"aira" offers Hand Lever & Gear Operated "FIRE SAFE" Two Piece Design Ball Valve, engineered for multiple ON/OFF operations in the highly inflammable fluids.



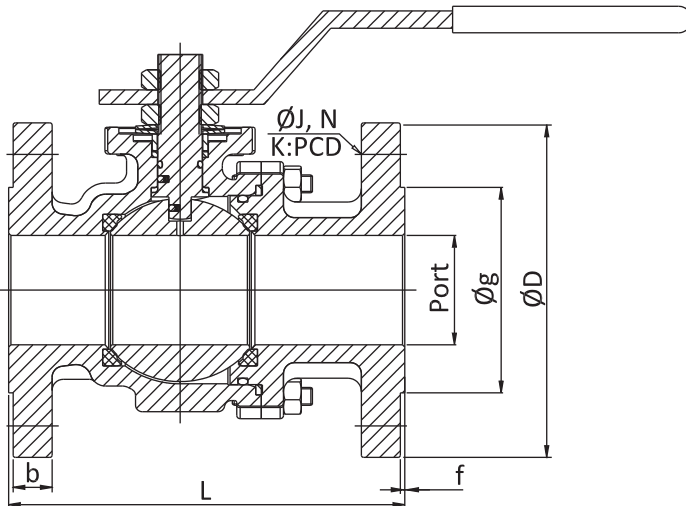
### Size Range : 1/2" to 14" Flanged 150# & 300#

Item	Type of Test	Testing Pressure	Working Pressure	Operating Temperature (High Temp. On Request)
Valve Body Flanged 150#	Hydraulic	450 PSIG	315 PSIG	Max.180 °C
Valve Body Flanged 300#	Hydraulic	1125 PSIG	815 PSIG	Max.180 °C



### Standard

- Design And Manufacturing : BS 5351 / BS EN ISO 17292
- Valve Face To Face Dimension : ASME B 16.10
- Flange Standard Conformity : ASME B 16.5 Class 150, 300
- Inspection & Testing : API 598 / FCI - 70-2 / BS EN 12266 - 1
- Fire Safe Test : API 6 FA / FCI - 70-2



No.	Description	Material	Qty.
1	Body	WCB / CF8 / CF8M	1
2	Flange End Connector	WCB / CF8 / CF8M	1
3	Ball	CF8 / CF8M	1
4	Stem Pin	AISI 304 / 316	1
5	Ball Seat	PTFE / CFT / GFT / PEEK	2
6	Body Seat	Grafoil	1
7	Conn. - O-Ring	NBR / EPDM / Viton	1
8	Stem Seat Bottom	PTFE	1
9	Stem O-Ring	NBR / EPDM / Viton	1
10	Antistatic Spring	S.S. 202	2
11	Antistatic Ball	S. S. 304	2
12	Disc Spring	Spring Steel	2
13	Stem & Handle Nut	S. S. 304	2
14	Fitting Stud	H.T. / S. S. 304	6
15	Fitting Nut + Spring Washer	H.T. / S. S. 304	6
16	Handle	M.S. / S.S.	1

### Dimensions :

(All Dimensions are in mm)

Valve Model	Valve Size		Flanged 150#									Weight (Approx)	Flanged 300#									Weight (Approx)
	MM	Inch	L	b	f	Port	Øg	ØD	ØJ	N	K:PCD		L	b	f	Port	Øg	ØD	ØJ	N	K:PCD	
VGO - 15	15	1/2"	108	8	2	13	34.9	90	15.9	4	60.3	2.150	140	12.7	2	13	34.9	95	15.9	4	66.7	3.100
VGO - 20	20	3/4"	117	8.9	2	19	42.9	100	15.9	4	69.9	3.000	152	14.3	2	19	42.9	115	19.05	4	82.6	3.900
VGO - 25	25	1"	127	9.6	2	25	50.8	110	15.9	4	79.4	4.100	165	15.9	2	25	50.8	125	19.05	4	88.9	5.400
VGO - 32	32	1.1/4"	140	11.2	2	32	63.5	115	15.9	4	88.9	---	178	17.5	2	32	63.5	135	19.05	4	98.4	7.200
VGO - 40	40	1.1/2"	165	12.7	2	38	73	125	15.9	4	98.4	7.000	190	19.1	2	38	73	155	22.2	4	114.3	9.720
VGO - 50	50	2"	178	14.3	2	49	92.1	150	19.05	4	120.7	9.200	216	20.7	2	49	92.1	165	19.05	8	127	11.680
VGO - 65	65	2.1/2"	190	15.9	2	62	104.8	180	19.05	4	139.7	13.800	241	23.9	2	62	104.8	190	22.2	8	149.2	20.500
VGO - 80	80	3"	203	17.5	2	74	127	190	19.05	4	152.4	20.300	282	27	2	74	127	210	22.2	8	168.3	29.240
VGO - 100	100	4"	229	22.3	2	100	157.2	230	19.05	8	190.5	29.200	305	30.2	2	100	157.2	255	22.2	8	200	48.380
VGO - 125	125	5"	254	22.3	2	125	185.7	255	22.2	8	215.9	---	381	33.4	2	125	185.7	280	22.2	8	235	---
VGO - 150	150	6"	267	23.9	2	150	215.9	280	22.2	8	241.3	64.000	403	35	2	150	215.9	320	22.2	12	269.9	90.260
VGO - 200	200	8"	457	27	2	201	269.9	345	22.2	8	298.5	151.00	500	39.7	2	201	269.9	380	25.4	12	330.2	188.00
VGO - 250	250	10"	534	28.6	2	252	323.8	405	25.4	12	362	---	568	46.1	2	252	323.8	445	28.6	16	387.4	---
VGO - 300	300	12"	610	30.2	2	303	381	485	25.4	12	431.8	---	648	49.3	2	303	381	520	31.75	16	450.8	---
VGO - 350	350	14"	--	33.4	2	334	412.8	535	28.6	12	476.3	---	--	52.4	2	334	412.8	585	31.75	20	514.4	---

Note : Size 1/2" to 4" weight are Handle Operated & Size 6" & 8" Weight are Gear Operated .

"Cair" offers WOG Manual Hand Lever Operated Low Torque High Pressure Ball Valve. Locking arrangement & Actuator Mounting Pad.

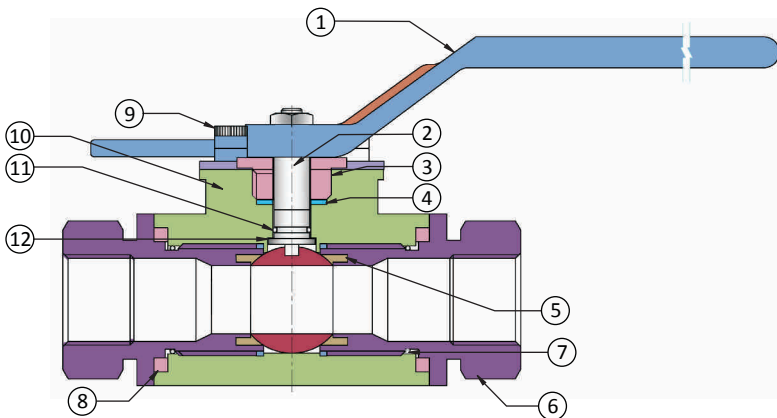
Size Range : 1/2" to 2" Screwed

Features :

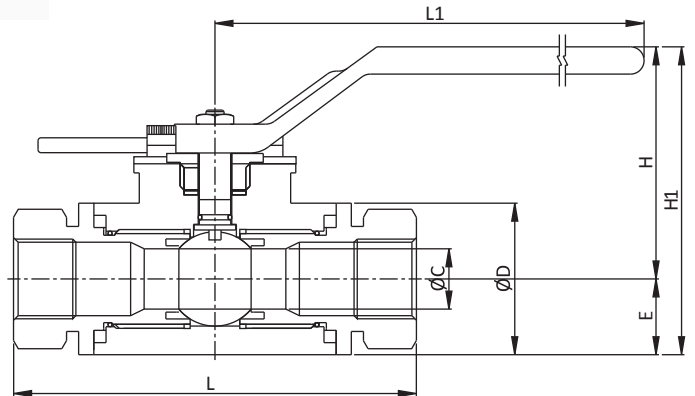
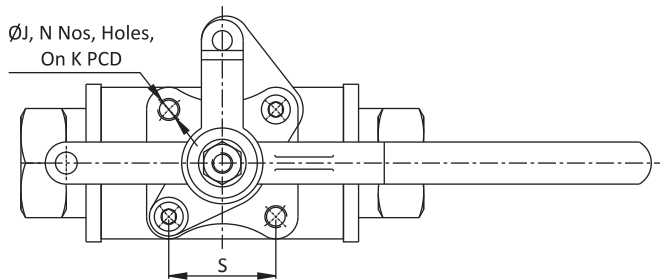
- Low Torque
- High Pressure with High Temperature Seals
- Locking Arrange for Security Purpose
- In buld Mtaining Pad for Pneumatic Actuator



Item	Type of Test	Testing Pressure	Working Pressure	Temperature
Valve Body Screwed End	Hydraulic	300 Kg	200 Kg	150 °C



No.	Description	Material	Qty.
1	Handle	WCB / CF8 / CF8M	01
2	Stem Pin	S. S. 304 / S. S. 316	01
3	Spacer Ring	S. S. 304 / S. S. 316	01
4	Stem Seat	S. S. 304 / S. S. 316	01
5	Ball Seat	Peek / Polyacetal	02
6	End Connector	WCB / CF8 / CF8M	02
7	'O' Ring	NBR / EPDM / Viton	02
8	Body Seat	Graphite	01
9	Fitting Stud	H.T. / CF8	01
10	Body	WCB / CF8 / CF8M	01
11	'O' Ring	NBR / EPDM / Viton	01
12	Gland Packing	Peek / Polyacetal	01



Dimensions :

(All Dimensions are in mm)

Valve Model	Size		L1	L	H	ØC	ØD	□S	ØJ	N	PCD	Weight (Approx.)
	MM	Inch										
WOG - 15	15	1/2"	160	98	75	12.7	39	25.4	M5X0.8	4	36	1.330
WOG - 20	20	3/4"	205	108	90	17.5	48	31	M6X1	4	42	1.440
WOG - 25	25	1"	205	108	96	22.3	55.5	31	M6X1	4	42	2.100
WOG - 32	32	1.1/4"	255	133	124	31.8	76.5	35.3	M6X1	4	51.5	4.850
WOG - 40	40	1.1/2"	255	133	124	31.8	76.5	35.3	M6X1	4	51.5	4.280
WOG - 50	50	2"	255	159	125	38.1	89.5	35.36	M6X1	4	51.5	7.420

"Cair" 2 Way Ball Valves are design to suit a wide range of applications including mobile plant and industries equipment. Standard valves are intended for use on Hydraulic Mineral Oil. Stainless Steel Valves are available for use in corrosive environments and / or operation with corrosive fluids.



### Size Range : 1/4" to 1"

#### Features :

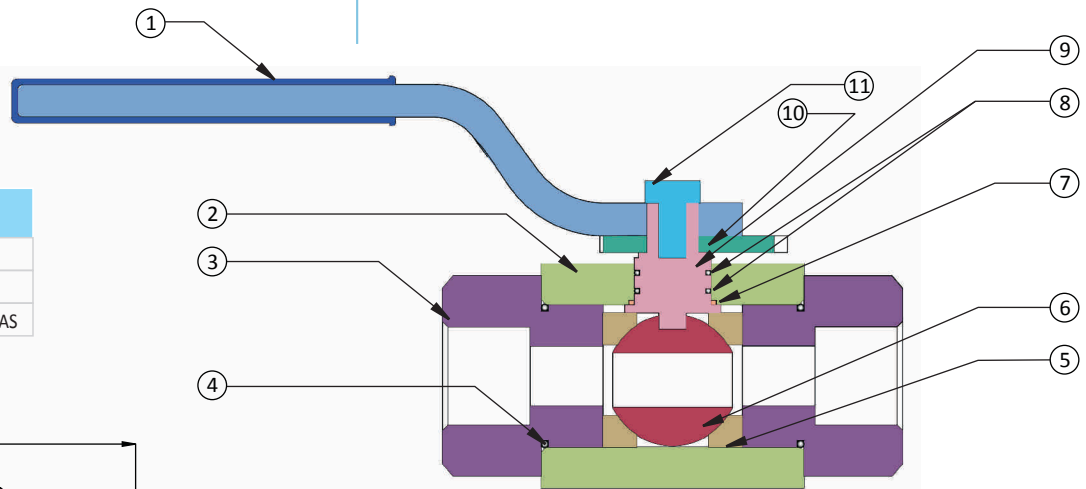
- Full bore valves provide an unrestricted flow path for negligible pressure drop.
- Floating ball on pre-compressed seals minimises wear and provides an excellent seal at positive and negative pressure.
- Operating temperature from -20 °C to 150 °C
- Open to close in 1/4 turn (90°)

#### Stainless Steel Valves

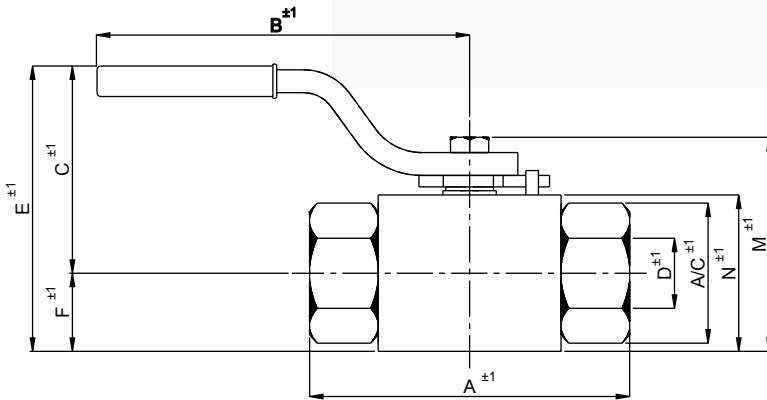
Body and Ball in 316 Stainless Steel for use in the Food, Chemical and Pharmaceutical Industries. A variety of special seals can be provided to comply with the stringent specifications required by these applications.

#### TECHNICAL SPECIFICATION

PRESSURE	AS PER TABLE**
TEMPERATURE	-20°C to 150 °C
MEDIA	AIR, WATER, OIL & GAS



No.	Description	Material	Qty.
1	Handle	Steel Powder Coated	01
2	Body	Forged Carbon / S.S. 304 / S.S. 316	01
3	End Connection	Forged Carbon / S.S. 304 / S.S. 316	02
4	'O' Ring	NBR / EPDM / Viton / Peek	02
5	Ball Sheet	Peek / Peak / Polyacetal	02
6	Ball	S.S. 304 / S.S. 316	01
7	Gland Packing	Peek / Peak / Polyacetal	01
8	'O' Ring	NBR / EPDM / Viton	02
9	Stem	S.S. 304 / S.S. 316	01
10	Stopper	Steel Powder Coated	01
11	Bolt	S. Steel	01



#### Dimensions :

(All Dimensions are in mm)

Valve Model	Valve Size		**Max. W.P. Kg/cm2	A	B	C	D Bore	E	F	A/C	N	M	Weight Approx
	MM	Inch											
AWA-6	6	1/4"	700	65	125	55	6	70	15	31.8	39	56.5	0.540
AWA-10	10	3/8"	500	84	145	60	10	70	20	36	46	65.5	1.070
AWA-15	15	1/2"	500	84	145	65	15	80	20	36	46	63	1.030
AWA-20	20	3/4"	500	95	195	85	20	110	25	51.5	61.5	87	2.040
AWA-25	25	1"	325	107	195	85	25	110	25	57.5	67	91	2.580

"Cair" 3 Way ball valves are designed to suit a wide range of applications including mobile plant and industrial equipment. Standard valves are intended for use on hydraulic mineral oil. Stainless steel valves are available for use in corrosive environments and/or operation with corrosive fluids.

## Size Range : 1/2" to 1.1/2"

### Features :

- Full bore valves provide an unrestricted flow path for negligible pressure drop.
- Floating ball on pre-compressed seals minimises wear and provides an excellent seal at positive and negative pressure.
- Operating temperature from -20 °C to 150 °C
- Open to close in 1/4 turn (90°)

### Stainless Steel Valves

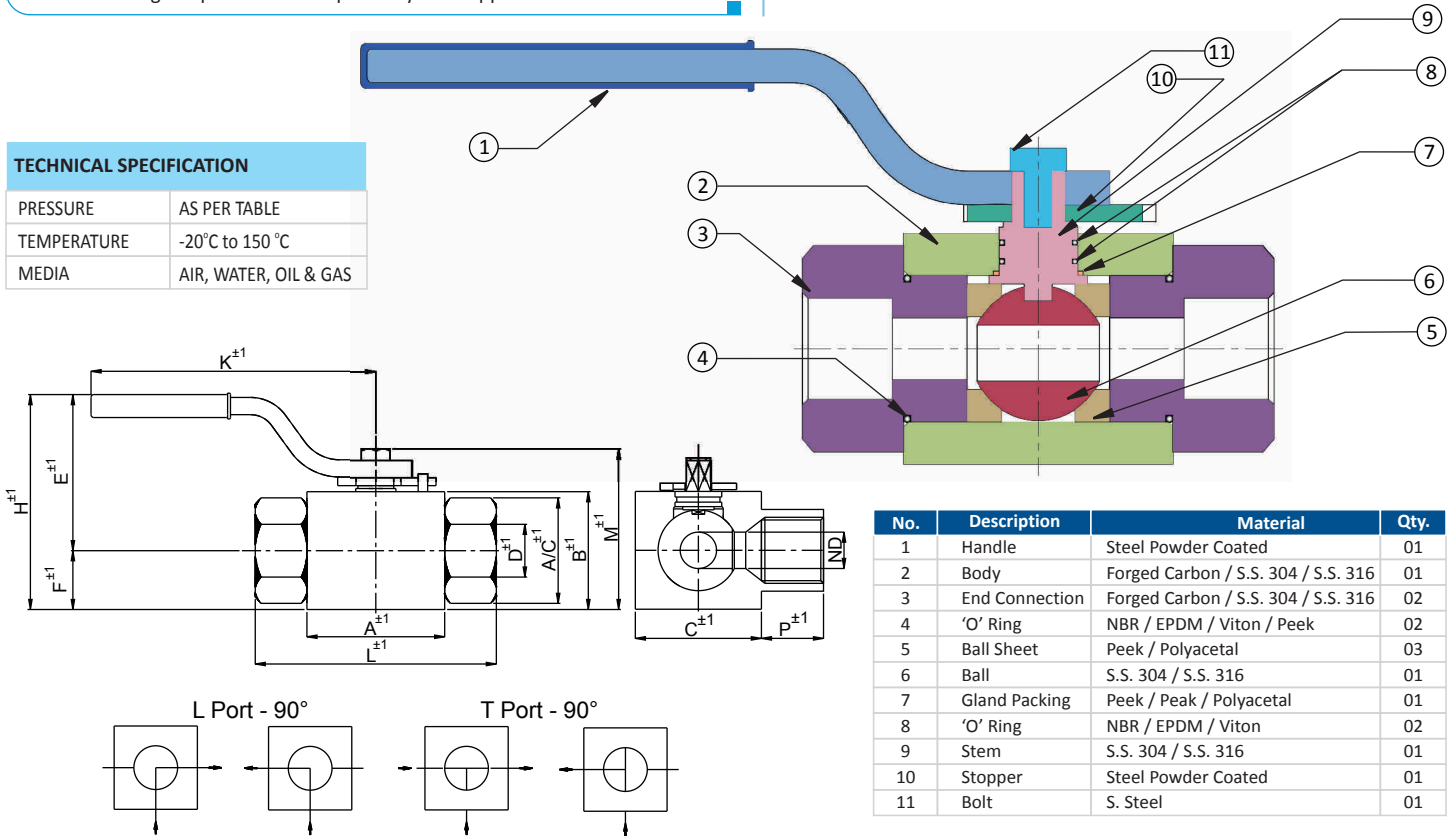
Body and Ball in 316 Stainless Steel for use in the Food, Chemical and Pharmaceutical Industries. A variety of special seals can be provided to comply with the stringent specifications required by these applications.



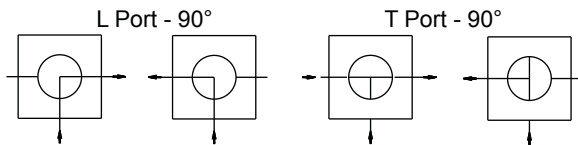
**Cair**  
INDUSTRIAL VALVES

### TECHNICAL SPECIFICATION

PRESSURE	AS PER TABLE
TEMPERATURE	-20°C to 150°C
MEDIA	AIR, WATER, OIL & GAS



No.	Description	Material	Qty.
1	Handle	Steel Powder Coated	01
2	Body	Forged Carbon / S.S. 304 / S.S. 316	01
3	End Connection	Forged Carbon / S.S. 304 / S.S. 316	02
4	'O' Ring	NBR / EPDM / Viton / Peek	02
5	Ball Sheet	Peek / Polyacetal	03
6	Ball	S.S. 304 / S.S. 316	01
7	Gland Packing	Peek / Peek / Polyacetal	01
8	'O' Ring	NBR / EPDM / Viton	02
9	Stem	S.S. 304 / S.S. 316	01
10	Stopper	Steel Powder Coated	01
11	Bolt	S. Steel	01



### Dimensions :

(All Dimensions are in mm)

Valve Model	Valve Size		ND	A	B	C	A/C	H	K	L	M	P	E	F	D	Weight Approx
	MM	Inch														
3AWA - 15	15	1/2"	13	48.2	45.5	40.5	36.5	83	148	83.5	65	19	60	23	11.5	1.060
3AWA - 20	20	3/4"	20	61	61.5	51	52.5	98	195	96	65	24.5	71	27	19.3	2.210
3AWA - 25	25	1"	25	71.5	68.5	60	58	113	195	107.5	96	23.5	83	30	24.6	2.900
3AWA - 32	32	1.1/4"	25	91.5	90	80	80	146	230	130.5	123	32.5	106	40	36	6.150
3AWA - 40	40	1.1/2"	25	91.5	90	80	80	146	230	130.5	123	32.5	106	40	36	5.800

"aira" offers Hand Lever Operated Investment Casting WCB / CF8 / CF8M Wafer Ball Valve In Two Piece Design.

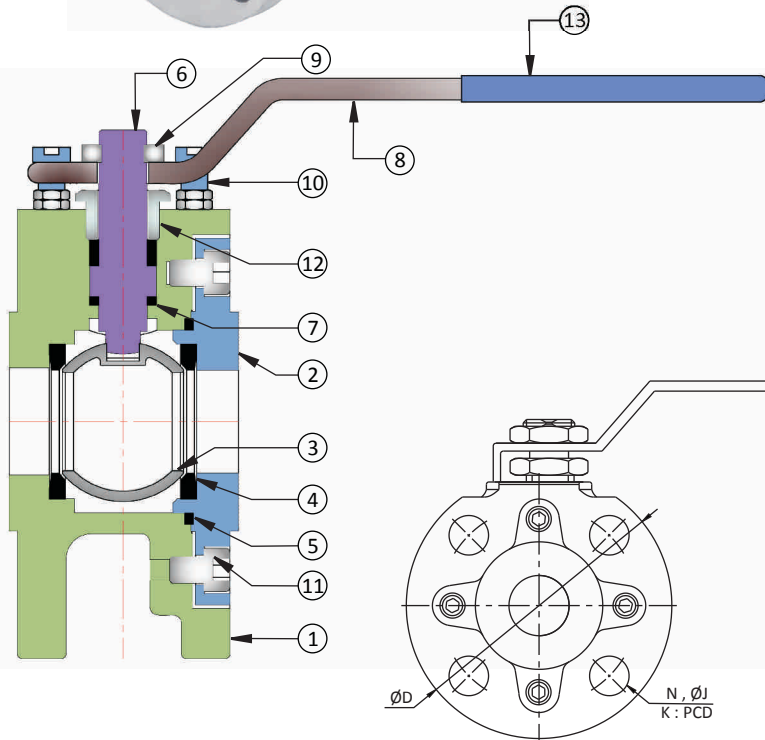


### Size Range : 1" to 4" Wafer Type

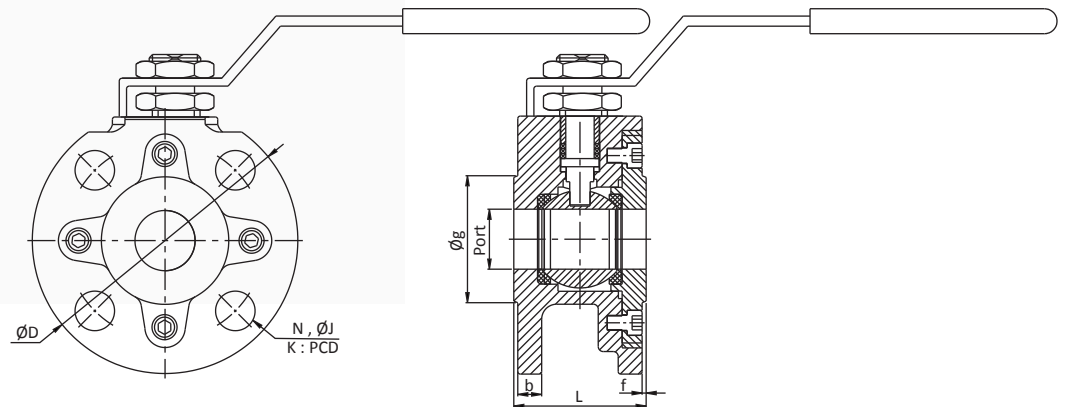
Item	Type of Test	Testing Pressure	Working Pressure	Operating Temperature (High Temp. On Request)
Valve Body Flanged 150#	Hydraulic	450 PSIG	315 PSIG	Max.180 °C

### Standard

Design And Manufacturing	: ASME B 16.34 / API 6D
Valve Face To Face Dimension	: As Per Manufacturer
Flange Standard Conformity	: ASME B 16.5 Class 150
Inspection & Testing	: API 598 / FCI - 70-2 / BS EN 12266 - 1



No.	Description	Material	Qty.
1	Body	WCB / CF8 / CF8M	1
2	Connector	WCB / CF8 / CF8M	1
3	Ball	CF8 / CF8M	1
4	Ball seat	PTFE / GFT / CFT / PEEK	2
5	Body Seat	PTFE / GFT / CFT / PEEK	1
6	Stempin	AISI 304 / 316	1
7	Stem Seat	PTFE	4
8	Handle	M.S. / S.S.	1
9	Handle Nut	ASTM A 193	1
10	Handle Stopper	S.S.	2
11	Allen Bolt	ASTM A 193	4
12	Lock Nut	CF8	1
13	Handle Sleeve	PVC Grip	1



### Dimensions :

(All Dimensions are in mm)

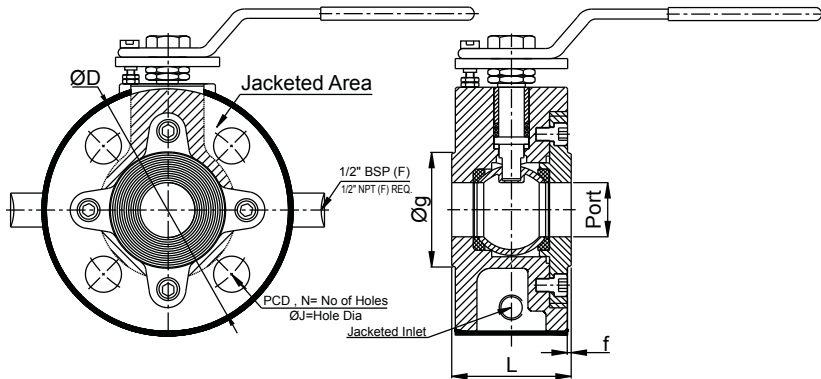
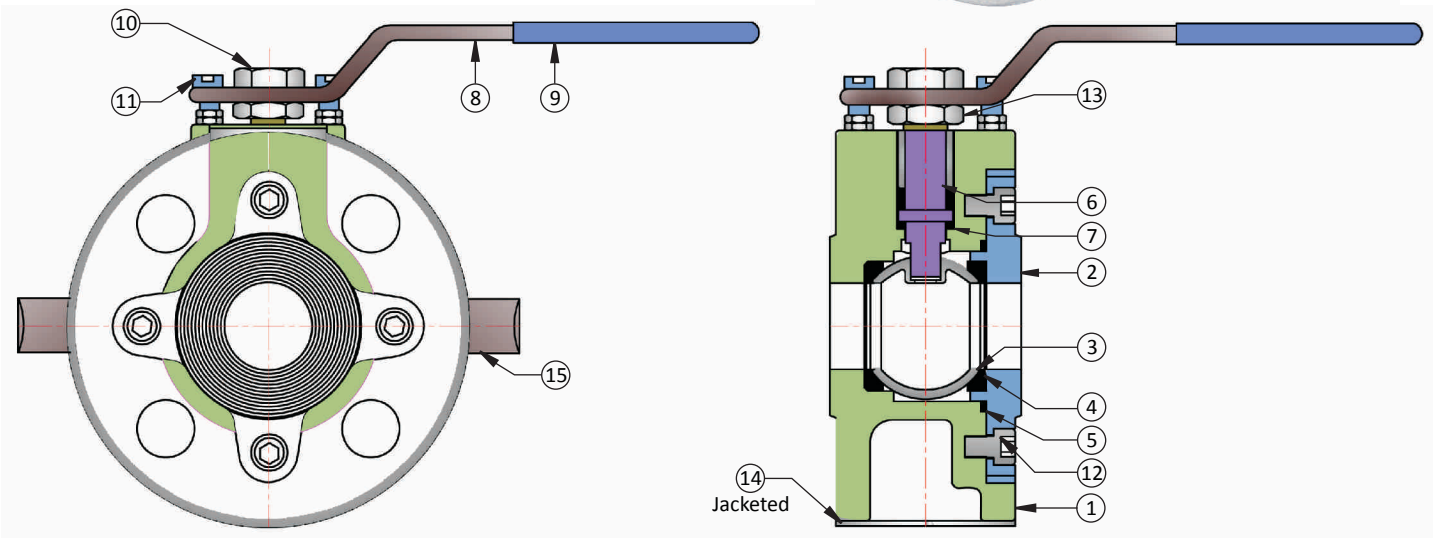
Valve Model	Valve Size		L	b	f	Port	Øg	ØD	ØJ	N	PCD	Weight
	MM	Inch										
WTB - 25	25	1"	54	9.6	2	25	50.8	107.9	15.88	4	79.4	1.940
WTB - 32	32	1.1/4"	58.5	11.2	2	32	63.50	115	15.88	4	88.9	2.900
WTB - 40	40	1.1/2"	63	12.7	2	38	73	127	15.88	4	98.4	3.080
WTB - 50	50	2"	73	14.3	2	49	91.95	152.4	19.05	4	120.7	4.900
WTB - 65	65	2.1/2"	96	15.9	2	62	104.65	177.8	19.05	4	139.7	8.560
WTB - 80	80	3"	118	17.5	2	74	127	190.5	19.05	4	152.4	11.140
WTB - 100	100	4"	140	22.3	2	100	157.2	230	19.05	8	190.5	18.240

"aira" offers Hand Lever Operated Investment Casting WCB / CF8 / CF8M / Ball Valve in 2 Piece Design Wafer Type JACKETED- engineered for multiple ON / OFF operations in the down steam

Size Range : 1" to 4"

Standard

Design And Manufacturing : ASME B 16.34 / API 6D  
 Valve Face To Face Dimension : As Per Manufacturer  
 Flange Standard Conformity : ASME B 16.5 Class 150, 300  
 Inspection & Testing : API 6D / FCI - 70-2 / BS EN 12266 - 2



No.	Description	Material	Qty.
1	Body	WCB / CF8 / CF8M	1
2	Connector	WCB / CF8 / CF8M	1
3	Ball	CF8 / CF8M	1
4	Ball seat	PTFE / GFT / CFT / PEEK	2
5	Body Seat	PTFE / GFT / CFT / PEEK	1
6	Stem Pin	AISI 304 / 316	1
7	Stem Seat	PTFE	4
8	Handle	M.S. / S.S.	1
9	Handle Sleeve	PVC Grip	1
10	Handle Nut	S.S.	1
11	Handle Stopper	S.S.	2
12	Allen Bolt	S.S.	4
13	Lock Nut	S.S.	1
14	Jacket	S.S. / M.S.	1
15	Coupling	S.S. / M.S.	2

Dimensions :

(All Dimensions are in mm)

Valve Model	Valve Size		Port	L	ØD	Øg	ØJ	N	f	PCD	Weight (Approx.)
	MM	Inch									
KAG - 25	25	1"	25	54	107.9	50.8	15.88	4	2	79.4	2.500
KAG - 32	32	1.1/4"	32	58.5	115	63.50	15.88	4	2	88.9	3.300
KAG - 40	40	1.1/2"	38	63	127	73	15.88	4	2	98.4	3.960
KAG - 50	50	2"	49	73	152.4	92.1	19.05	4	2	120.7	5.940
KAG - 65	65	2.1/2"	62	96	177.8	104.8	19.05	4	2	139.7	10.800
KAG - 80	80	3"	74	118	190.5	127	19.05	4	2	152.4	13.620
KAG - 100	100	4"	100	140	230	157.2	19.05	8	2	190.5	22.900



"aira" offers Hand Lever & Gear Operated "Three Way - Four Way" Design Investment Casting CF8 / CF8M / WCB Ball Valve, engineered for multiple Diverting / Mixing Operations in the down stream. TYPE : "T" . PORT / "L" . PORT / "X" . PORT In Full Bore / Reduce Bore

High Pressure upto 500 Kg available on request



**Size Range : 1/2" to 6" Screwed / Flanged / Triclover / Socket Weld**

### Standard

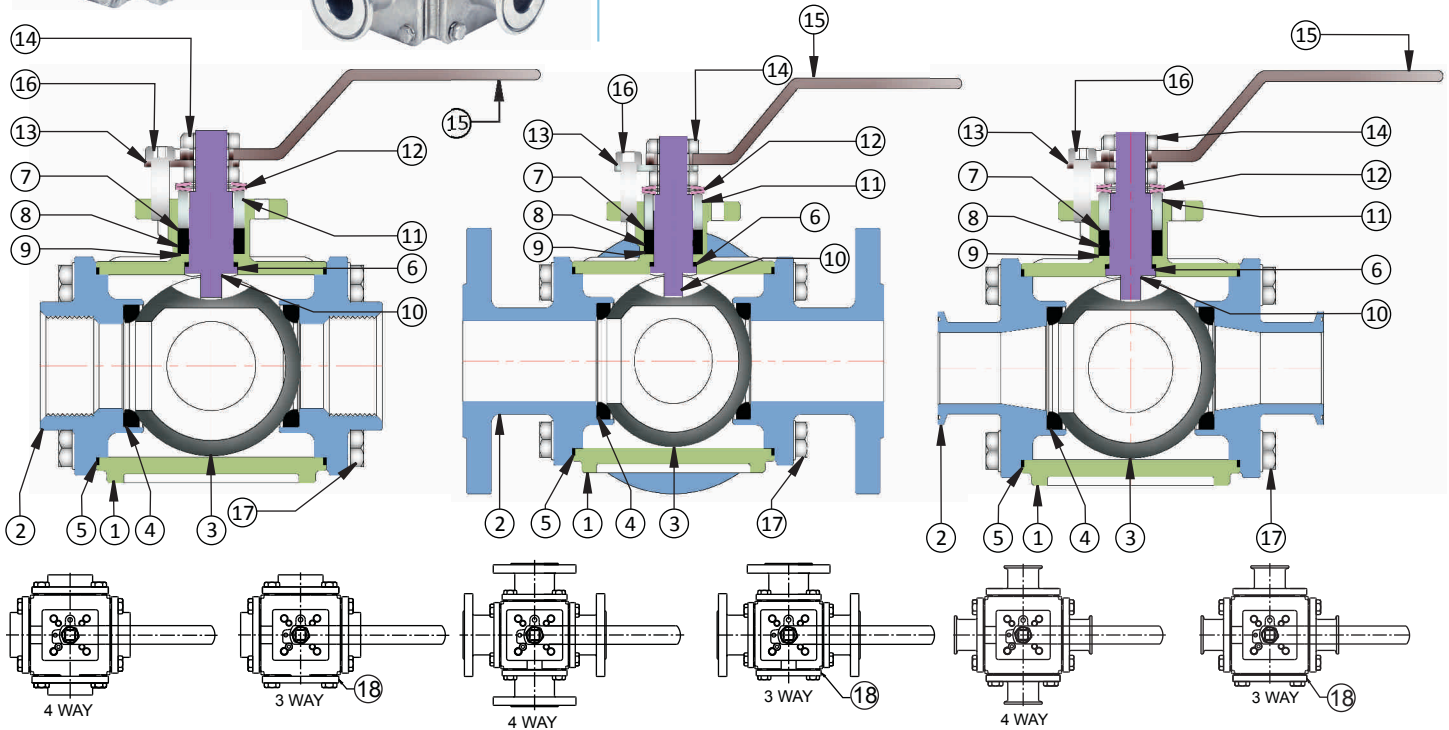
Design And Manufacturing : ASME B 16.34 / API 6D  
Valve Face To Face Dimension : As Per Manufacturer  
Flange Standard Conformity : ASME B 16.5 Class 150, 300  
Inspection & Testing : API 598 / FCI - 702 / BS EN 12266 - 1

### Features :

- Body & End are investment Cast
- Self adjusting stem packing
- Available in 3 way & 4 way & 5 way L - port/T port/X port
- 4 piece ball seats
- Blow - out proof stem design anti blow - out proof stem design

### TECHNICAL SPECIFICATION

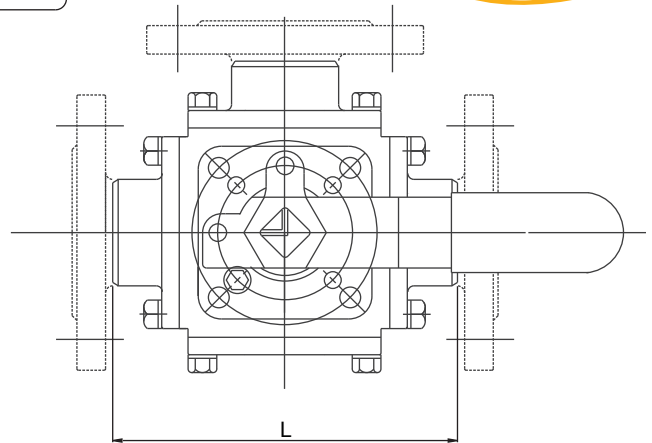
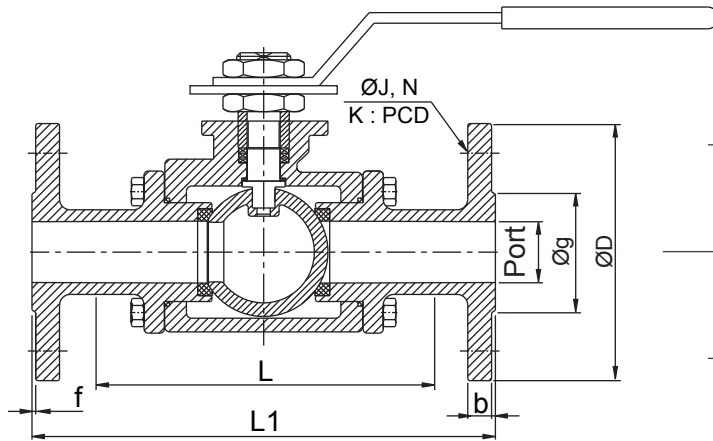
PRESSURE	ASME 150 / ASME 300 PN 16, PN 25, PN 40
TEMPERATURE	-25°C TO 180 °C



No.	Description	Material	3 way Qty.	4 way Qty.
1	Body	WCB / CF8 / CF8M	01	01
2	Screw End Connection	WCB / CF8 / CF8M	03	04
3	Ball	CF8 / CF8M	01	01
4	Ball Seat	PTFE / GFT	04	04
5	Body Seat	PTFE / GFT	04	04
6	Stem Packing	PTFE	01	01
7	U - Seat	PTFE	01	01
8	V - Seat	PTFE	02	02
9	Base Seat	PTFE	01	01
10	Stem Pin	S.S. 304	01	01
11	Gland Spacer Washer	S.S. 304	01	01
12	Disc Washer	S.S. 304	01	01
13	Platter	S.S. 304	01	01
14	Handle Nut	S.S. 304	02	02
15	Handle	S.S. 304	01	01
16	Handle Stopper	S.S. 304	01	01
17	Body Fitting	S.S. 304	16	16
18	Blind End Connection	CF8 / CF8M	01	----

No.	Description	Material	3 way Qty.	4 way Qty.
1	Body	WCB / CF8 / CF8M	01	01
2	Flange End Connection	WCB / CF8 / CF8M	03	04
3	Ball	CF8 / CF8M	01	01
4	Ball Seat	PTFE / GFT	04	04
5	Body Seat	PTFE / GFT	04	04
6	Stem Packing	PTFE	01	01
7	U - Seat	PTFE	01	01
8	V - Seat	PTFE	02	02
9	Base Seat	PTFE	01	01
10	Stem Pin	S.S. 304	01	01
11	Gland Spacer Washer	S.S. 304	01	01
12	Disc Washer	S.S. 304	01	01
13	Platter	S.S. 304	01	01
14	Handle Nut	S.S. 304	02	02
15	Handle	S.S. 304	01	01
16	Handle Stopper	S.S. 304	01	01
17	Body Fitting	S.S. 304	16	16
18	Blind End Connection	CF8 / CF8M	01	----

No.	Description	Material	3 way Qty.	4 way Qty.
1	Body	WCB / CF8 / CF8M	01	01
2	TC End Connection	WCB / CF8 / CF8M	03	04
3	Ball	CF8 / CF8M	01	01
4	Ball Seat	PTFE / GFT	04	04
5	Body Seat	PTFE / GFT	04	04
6	Stem Packing	PTFE	01	01
7	U - Seat	PTFE	01	01
8	V - Seat	PTFE	02	02
9	Base Seat	PTFE	01	01
10	Stem Pin	S.S. 304	01	01
11	Gland Spacer Washer	S.S. 304	01	01
12	Disc Washer	S.S. 304	01	01
13	Platter	S.S. 304	01	01
14	Handle Nut	S.S. 304	02	02
15	Handle	S.S. 304	01	01
16	Handle Stopper	S.S. 304	01	01
17	Body Fitting	S.S. 304	16	16
18	Blind End Connection	CF8 / CF8M	01	----

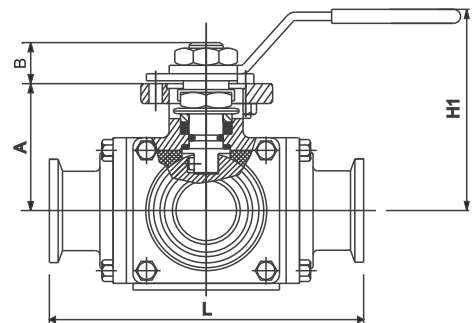
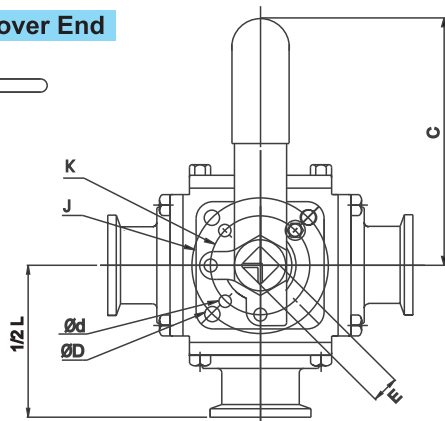
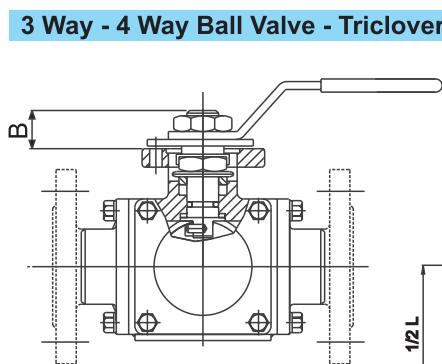


Dimensions :

(All Dimensions are in mm)

Valve Model	Valve Size		Screwed		Flanged 150#								Weight (Approx)	Flanged 300#									
	MM	Inch	L	Weight	L1	b	f	Port	Øg	ØD	ØJ	N		K:PCD	L1	b	f	Port	Øg	ØD	ØJ	N	K:PCD
SUZ-503-15	15	1/2"	104	2.250	151	8	2	13	34.9	88	4	15.9	60.3	4.440	160	12.7	2	13	34.9	95	15.9	4	66.7
SUZ-503-20	20	3/4"	112	3.050	165	8.9	2	19	42.9	98	4	15.9	69.9	5.800	177	14.3	2	19	42.9	115	19.05	4	82.6
SUZ-503-25	25	1"	130	4.350	192	9.6	2	25	50.8	110	4	15.9	79.4	7.650	202	15.9	2	25	50.8	125	19.05	4	88.9
SUZ-503-32	32	1.1/4"	141	5.050	211	11.2	2	32	63.5	115	4	15.9	88.9	—	208	17.5	2	32	63.5	135	19.05	4	98.4
SUZ-503-40	40	1.1/2"	159	10.100	218	12.7	2	38	73	125	4	15.9	98.4	15.600	234	19.1	2	38	73	155	22.2	4	114.3
SUZ-503-50	50	2"	192	16.500	253	14.3	2	49	92.1	150	4	19.05	120.7	26.450	274	20.7	2	49	92.1	165	19.05	8	127
SUZ-503-65	65	2.1/2"	297	—	295	15.9	2	64	104.8	180	4	19.05	139.7	35.200	300	23.9	2	62	104.8	190	22.2	8	149.2
SUZ-503-80	80	3"	304	—	306	17.5	2	76	127	190	4	19.05	152.4	46.300	327	27	2	74	127	210	22.2	8	168.3
SUZ-503-100	100	4"	324	—	371	22.3	2	98	157.2	230	8	19.05	190.5	80.050	395	30.2	2	100	157.2	255	22.2	8	200
SUZ-503-125	125	5"	—	—	—	22.3	2	125	185.7	255	8	22.2	215.9	82.100	—	33.4	2	125	185.7	280	22.2	8	235
SUZ-503-150	150	6"	—	—	428	23.9	2	150	215.9	280	8	22.2	241.3	—	468	35	2	150	215.9	320	22.2	12	269.9

3 Way - 4 Way Ball Valve - Triclover End



Dimensions :

(All Dimensions are in mm)

Valve Model	Valve Size		A	B	C	Ed	ED	H1	K	J	E	Port	L
	MM	Inch											
SUZ - 503 T 15	15	1/2"	41	11	125	6.0	0.6	67.0	36	42	9	12.5	133
SUZ - 503 T 20	20	3/4"	49	14	160	6.0	7.1	80.8	42	50	11	17	140
SUZ - 503 T 25	25	1"	55	14	160	6.0	7.1	87.5	42	50	11	22	160
SUZ - 503 T 40	40	1.1/2"	74	18	205	7.1	9.2	114	50	70	14	35	183
SUZ - 503 T 50	50	2"	93	23	325	9.2	11.4	140	70	102	17	47	217
SUZ - 503 T 65	65	2.1/2"	73.5	25	-	-	11.5	250	-	102	22	-	-
SUZ - 503 T 80	80	3"	81.5	25	-	-	11.5	285	-	102	22	-	-
SUZ - 503 T 100	100	4"	99.5	25	-	-	11.5	330	-	102	22	-	-

"aira" offers Gear Operated "Three Way - Four Way" Design SAND CASTING CF8 / CF8M / WCB Ball Valve, engineered for multiple Diverting / Mixing Operations in the down stream. TYPE : "T" . PORT / "L" / "X".



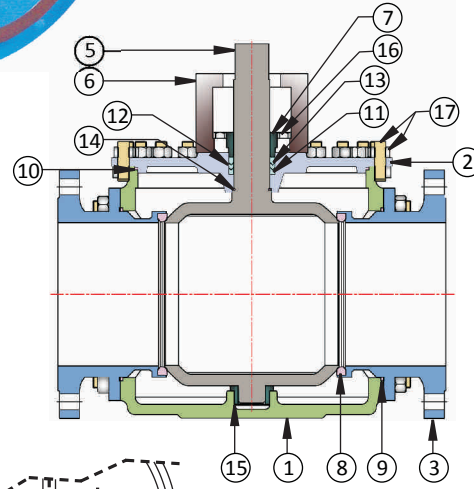
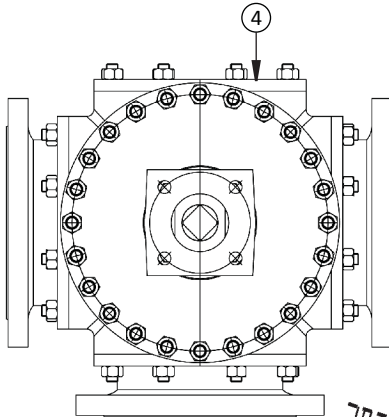
**Size Range : 8" to 12" Flange End**

**Standard**

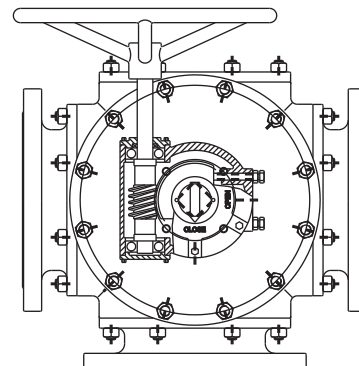
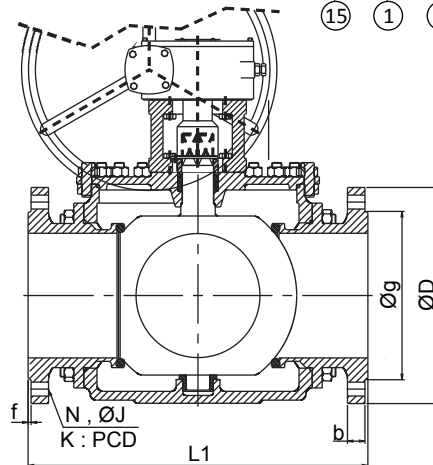
Design And Manufacturing : ASME B 16.34 / API 6D  
 Valve Face To Face Dimension : As Per Manufacturer  
 Flange Standard Conformity : ASME B 16.5 Class 150, 300  
 Inspection & Testing : API 598 / FCI - 702 / BS EN 12266 - 1

**TECHNICAL SPECIFICATION**

PRESSURE	ASME 150 / ASME 300 PN 16, PN 25, PN 40
TEMPERATURE	-25°C TO 180 °C



No.	Description	Material
1	Body	WCB / CF8 / CF8M
2	Top Cover	WCB / CF8 / CF8M
3	Flange End	WCB / CF8 / CF8M
4	Blind End	WCB / CF8 / CF8M
5	Ball	CF8 / CF8M
6	Bracket	CF8 / CF8M
7	Gland	CF8 / CF8M
8	Ball Seat	PTFE / CFT / GFT / PEEK
9	Body Gasket	PTFE
10	Top Cover Gasket	PTFE
11	Base Seal	PTFE
12	U - Seal	PTFE
13	V - Seal	PTFE
14	'O' - Ring	Viton
15	Bush	CFT / PTFE
16	Bracket & Gland Fitting Bolt	M. S. / S.S.
17	Fitting Stud + Nut	M. S.



**Dimensions :**

(All Dimensions are in mm)

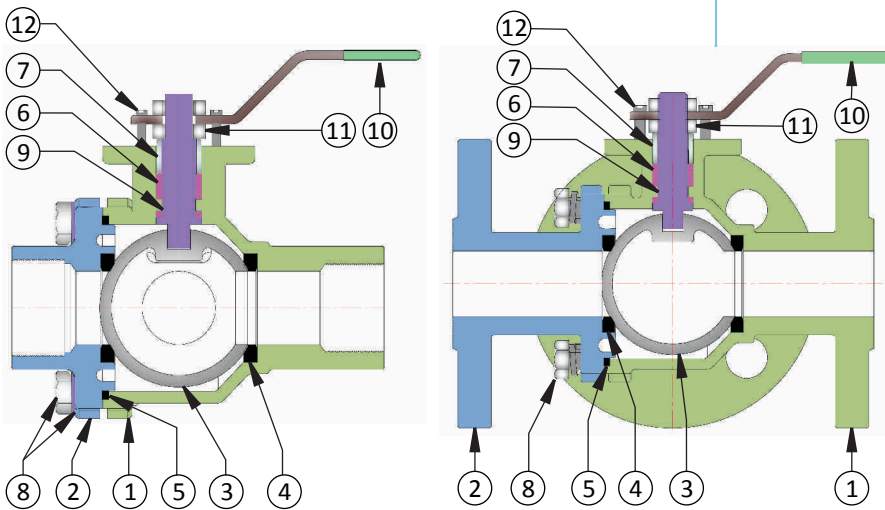
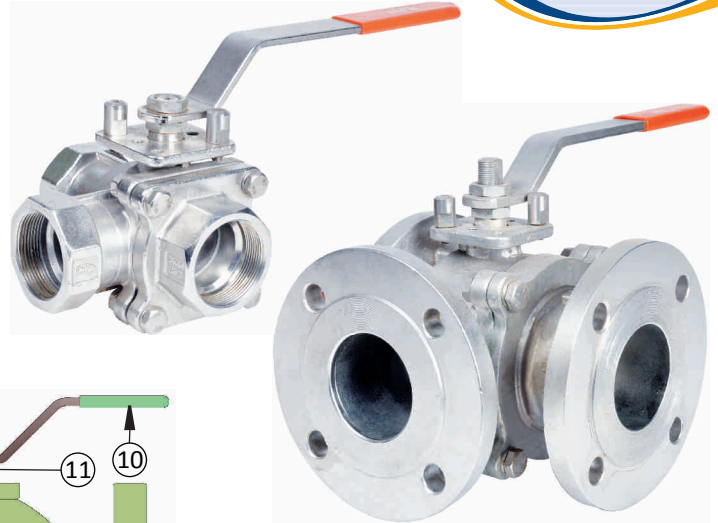
Valve Model	Valve Size		L1	ØD	b	Øg	f	ØJ	N	PCD
	MM	Inch								
SUZ-403-F-200	200	8"	538	345	27	269.9	2	22.2	8	298.5
SUZ-403-F-250	250	10"	662	405	28.6	323.8	2	25.4	12	362.00
SUZ-403-F-300	300	12" (R/Bore)	662	485	30.2	381	2	25.4	12	431.8

"aira" offers Hand Lever & Gear Operated Investment Casting WCB / CF8 / CF8M in 2 Piece Design  
"C" Way Ball Valve - engineered for multiple ON / OFF operations in the down steam.

Size Range : 1" to 8"

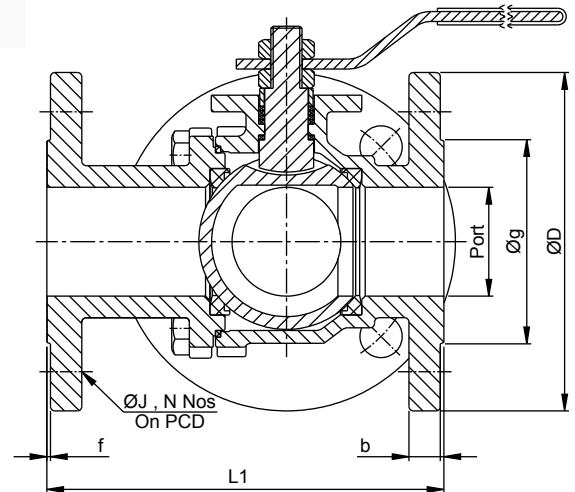
Standard

Design And Manufacturing : ASME B 16.34 / API 6D  
Valve Face To Face Dimension : ASME B 16.10  
Flange Standard Conformity : ASME B 16.5 Class 150,  
Inspection & Testing : API 598



TECHNICAL SPECIFICATION

PRESSURE	10 BAR ( 150# )
TEMPERATURE	180 °C
LEAKAGE CLASS	CLASS VI as per B 16.16-104
PORT	ONLY "L" PORT AVAILABLE
MEDIA	WATER, AIR, OIL & GAS



No.	Description	Material	Qty.
1	Body	WCB / CF8 / CF8M	1
2	Connection	WCB / CF8 / CF8M	1
3	Ball	CF8 / CF8M	1
4	Ball Seat	PTFE / CFT / GFT / TFM / PEEK	2
5	Body Seat	PTFE / CFT / GFT / TFM / PEEK	1
6	Stem Seat	PTFE / CFT / GFT / TFM / PEEK	5
7	Gland Bush	S.S. 304 / S.S. 316	1
8	Hex Bolt + Spring Washer	S.S. 304	4
9	Stem Pin	S.S. 304 / S.S. 316	1
10	Handle	M.S. / S.S.	1
11	Handle Nut	S.S. 304	2
12	Handle Stopper	S.S. / M.S.	2

Dimensions :

(All Dimensions are in mm)

Valve Model	Valve Size		Port	L1	ØD	b	Øg	f	ØJ	N	PCD	Weight (Approx.)	
	MM	Inch										S/E	F/E
CWP - 25	25	1"	25	127	110	9.6	50.8	2	15.9	4	79.4	1.180	3.800
CWP - 32	32	1.1/4"	32	140	115	11.2	63.5	2	15.9	4	88.9	2.230	4.200
CWP - 40	40	1.1/2"	38	165	125	12.7	73	2	15.9	4	98.4	2.660	6.640
CWP - 50	50	2"	49	178	150	14.3	92.1	2	19.05	4	120.7	5.560	10.200
CWP - 65	65	2.1/2"	62	190	180	15.9	104.8	2	19.05	4	139.7	8.750	14.000
CWP - 80	80	3"	74	203	190	17.5	127	2	19.05	4	152.4	11.200	18.120
CWP - 100	100	4"	100	305	230	22.3	157.2	2	19.05	8	190.5	----	33.100
CWP - 125	125	5"	127	356	255	22.3	185.7	2	22.2	8	215.9	----	75.400
CWP - 150	150	6"	150	394	280	23.9	215.9	2	22.2	8	241.3	----	180.200
CWP - 200	200	8"	201	600	345	27	269.9	2	22.2	8	298.5	----	200.000

"aira" offers Handle Operated FEP / PFA Lined Ball Valve, engineered for optimum solution to the Corrosive Application.



**Size Range : 1" to 4" Flange End**

**Standard**

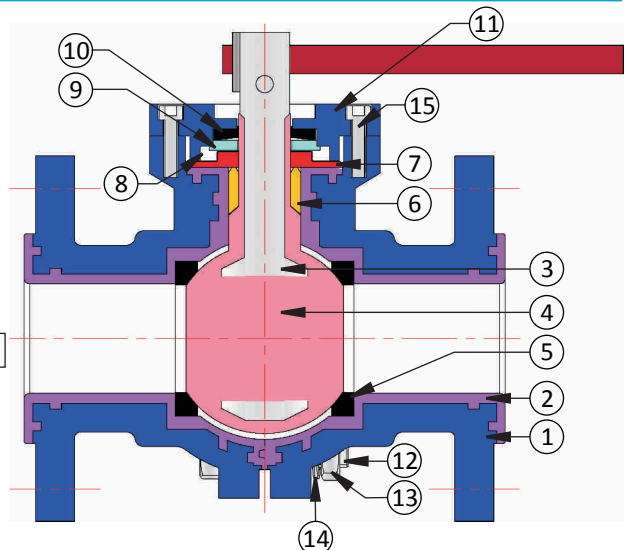
Design And Manufacturing : BSEN ISO 17292 : 2004 (BS 5351)  
 Valve Face To Face Dimension : ANSI B 16.10 / DIN 3202 / BSEN 558 - 1/2  
 Flange Standard Conformity : ASME B 16.5 150#  
 Inspection & Testing : BS EN 12266 - 1 & 2 (2003)  
 Top Flange Drilling : ASA 150# / DIN 2632 & 2633 / BSEN 10 Table D, E, F ( Customer Specified )

**PRESSURE / TEMPERATURE RATING**

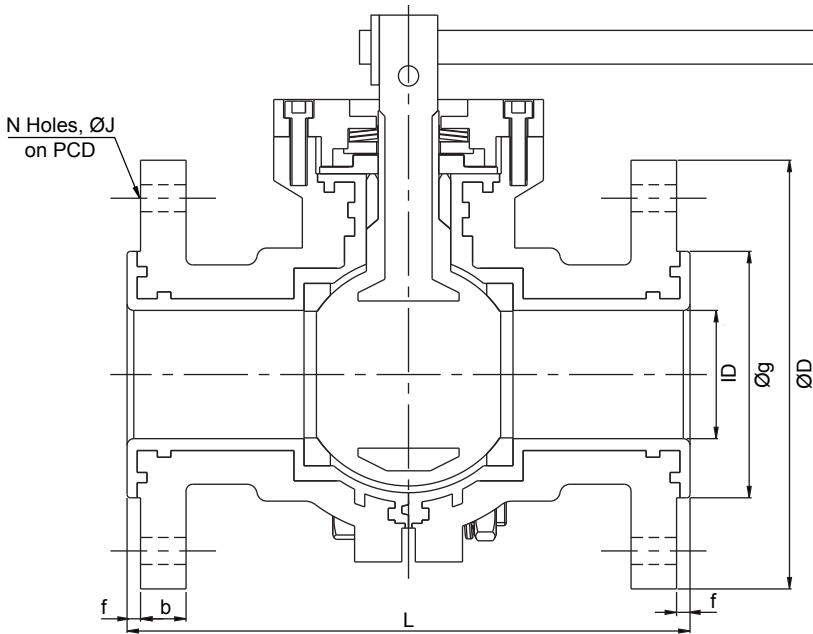
PRESSURE	150#
TEMPERATURE FEP	180 °C
TEMPERATURE PFA	230 °C

**TEST PRESSURE**

TESTING	BODY	SEAT
HYDRAULIC	20 KG/CM <sup>2</sup>	11 KG/CM <sup>2</sup>
PNEUMATIC SEAT PRESSURE		6 KG/CM <sup>2</sup>
SPARK TEST - 15 KV D. C.		



No.	Description	Material
1	Body	WCB / D.I. / C.I. / SS 304 SS 316
2	Body Molding	FEP / PFA
3	Ball with Shaft	WCB / SS 304
4	Ball Moulding	FEP / PFA
5	Ball Seal	PTFE
6	Shaft Bush	PTFE
7	Shaft Washer	PTFE
8	M.S. Shaft Washer	M. S.
9	Plain Washer	M. S.
10	Packing Washer	Spring Steel
11	Top Plate	M. S.
12	Bolt Plate	S. S.
13	Nut	S. S.
14	Washer	S. S.
15	L. N. Bolt	S. S.



**Dimensions :**

(All Dimensions are in mm)

Valve Model	Valve Size		ID	L	ØD	Øg	b	f	N	ØJ	PCD
	MM	Inch									
FPLB - 25	25	1"	24	130.5	108	55	12.7	3.5	4	16.5	79
FPLB - 40	40	1.1/2"	38	167	127	73	13.5	3	4	15.5	98.2
FPLB - 50	50	2"	49	178	152.5	92	18	4	4	18.5	121
FPLB - 65	65	2.1/2"	61.8	206	177.75	104.5	21	4	4	19	140
FPLB - 80	80	3"	74	207	190	126	22	5.5	6	19	152.4
FPLB - 100	100	4"	94	226	228.5	158	22	5	6	19	190