

# Pneumatic Valves

ACCESSORIES & FITTINGS



## Features

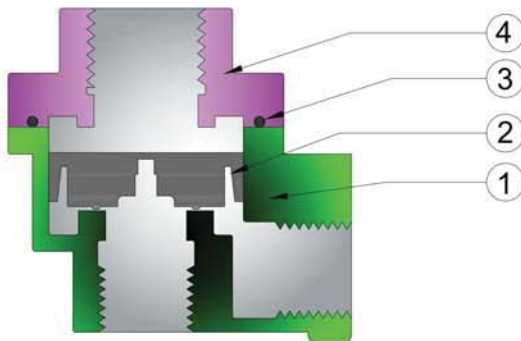
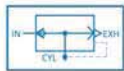
- ▶ **Body** : Aluminium, S.S., Brass, M.S., Brass Nickle Pl
- ▶ **Size** : 1/8" to 1" (BSP / NPT )
- ▶ **Seals** : NBR / Nitrile
- ▶ **Pressure** : Upto 10 Kg/cm<sup>2</sup>
- ▶ **Temp.** : Upto 85 °C





ated

## Quick Exhaust Valve



### Features

- ▶▶ Light Weight & Compact Design
- ▶▶ Made of Aluminum Die Cast Body with Powder Coating
- ▶▶ Large internal air pressure exhaust air quickly for top speed operation.
- ▶▶ Long operating life
- ▶▶ can be fitted directly to cylinder port with suitable connector

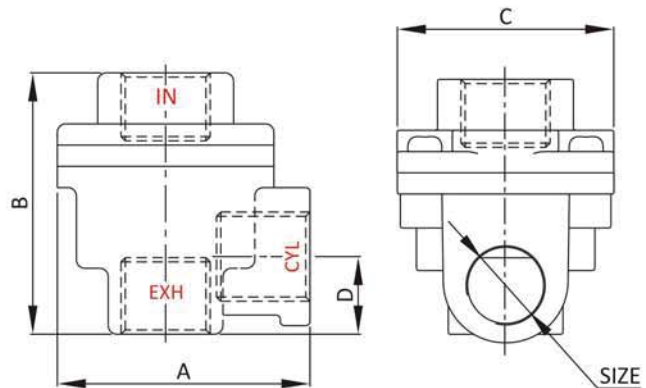
### Technical Specification

Model	AQEV - 1	AQEV - 2	AQEV - 3	AQEV - 4	AQEV - 5
Size	1/4"	3/8"	1/2"	3/4"	1"
Design	Diaphragm type,				
Pressure	10 Kg/cm <sup>2</sup>				
Temperature	80 °C				
Leakage	Bubble Tight				
Media	Compressed Air ( Filtered & Lubricated )				
Flow (NLPM) at 5 BAR (In to Cyl)	1150	1200	3500	7500	8500
Flow (NLPM) at 5 BAR (Cyl to Exh.)	1500	1550	4500	10500	11500
Weight (Kgs.)	0.080	0.200	0.180	0.550	0.540

No.	Part Name	Material
1	Body	Aluminum Pressure Die Cast
2	Diaphragm	NBR
3	'O' Ring	NBR
4	Top Cover	Aluminum Pressure Die Cast

### Dimensions : (All Dimensions are in mm)

MODEL	SIZE	A	B	C	D
AQEV - 1	1/4"	46	43	38	10
AQEV - 2	3/8"	63	61.5	51	13
AQEV - 3	1/2"	63	61.5	51	13
AQEV - 4	3/4"	75	76	50	25
AQEV - 5	1"	75	76	50	25



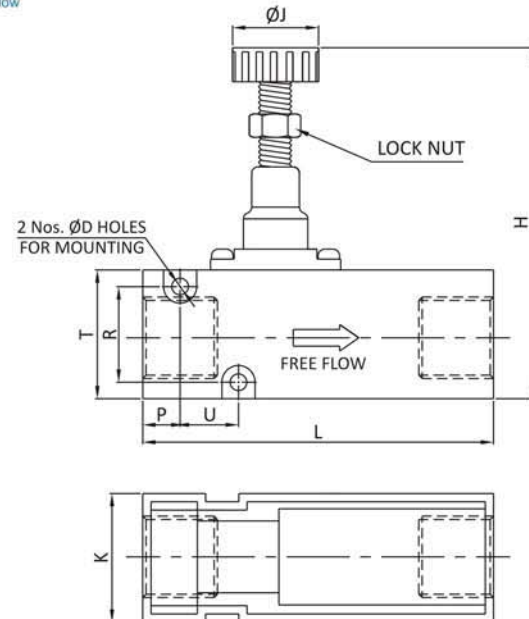
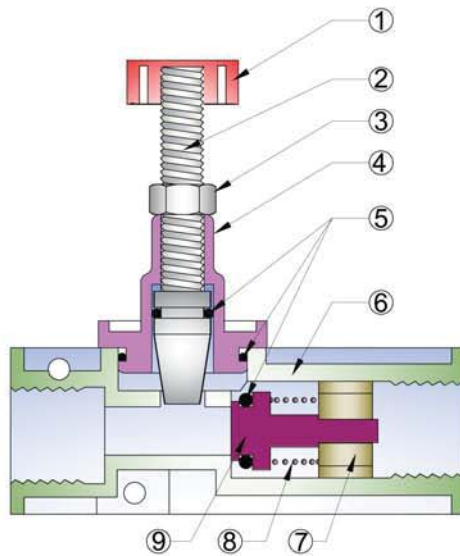
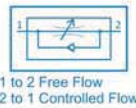
## Flow Control Valve

### Features

- ▶▶ Aluminum Pressure Die Cast Body
- ▶▶ Light Weight
- ▶▶ Universal Mounting Design
- ▶▶ Easy to Maintenance

### Technical Specification

Model	RMFCV - 1	RMFCV - 2	RMFCV - 3	RMFCV - 4	RMFCV - 5
Size	1/4"	3/8"	1/2"	3/4"	1"
Orifice	6.5	10	12.5	19	25
Design	Needle Type,				
Pressure	10 Kg/cm <sup>2</sup>				
Temperature	80 °C				
Leakage	Bubble Tight				
Media	Compressed Air ( Filtered & Lubricated )				
Flow (NLPM) at 5 BAR	1050	1250	3000	5000	9000
Weight (Kgs.)	0.110	0.120	0.230	1.480	1.080



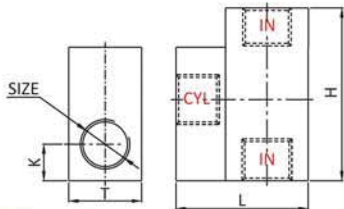
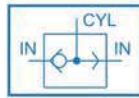
No.	Part Name	Material
1	Knob	Nylon
2	Needle Pin	Brass
3	Check Nut	Brass
4	Bonnet	Zinc Pressure Die Cast
5	'O' Ring	NBR
6	Body	Aluminum Pressure Die Cast
7	Stopper	Nylon / Polyacetal
8	Spring	S. Steel
9	Valve Pin	Polyacetal

### Dimensions :

(All Dimensions are in mm)

MODEL	SIZE	H	L	K	T	R	U	P	ØD	ØJ
RMFCV - 1	1/4"	68	61	26	25	17	9	7	4.3	21
RMFCV - 2	3/8"	68	61	25.5	25.5	---	---	---	---	21
RMFCV - 3	1/2"	83	84	31.5	31.5	23	13	9	4.3	25
RMFCV - 4	3/4"	93	105	38	38	29	16	13	5.3	35
RMFCV - 5	1"	125	117	50	50	38	24	10.5	6.5	45

## Shuttle Valve



**Dimensions :** (All Dimensions are in mm)

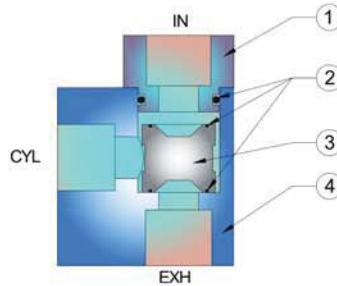
MODEL	SIZE	L	H	K	T
ASTV - 1	1/4"	47	38	15	25.5
ASTV - 3	1/2"	66	51	15.5	31.5

### Features

▶ Shuttle valve is a type of valve which allows fluids to flow through it from one of two inlet sources.

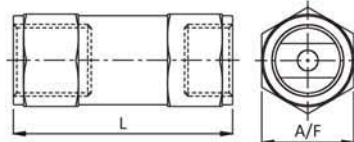
### Technical Specification

Model	ASTV - 1	ASTV - 4
Size	1/4"	1/2"
Orifice	6.5	12.5
Design	Piston / Poppet Type	
Pressure	10 Kg/cm <sup>2</sup>	
Temperature	80 °C	
Leakage	Bubble Tight	
Media	Compressed Air ( Filtered & Lubricated )	
Flow (NLPM) at 5 BAR	1100	2500
Weight (Kgs.)	0.110	0.220



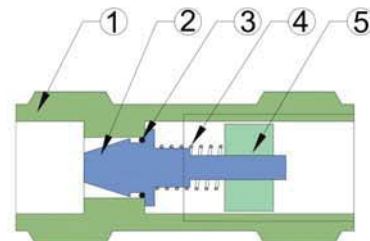
No.	Part Name	Material
1	Connector	Aluminum
2	'O' Ring	NBR
3	Piston	Aluminum with Rubber Moulded
4	Body	Aluminum Anodized

## Non Return Valve



### Technical Specification

Model	ANRV - 0	ANRV - 1	ANRV - 2	ANRV - 3
Size	1/8"	1/4"	3/8"	1/2"
Pressure	10 Kg/cm <sup>2</sup>			
Temperature	80 °C			
Leakage	Bubble Tight			
Media	Compressed Air ( Filtered & Lubricated )			



**Dimensions :** (All Dimensions are in mm)

MODEL	SIZE	L	A/F	Flow (NLPM) at 5 Bar	Weight (Kg.) Approx.
ANRV-0	1/8"	42	14	300	0.050
ANRV-1	1/4"	51	21	1100	0.040
ANRV-2	3/8"	61	22.5	1500	0.050
ANRV-3	1/2"	70	27	2500	0.080

No.	Part Name	Material
1	Body	Aluminum
2	Needle Pin	Aluminum
3	'O' Ring	NBR
4	Spring	S. S.
5	Nut	Nylon / Aluminum

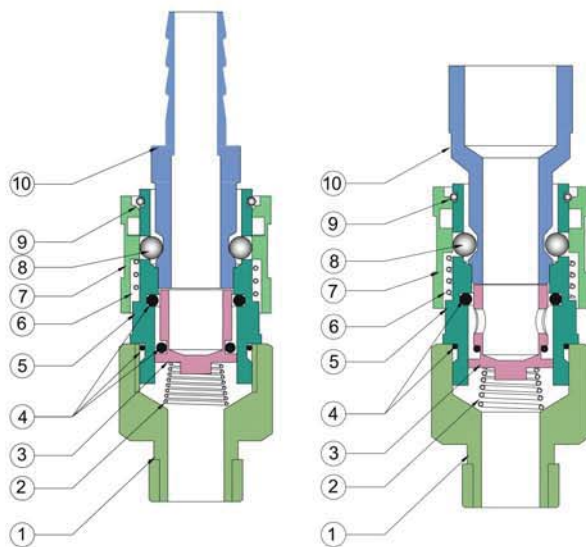
## Quick Release Coupling Single Shut Off (Single Check)

### Features

- ▶▶ Simple Design
- ▶▶ Steel Plated, Stainless Steel & Brass Materials are available
- ▶▶ Maintenance free & Long life
- ▶▶ Standard Seals
- ▶▶ Design for used in a wide range of applications.

### Technical Specification

Model	QR - S
Size	1/8" to 2"
Type	Single Check
Pressure	Refer to Technical Date
Temperature	Upto 85 °C (Upto 250 °C Available On Request)
Leakage	Bubble Tight
Ports	Male to Hose / Male to Female Female to Female / Male to Male
Media	Compressed Air / Water / Oil & Gas

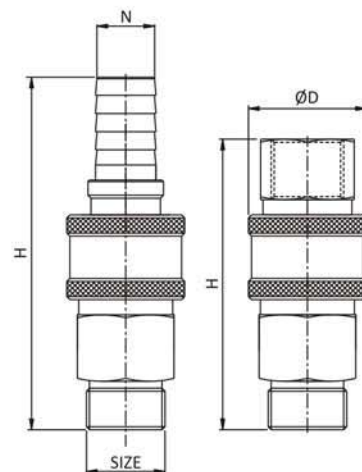


No.	Part Name	Material
1	Socket / Body	M. S. / Brass / S. S.
2	Spring	S. S.
3	Check Valve	Brass / S. S.
4	'O' Ring	NBR
5	Coupler	M. S. / Brass / S. S.
6	Spring	S. S.
7	Sleeve	M. S. / Brass / S. S.
8	Ball	S. S.
9	Lock Washer	S. S. / M. S.
10	Hose / Connector	M. S. / Brass / S. S.

### Dimensions :

(All Dimensions are in mm)

MODEL	SIZE	H		N	ØD	Press. PSI	Weight (Kg.) Approx.
		Hose	Female				
QR-S-4	1/8"	70	55	6.5	17	500	0.045
QR-S-6	1/4"	83	70	10	22	500	0.110
QR-S-10	3/8"	84	71	8	2	500	0.100
QR-S-15	1/2"	107	90	13	32	500	0.260
QR-S-20	3/4"	122	104	21	38	500	0.400
QR-S-25	1"	127	107	27	44.5	500	0.550



## Quick Release Coupling Double Shut Off (Double Check)

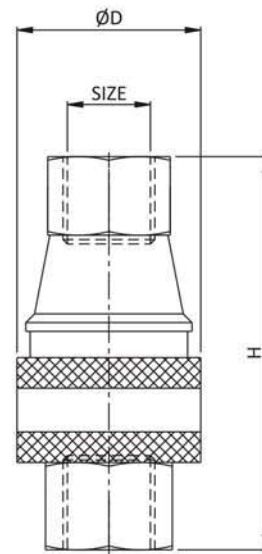
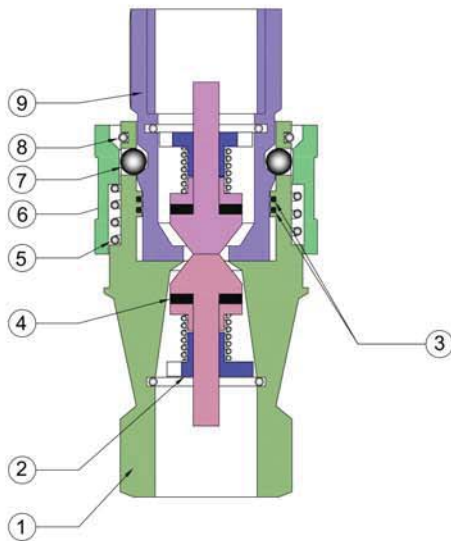


### Features

- ▶▶ Simple Design
- ▶▶ Steel Plated, Stainless Steel & Brass Materials are available
- ▶▶ Maintenance free & Long life
- ▶▶ Standard Seals
- ▶▶ Design for used in a wide range of applications.

### Technical Specification

Model	QR - D
Size	1/8" to 2"
Type	Double Check
Pressure	Refer to Technical Date
Temperature	Upto 85 °C (Upto 250 °C Available On Request)
Leakage	Bubble Tight
Ports	Female to Female
Media	Compressed Air / Water / Oil & Gas



No.	Part Name	Material
1	Socket / Body	M. S. / Brass / S. S. 304 / S. S. 316
2	Lock	S. S.
3	'O' Ring	NBR
4	Rubber Sheet	NBR
5	Spring	S. S.
6	Sleeve	M. S. / Brass / S. S.
7	Ball	S. S.
8	Lock Washer	S. S.
9	Hose / Connector	M. S. / Brass / S. S.

### Dimensions : (All Dimensions are in mm)

MODEL	SIZE	H	øD	Press. PSI	Weight (Kg.) Approx.
QR-D-4	1/8"	60	22	4000	0.075
QR-D-6	1/4"	73	28	4000	0.154
QR-D-10	3/8"	81	35	4000	0.255
QR-D-15	1/2"	92	42	3500	0.447
QR-D-20	3/4"	98	45	3000	0.533
QR-D-25	1"	112	55	2500	0.973
QR-D-40	1.1/2"	123	75	2000	2.000
QR-D-50	2"	128	77	2000	2.850

**[ APC ]**

**Male Connector**

4-M5	4-M6	4-O2 (1/8)	4-O2 (1/4)
6-M5	6-M6		
6-01 (1/8)	6-02 (1/4)	6-03 (3/8)	6-04 (1/2)
8-01 (1/8)	8-02 (1/4)	8-03 (3/8)	8-04 (1/2)
10-01 (1/8)	10-02 (1/4)	10-03 (3/8)	10-04 (1/2)
12-01 (1/8)	12-02 (1/4)	12-03 (3/8)	12-04 (1/2)
14-03 (3/8)	14-04 (1/2)		
16-02 (1/4)	16-03 (3/8)	16-04 (1/2)	

**[ APCF ]**

**Female Connector**

4-M5	4-M6	4-O2 (1/8)	4-O2 (1/4)
6-M5	6-M6		
6-01 (1/8)	6-02 (1/4)	6-03 (3/8)	6-04 (1/2)
8-01 (1/8)	8-02 (1/4)	8-03 (3/8)	8-04 (1/2)
10-01 (1/8)	10-02 (1/4)	10-03 (3/8)	10-04 (1/2)
12-01 (1/8)	12-02 (1/4)	12-03 (3/8)	12-04 (1/2)
14-03 (3/8)	14-04 (1/2)		
16-02 (1/4)	16-03 (3/8)	16-04 (1/2)	

**[ APL ]**

**Male Elbow**

4-M5	4-M6	4-O2 (1/8)	4-O2 (1/4)
6-M5	6-M6		
6-01 (1/8)	6-02 (1/4)	6-03 (3/8)	6-04 (1/2)
8-01 (1/8)	8-02 (1/4)	8-03 (3/8)	8-04 (1/2)
10-01 (1/8)	10-02 (1/4)	10-03 (3/8)	10-04 (1/2)
12-01 (1/8)	12-02 (1/4)	12-03 (3/8)	12-04 (1/2)
14-03 (3/8)	14-04 (1/2)		
16-02 (1/4)	16-03 (3/8)	16-04 (1/2)	

**[ APB ]**

**Male Tee**

4-M5	4-M6	4-O2 (1/8)	4-O2 (1/4)
6-M5	6-M6		
6-01 (1/8)	6-02 (1/4)	6-03 (3/8)	6-04 (1/2)
8-01 (1/8)	8-02 (1/4)	8-03 (3/8)	8-04 (1/2)
10-01 (1/8)	10-02 (1/4)	10-03 (3/8)	10-04 (1/2)
12-01 (1/8)	12-02 (1/4)	12-03 (3/8)	12-04 (1/2)
14-03 (3/8)	14-04 (1/2)		
16-02 (1/4)	16-03 (3/8)	16-04 (1/2)	

**[ APWT ]**

**Male Y**

4-M5	4-M6	4-O2 (1/8)	4-O2 (1/4)
6-M5	6-M6		
6-01 (1/8)	6-02 (1/4)	6-03 (3/8)	6-04 (1/2)
8-01 (1/8)	8-02 (1/4)	8-03 (3/8)	8-04 (1/2)
10-01 (1/8)	10-02 (1/4)	10-03 (3/8)	10-04 (1/2)
12-01 (1/8)	12-02 (1/4)	12-03 (3/8)	12-04 (1/2)
14-03 (3/8)	14-04 (1/2)		
16-02 (1/4)	16-03 (3/8)	16-04 (1/2)	

**[ ASC ]**

**Male Flow Control**

4-M5	4-M6	4-O2 (1/8)	4-O2 (1/4)
6-M5	6-M6		
6-01 (1/8)	6-02 (1/4)	6-03 (3/8)	6-04 (1/2)
8-01 (1/8)	8-02 (1/4)	8-03 (3/8)	8-04 (1/2)
10-01 (1/8)	10-02 (1/4)	10-03 (3/8)	10-04 (1/2)
12-01 (1/8)	12-02 (1/4)	12-03 (3/8)	12-04 (1/2)
14-03 (3/8)	14-04 (1/2)		
16-02 (1/4)	16-03 (3/8)	16-04 (1/2)	

**[ APE ]**

**Equal Tee**

4	6	8
10	12	14
16		

**[ APU ]**

**Straight Union**

4	6	8
10	12	14
16		

**[ APV ]**

**Equal Elbow**

4	6	8
10	12	14
16		

**[ APY ]**

**Equal Y**

4	6	8
10	12	14
16		

**[ APM ]**

**Bulkhead Union**

4	6	8
10	12	14
16		

**[ APZA ]**

**Equal Cross Union**

4	6	8
10	12	14
16		

**[ APG ]**

**Reducer Straight Union**

6-4	8-6	10-06
10-08	12-08	12-10
14-12	16-14	

**[ APW ]**

**Reducer Y**

6-4	8-6	10-06
10-08	12-08	12-10
14-12	16-14	

**PTFE Sealing Tap**

12 mm Weight  
0.1 mm Thickness  
10 Meter Length

**[ PEG ]**

**Reducer Tee**

6-4	8-6	10-06
10-08	12-08	12-10
14-12	16-14	

**[ PKG ]**

**Reducer Junction**

6-4	8-6	10-06
10-08	12-08	12-10
14-12	16-14	

**[ APK ]**

**Equal Junction**

4	6	8
10	12	14
16		

**[ PEG ]**

**Reducer Tee**

6-6-8	8-8-10	8-8-12
10-10-12		

## Air Blow Gun

### Technical Specification

Model	AR - TS
Size	1/4"
Pressure	Upto 12 Kg/cm <sup>2</sup>
Leakage	Bubble Tight
Media	Compressed Air



Note : Since, constant worldwide advancement in technology, We keep our rights reserved to make changes time to time in Technical Specification and Dimensions without prior notice.

